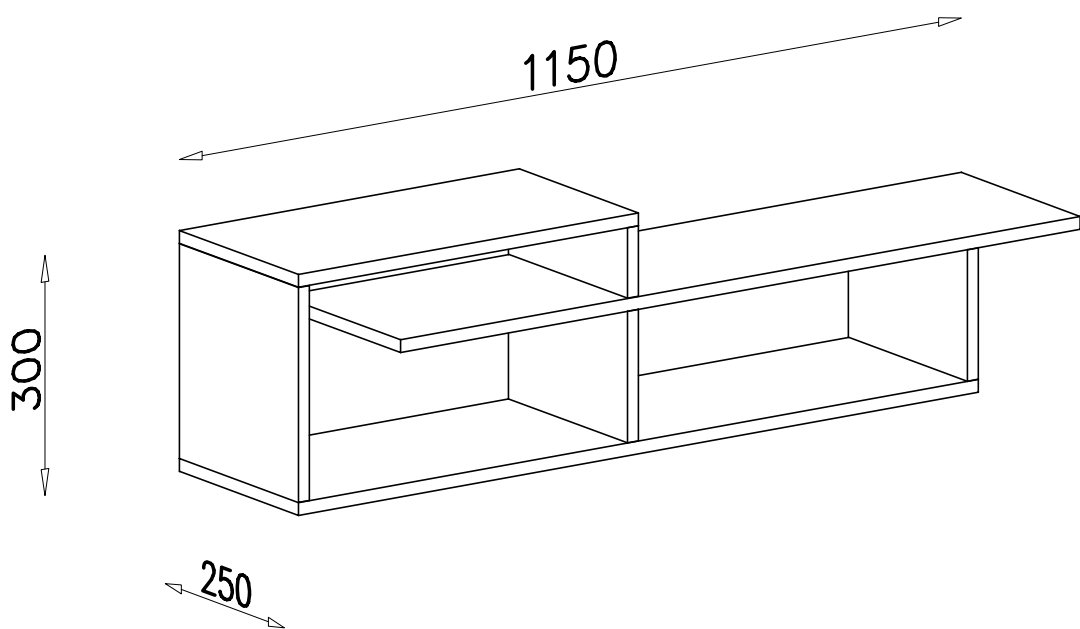
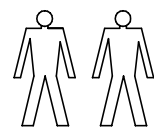
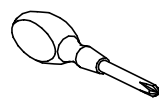
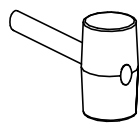
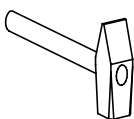
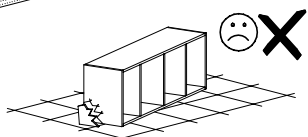
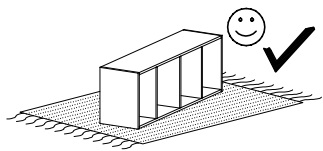
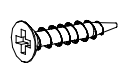


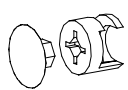
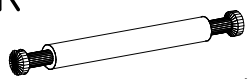
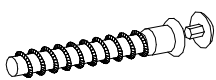

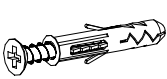

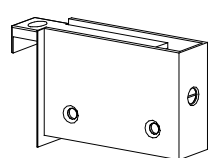
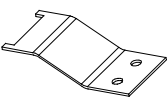
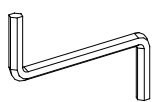
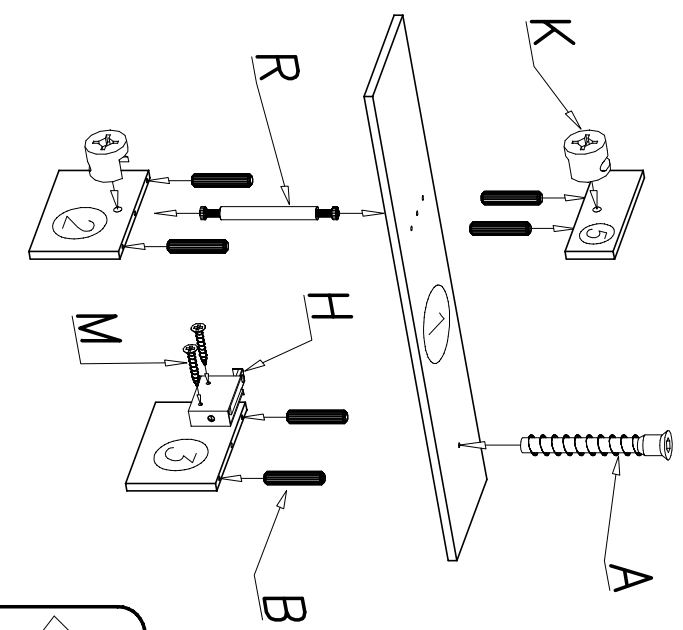


# TABLO TA 11

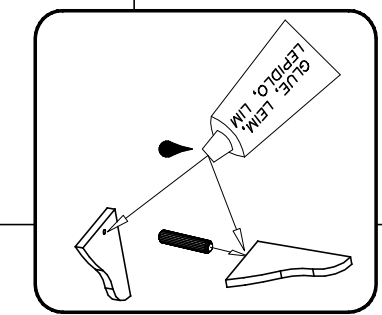
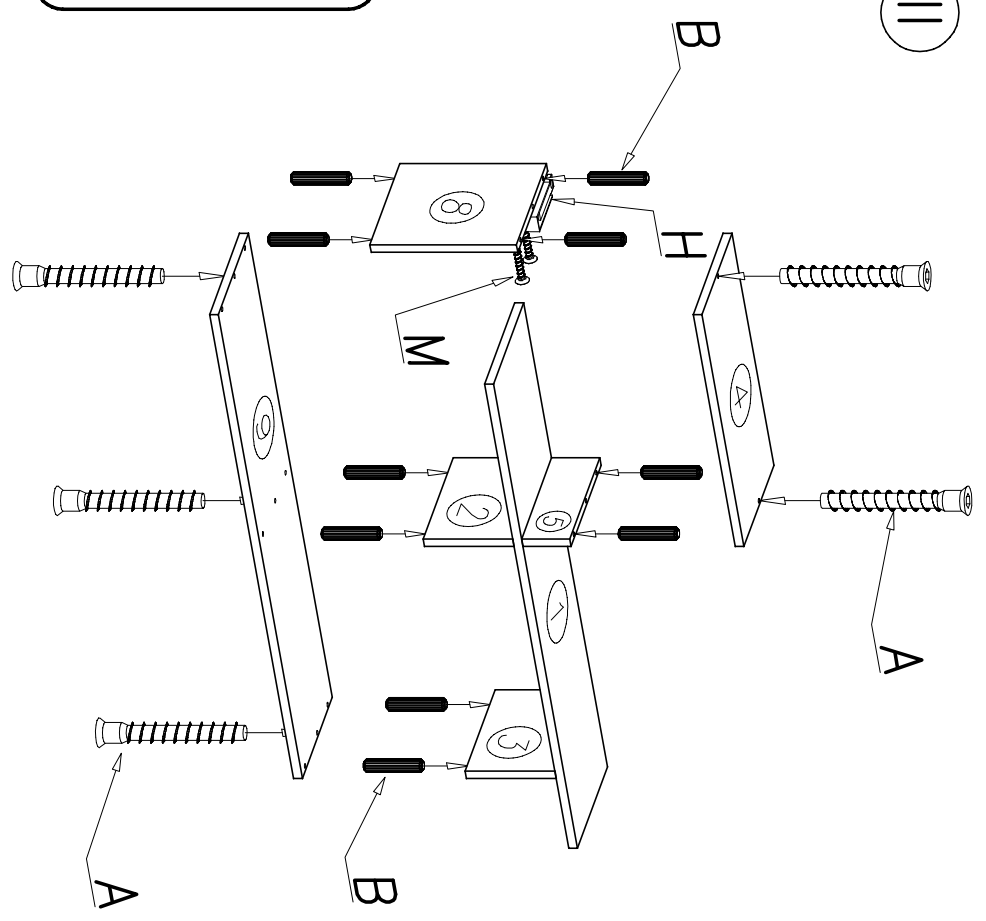


<b>E</b>  3 x 20 x30	<b>W</b>  GLUE KLEJ x1	<b>O</b>  x1	<b>K</b>  x2	<b>R</b>  x1
<b>A</b>  x6	<b>B</b>  x16	<b>G</b>  x4	<b>M</b>  4 x 30 x4	<b>H</b>  x2
		<b>K</b>  x2	<b>Z</b>  x1	

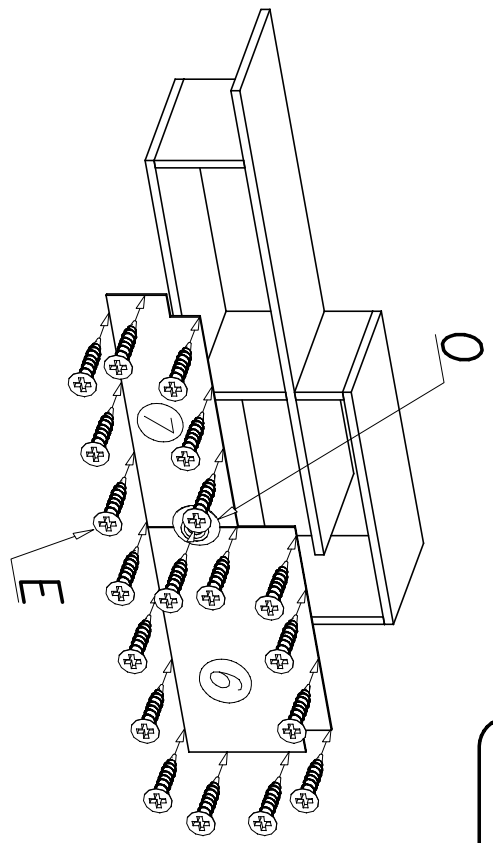
I



II



III



IV

