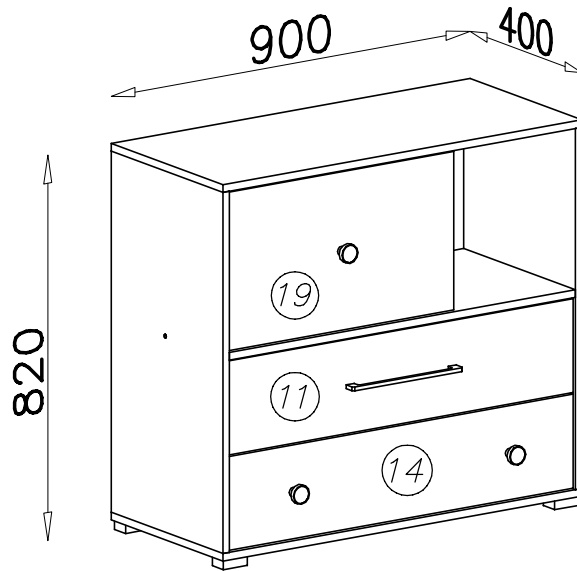
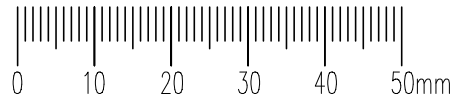
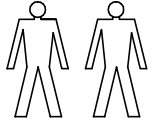
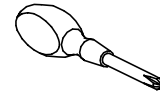
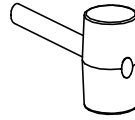
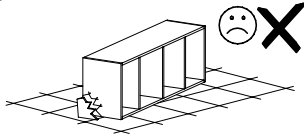
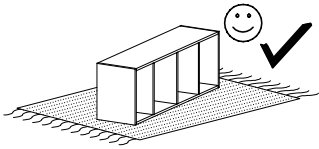


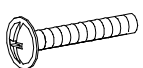





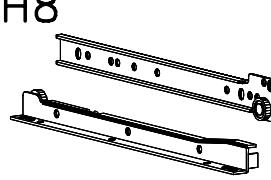
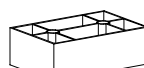
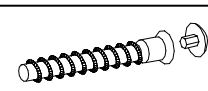
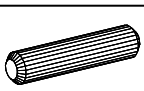
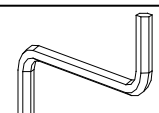
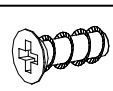
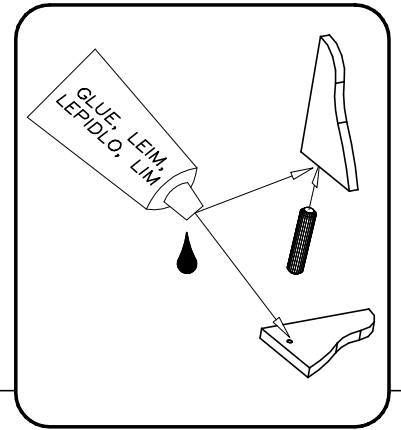
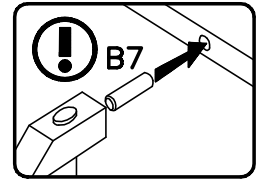
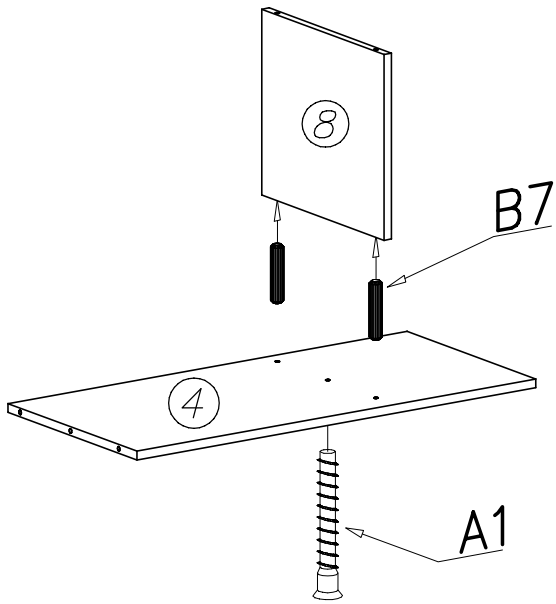


STEP ST 6

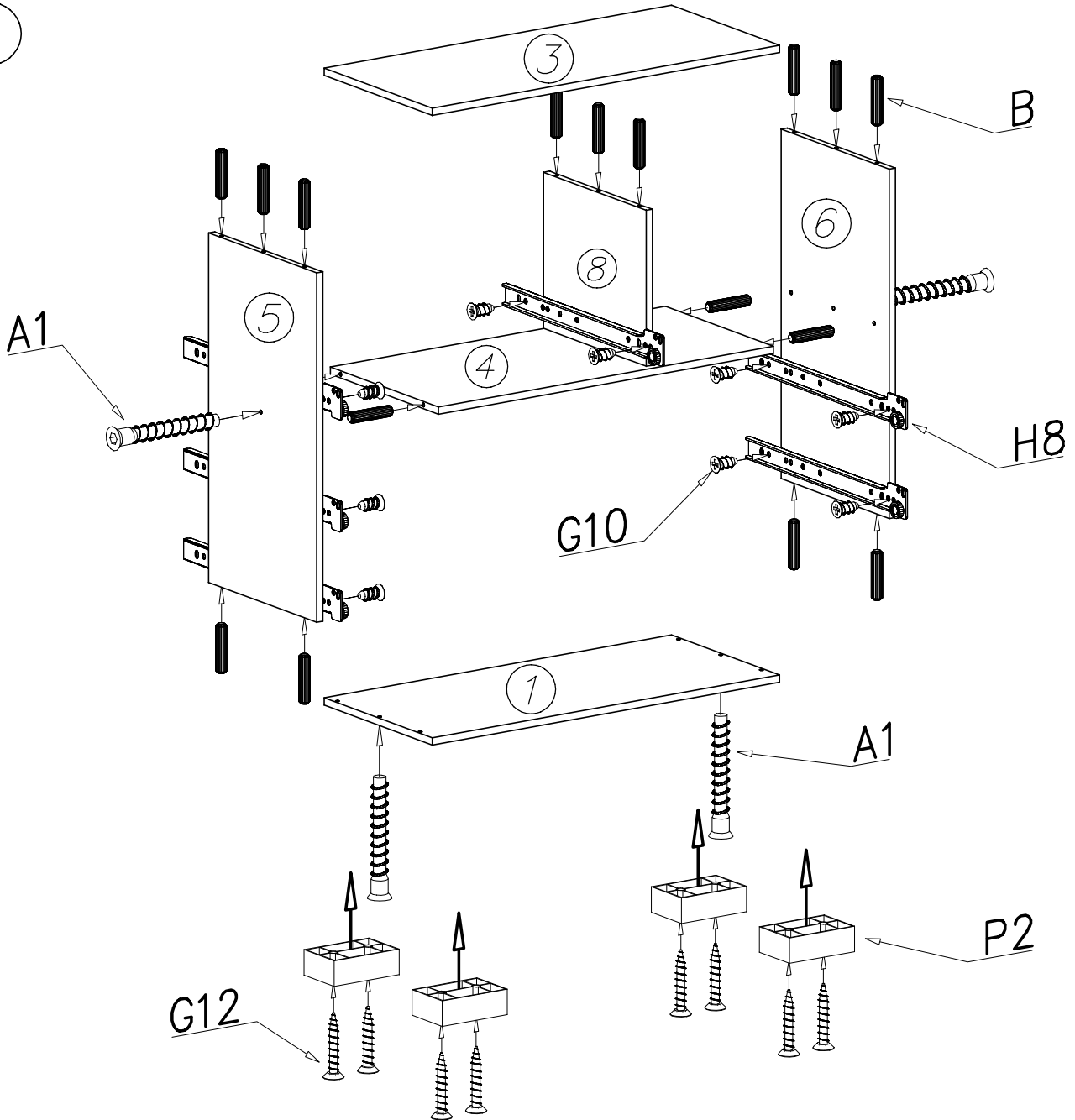


E7  x1	W1  GLUE, LEIM, LEPIDLO, LIM x2	N13  M4x22 x5	S2  x6	G12  3,5x25 x8
E8  x3	G4  4x16 x18	G2  3x20 x45	H8  350mm x3	P2  x4
A1  ø7x50 x5	B7  ø8x30 x43	W2  x1	G10  6x13 x12	

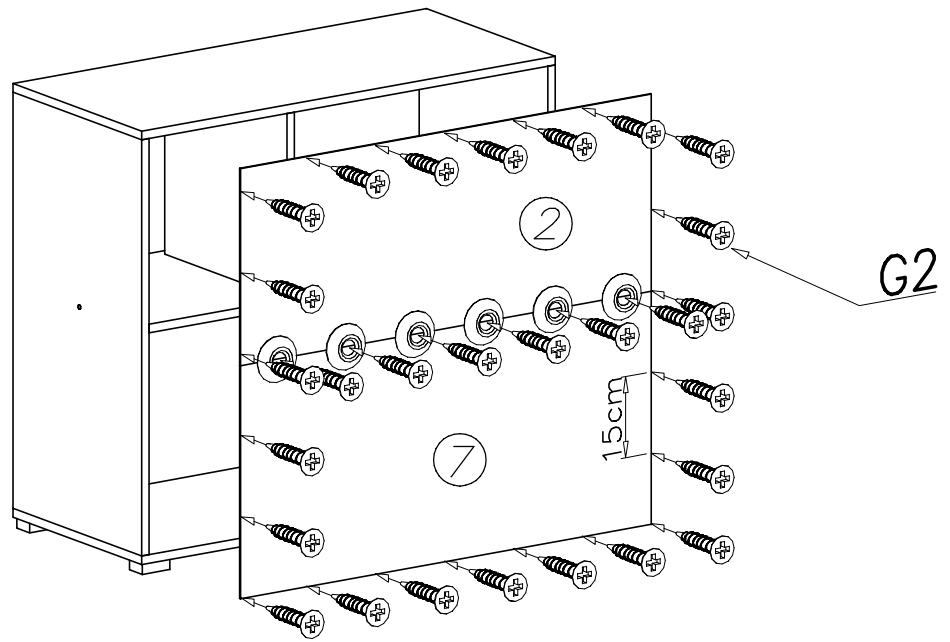
I



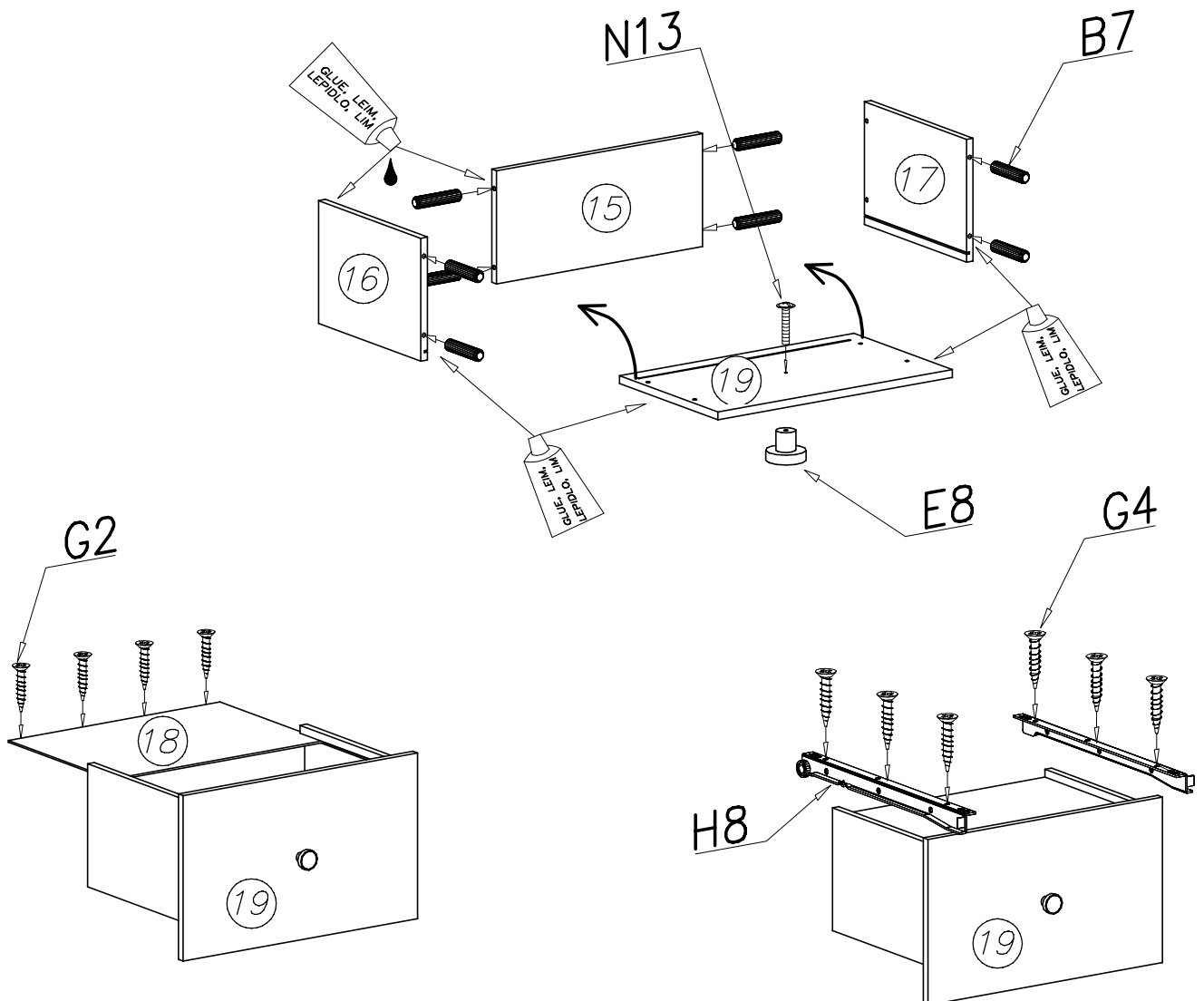
II



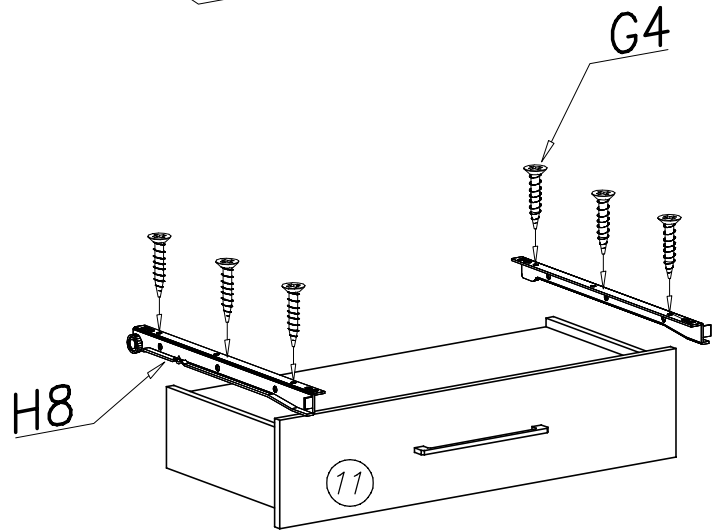
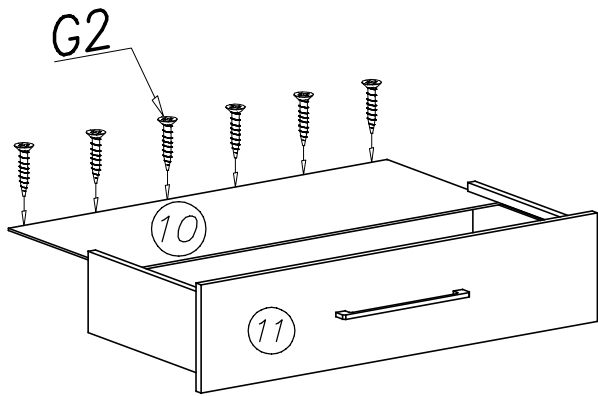
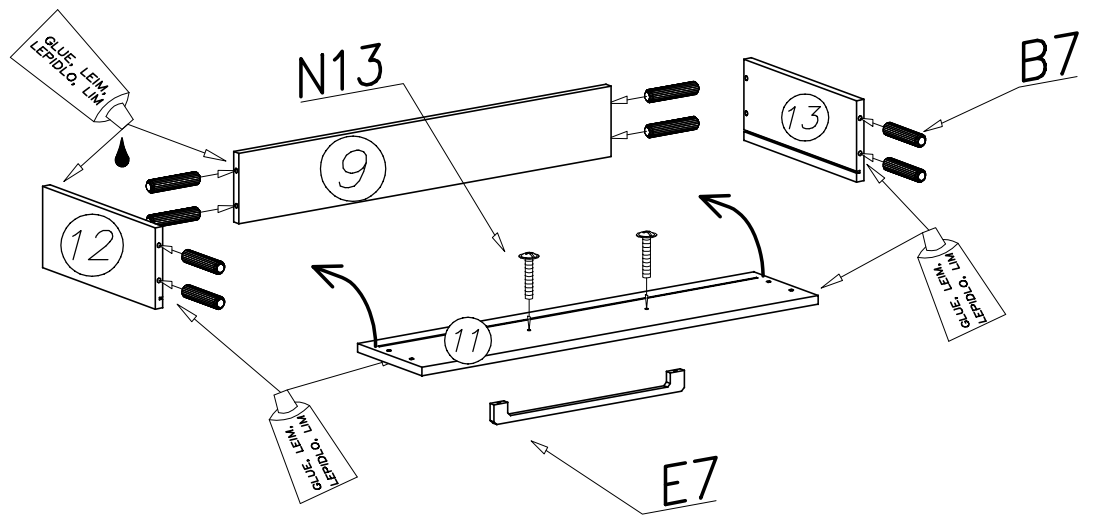
III



IV



V



VI

