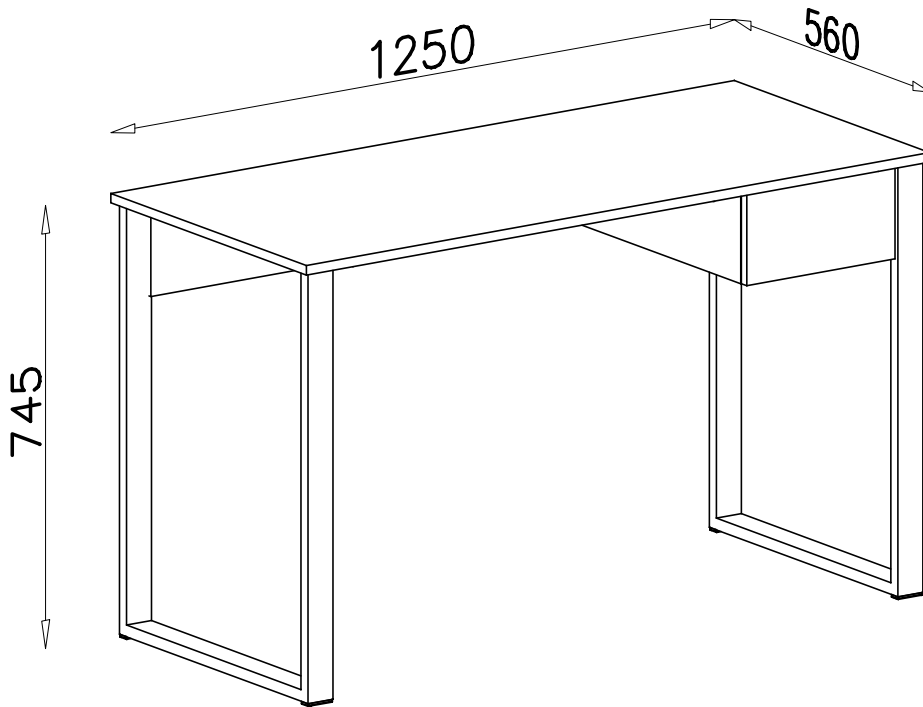
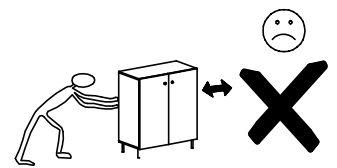
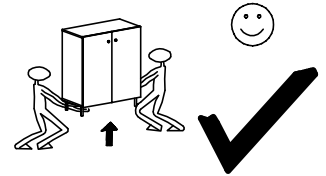
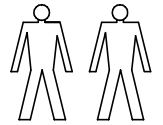
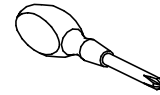
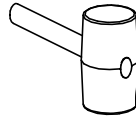
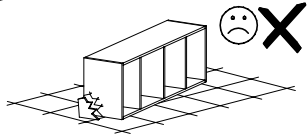
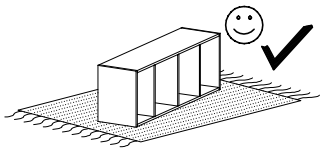


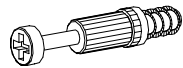




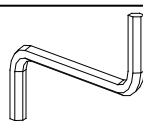

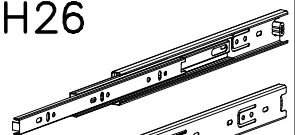



SERGIO SE 9

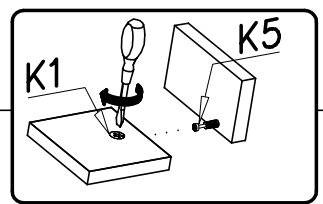
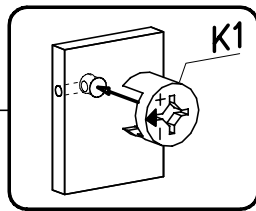
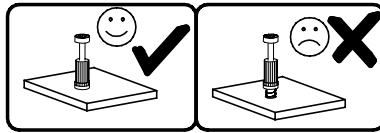
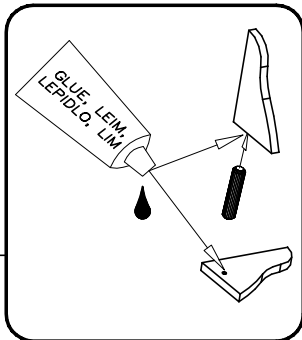
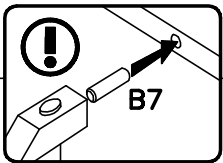
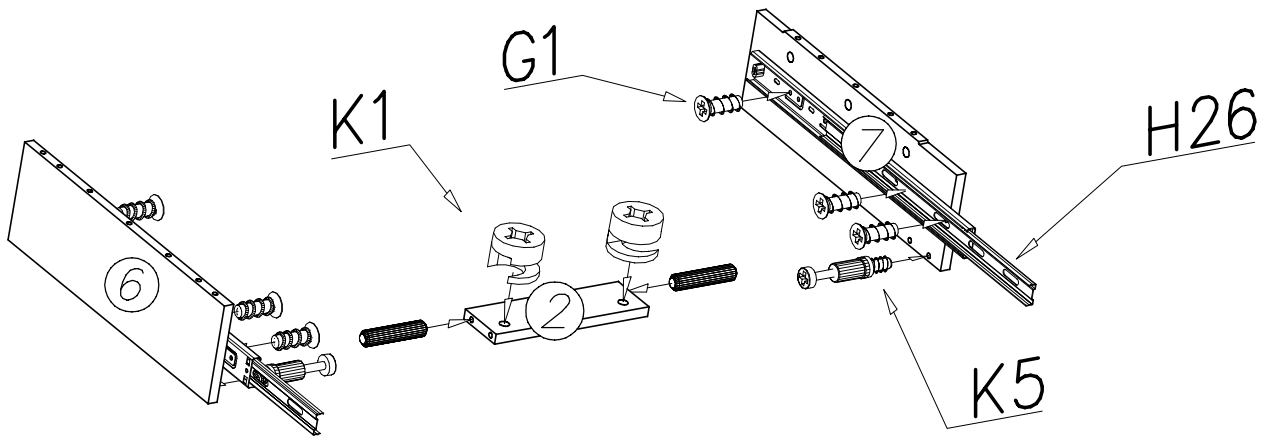
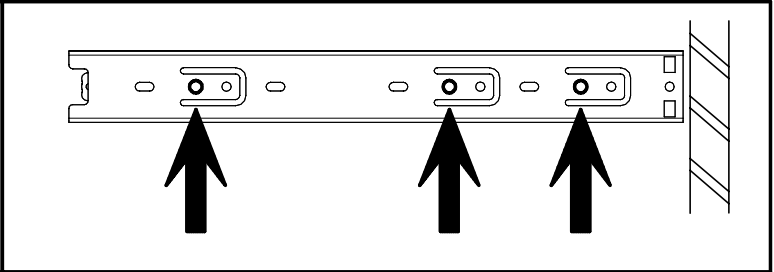
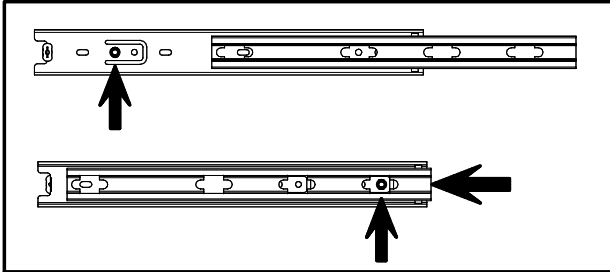


W6  GLUE, LEIM, LEPIDLO, LIM x1	I7  ø18 x16	K5  x16	W1  6x16 x16	B  x4
G2  3x20 x3	B7  ø8x30 x17	W2  x1	K1  ø15x12 x16	H26  400mm x1
			G1  4x13 x10	

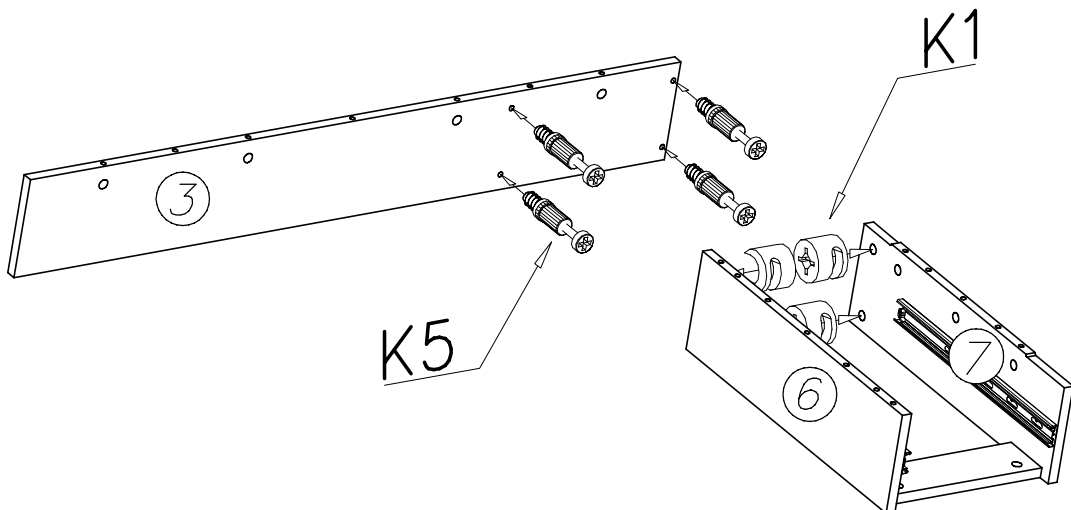
I

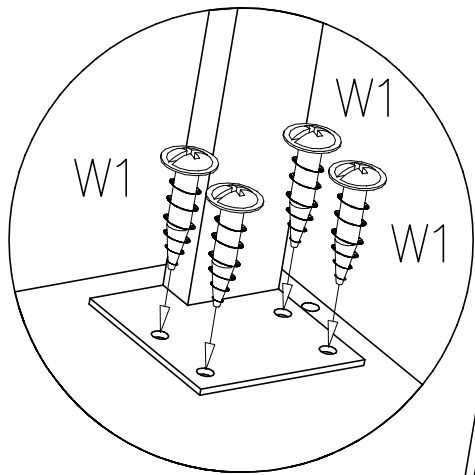
A

B

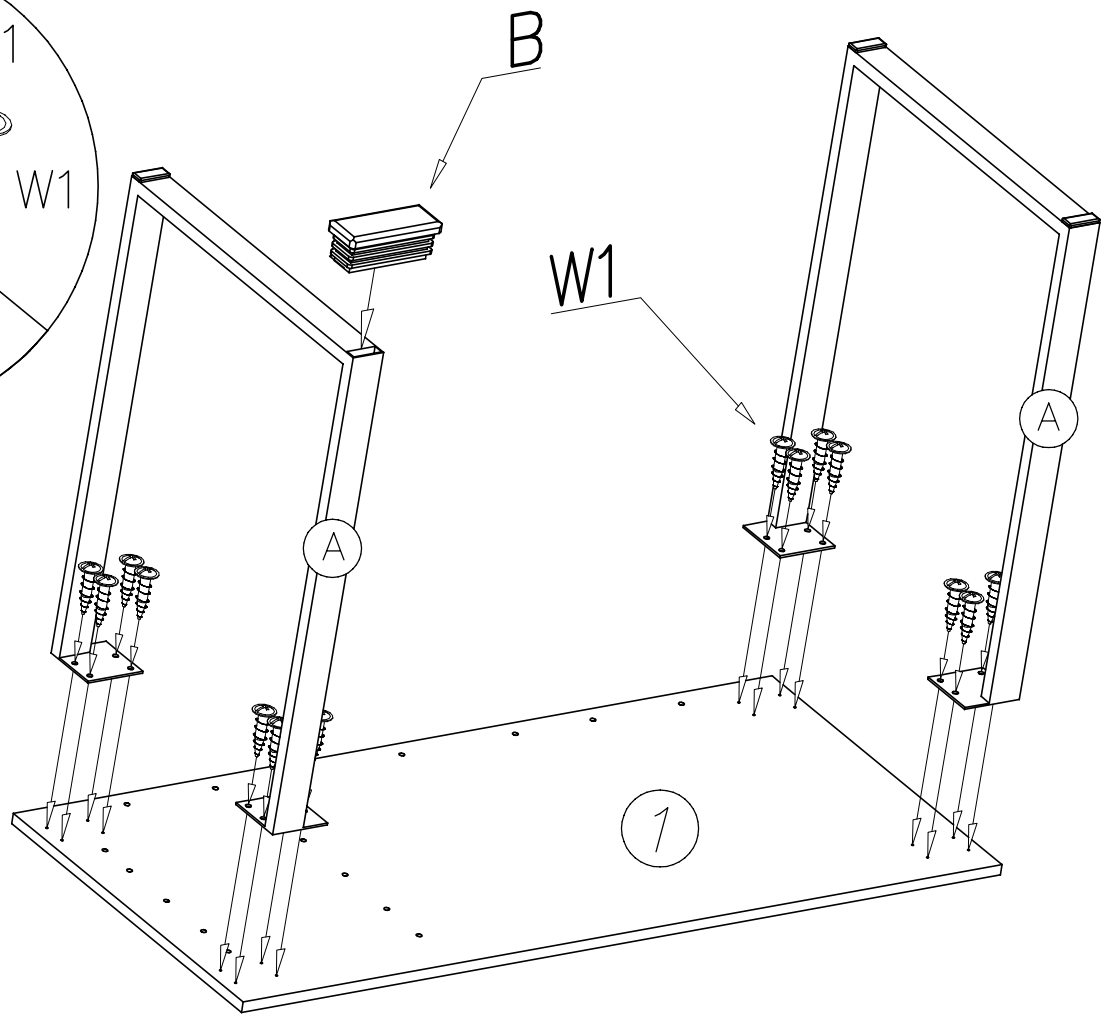


II

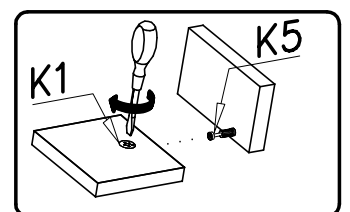
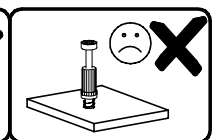
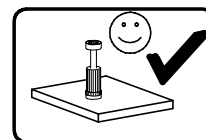
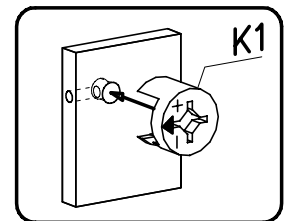
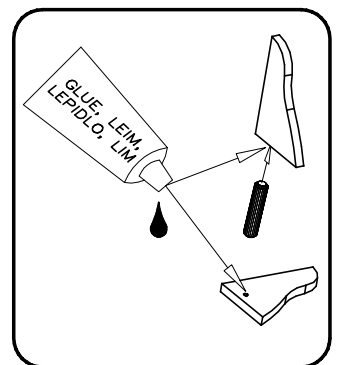
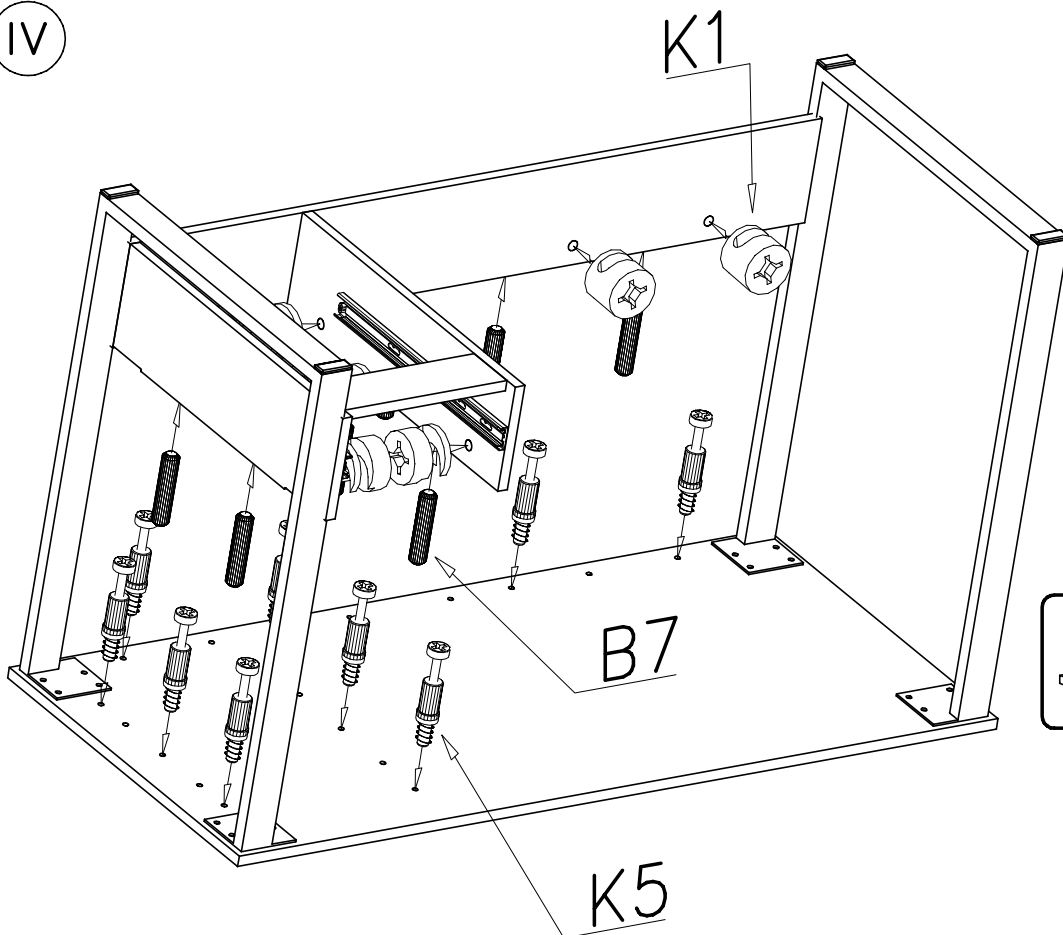




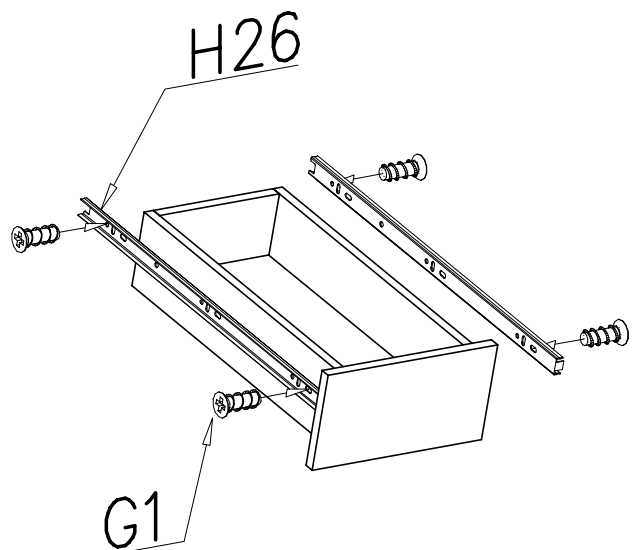
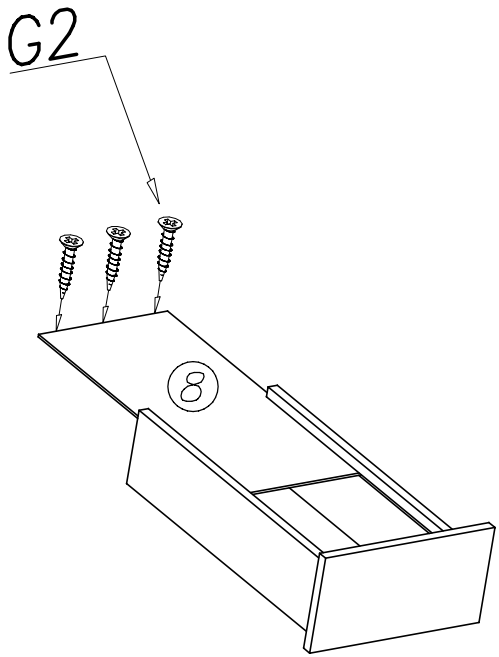
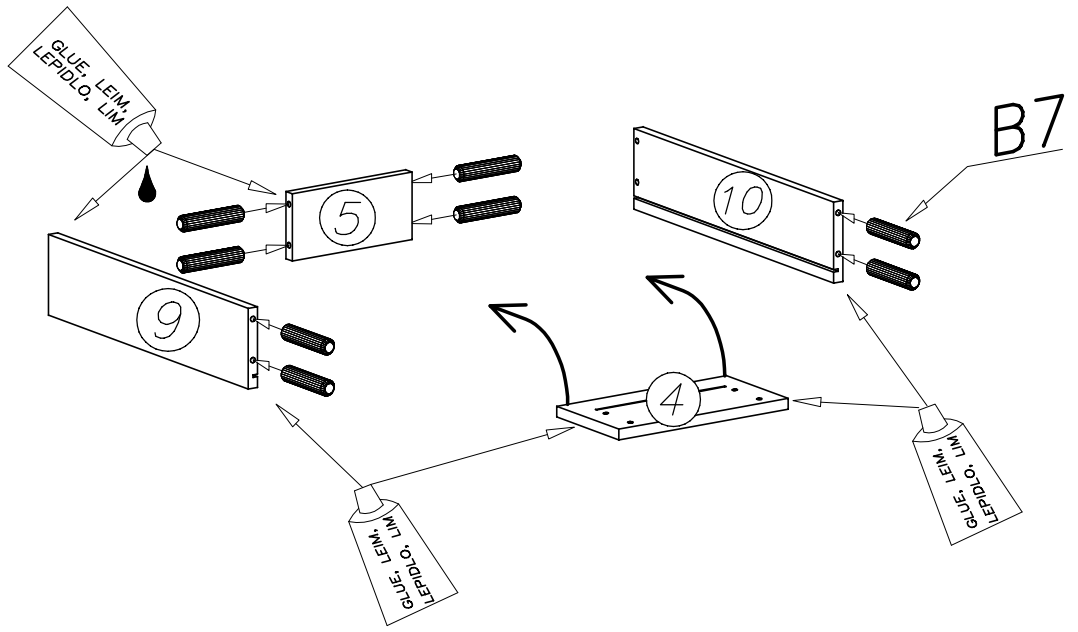
III



IV



V



VI

