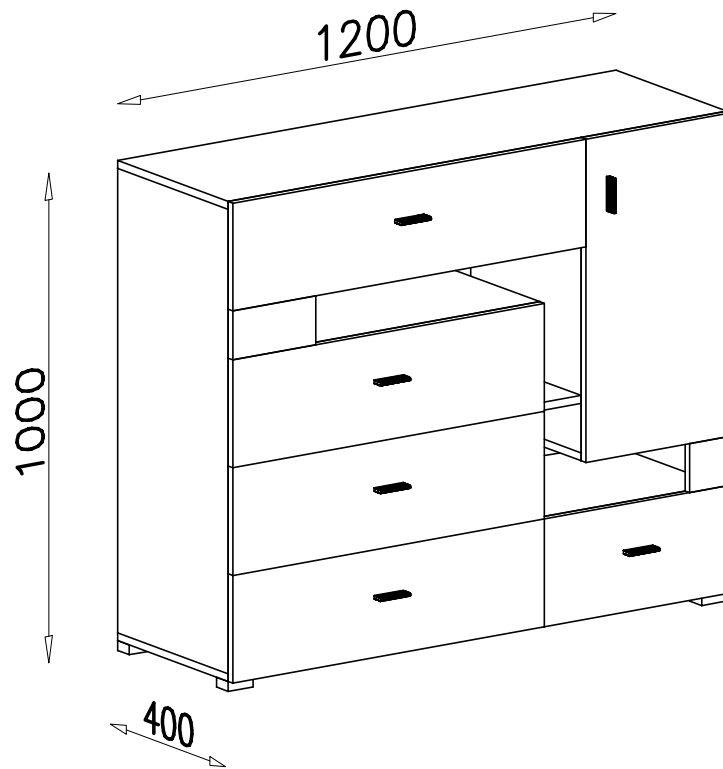
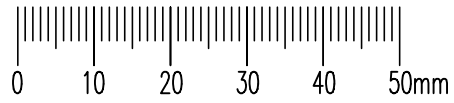
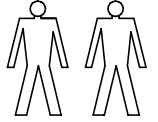
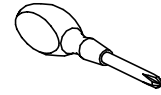
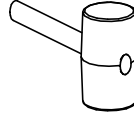
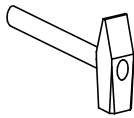
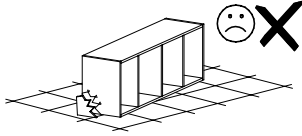
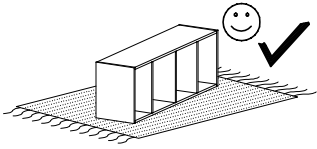
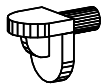
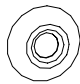
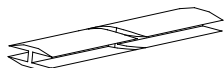
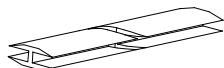
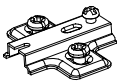
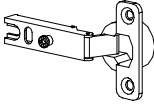
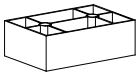
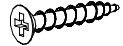


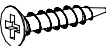

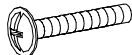

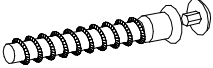





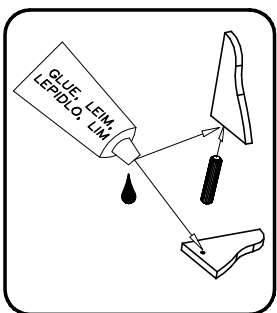
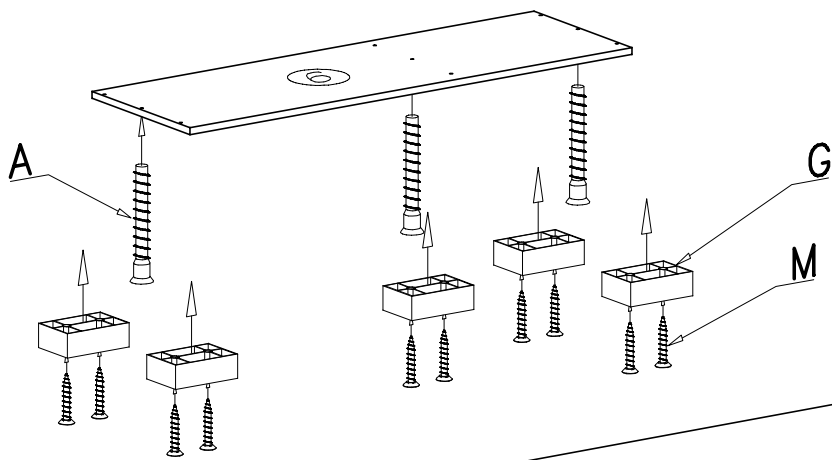
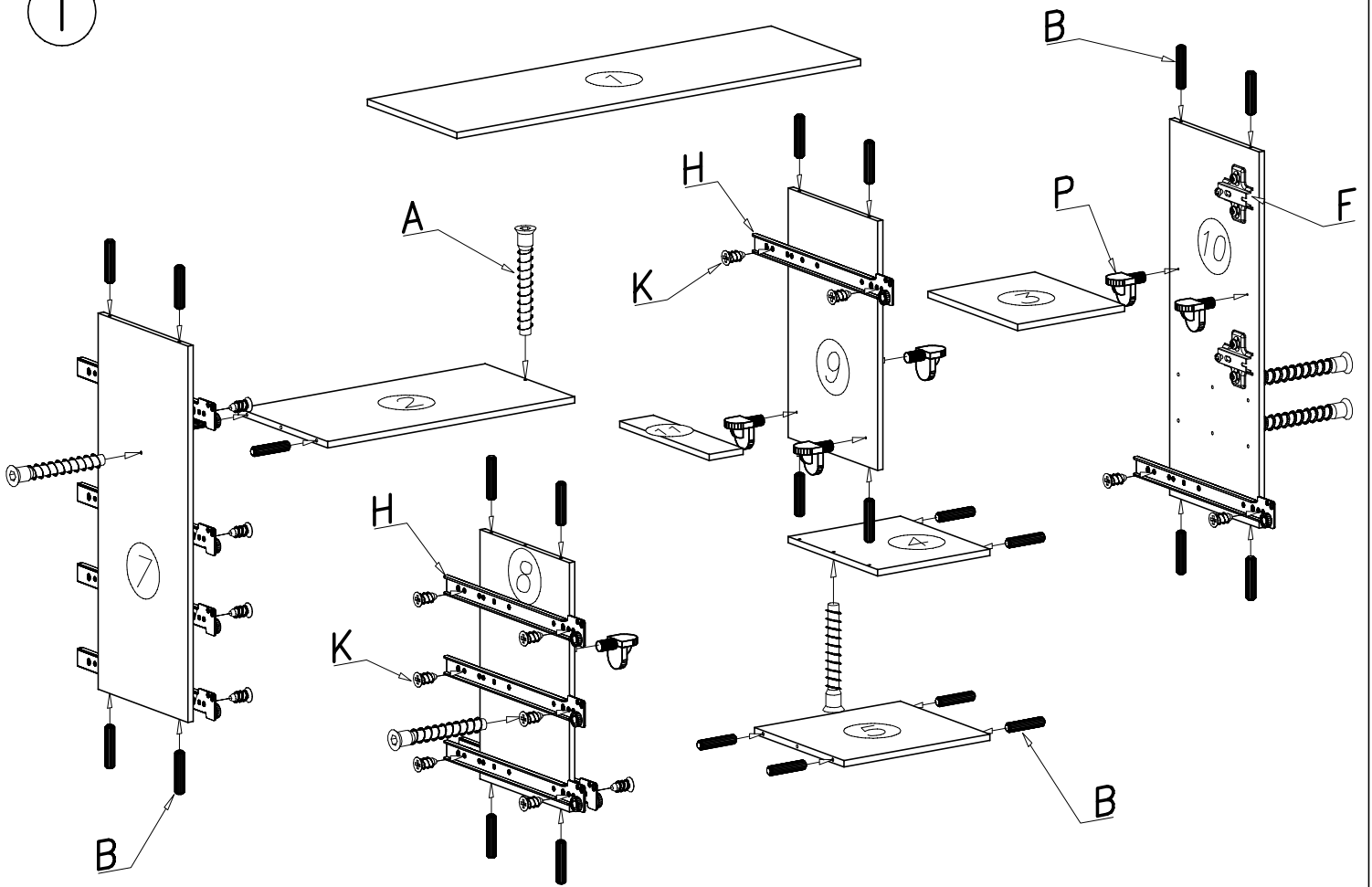
# NEXT

# NX 10

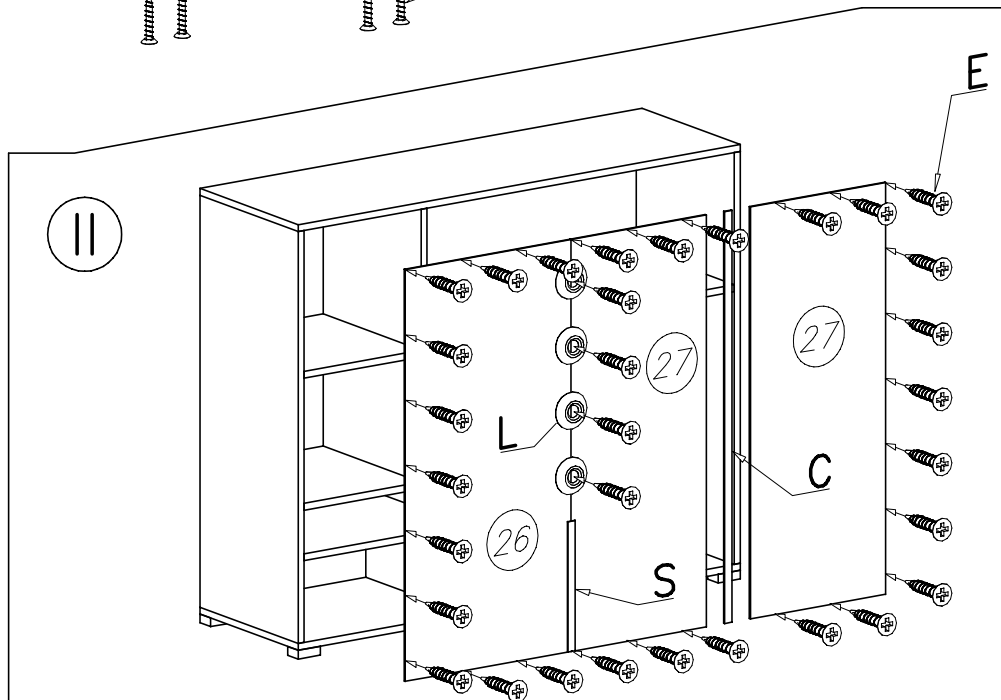


	<b>P</b>  x8	<b>L</b>  x7	<b>S</b>  300mm x1	<b>C</b>  946mm x1
<b>F</b>  x2	<b>D</b>  x2	<b>G</b>  x5	<b>M</b>  4 x 25 x10	<b>K</b>  6 x 13 x20
<b>W</b>  x4	<b>E</b>  3 x 20 x100	<b>U</b>  x6	<b>N</b>  M4 x 22 x12	<b>H</b>  35cm x5
<b>A</b>  x9	<b>B</b>  x69	<b>T</b>  4 x 16 x34	<b>Z</b>  x1	

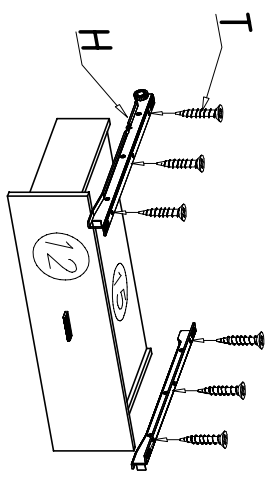
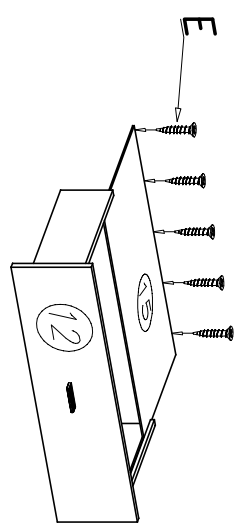
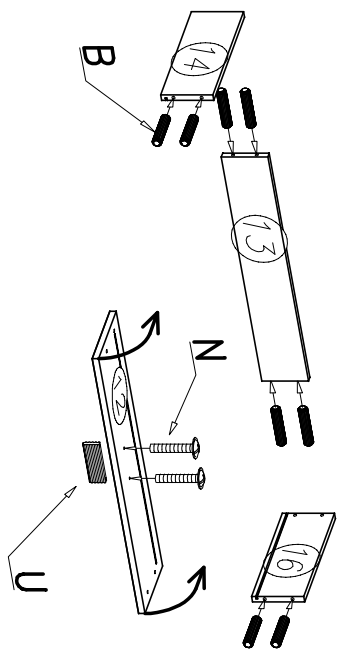
I



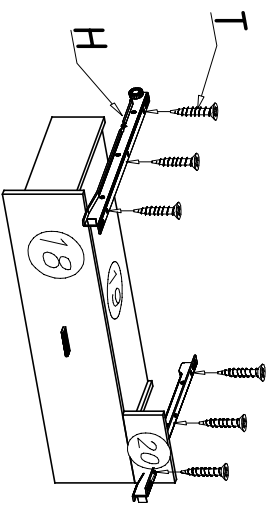
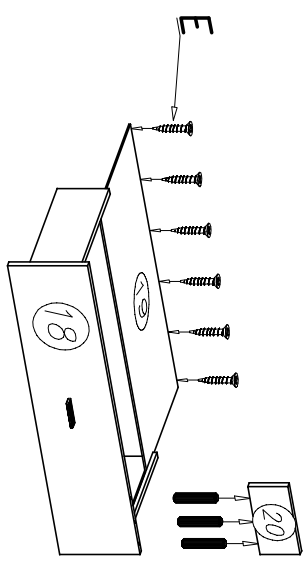
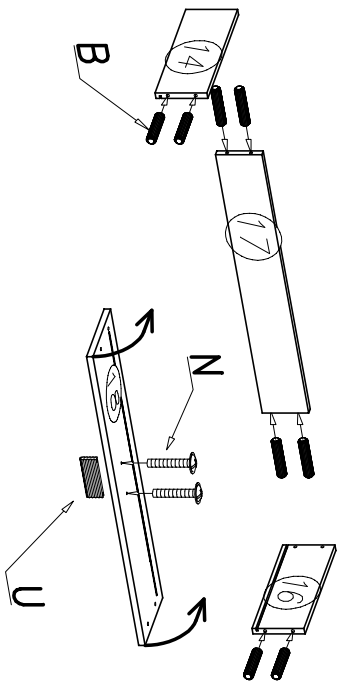
II



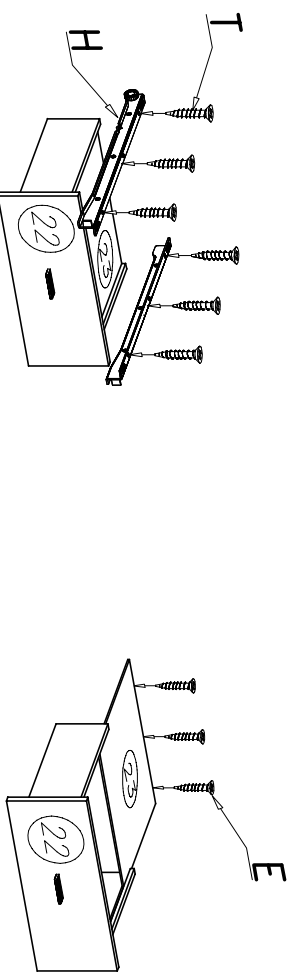
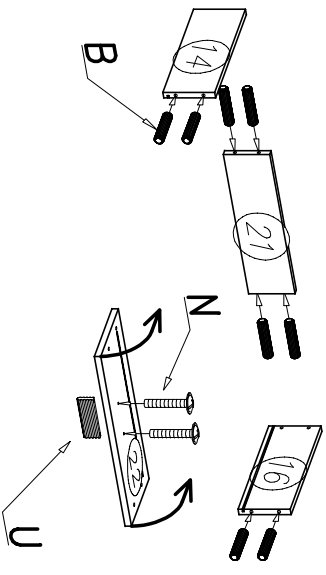
III



IV



V



VI

