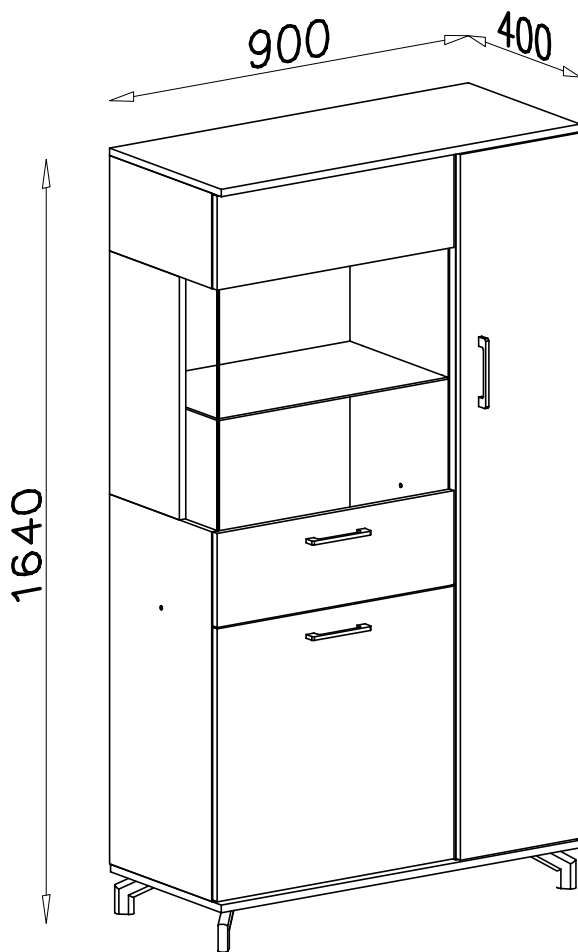
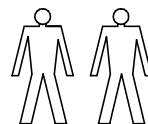
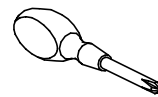
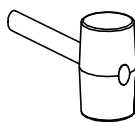
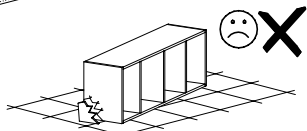
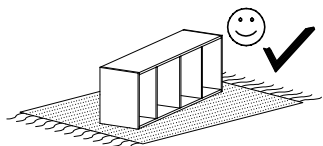
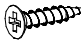

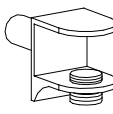



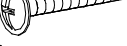
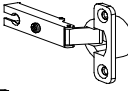



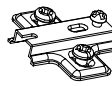



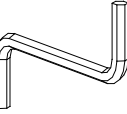
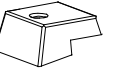

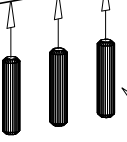
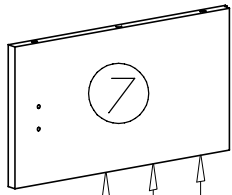


MADISON MD 5

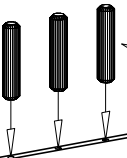
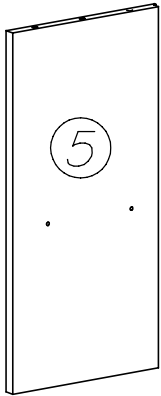
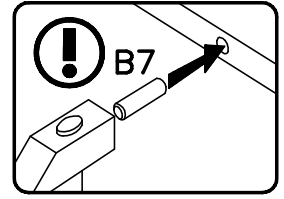
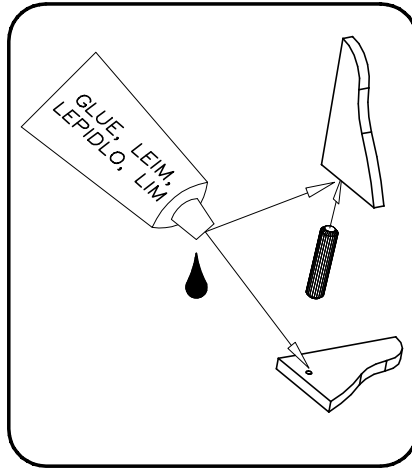


G21  3x16 x6	G11  4x20 x6	F6  x4	P27  x4
G44  6x16 x16	W1  GLUE, LEIM, LEPIDLO, LIM x2	N13  M4x22 x6	C3  Z35PR x7
E9  x3	S2  x14	G4  4x16 x14	D3  PZ35PR x7
I3  x6	A1  Ø7x50 x7	B7  Ø8x30 x29	W2  x1
I2  x6	F1  x13		

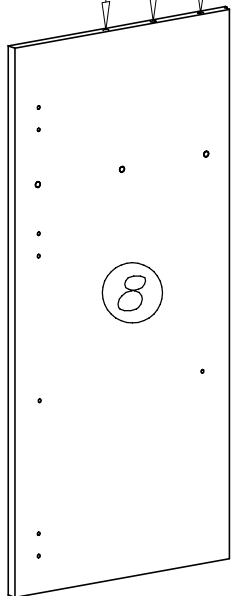
1



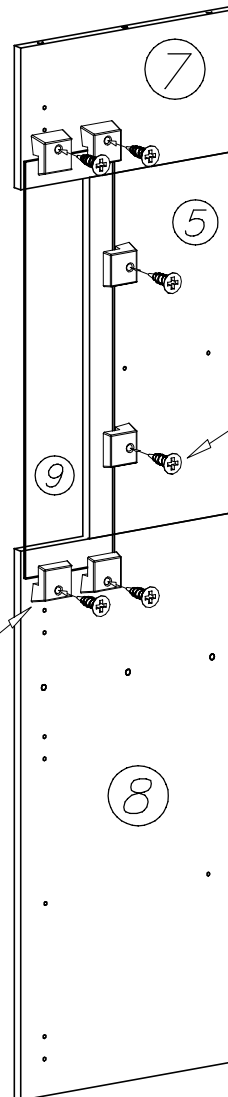
B1



B1

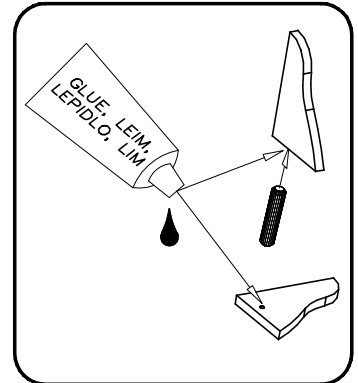
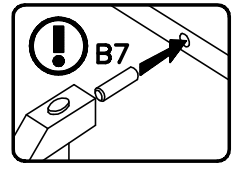
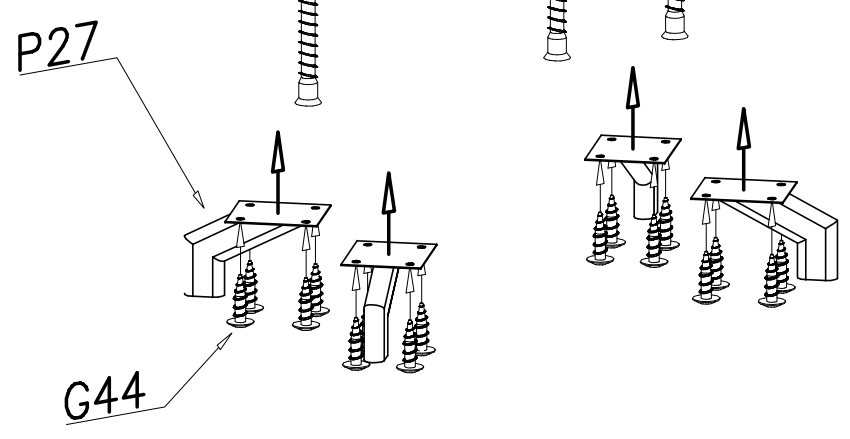
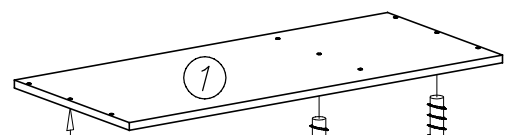
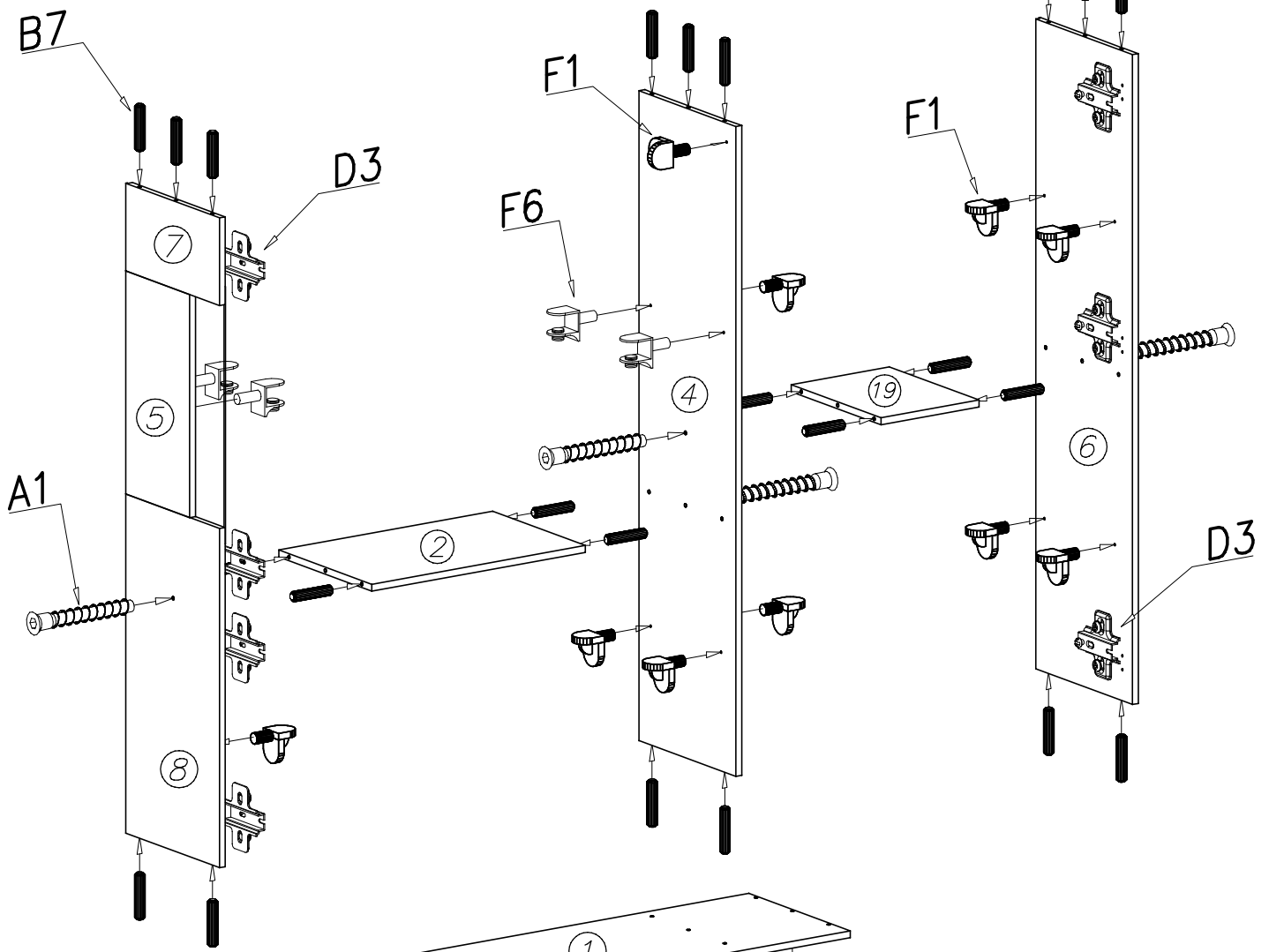
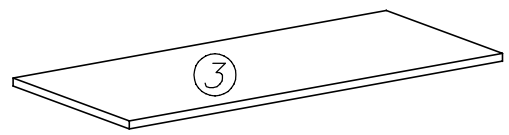


12

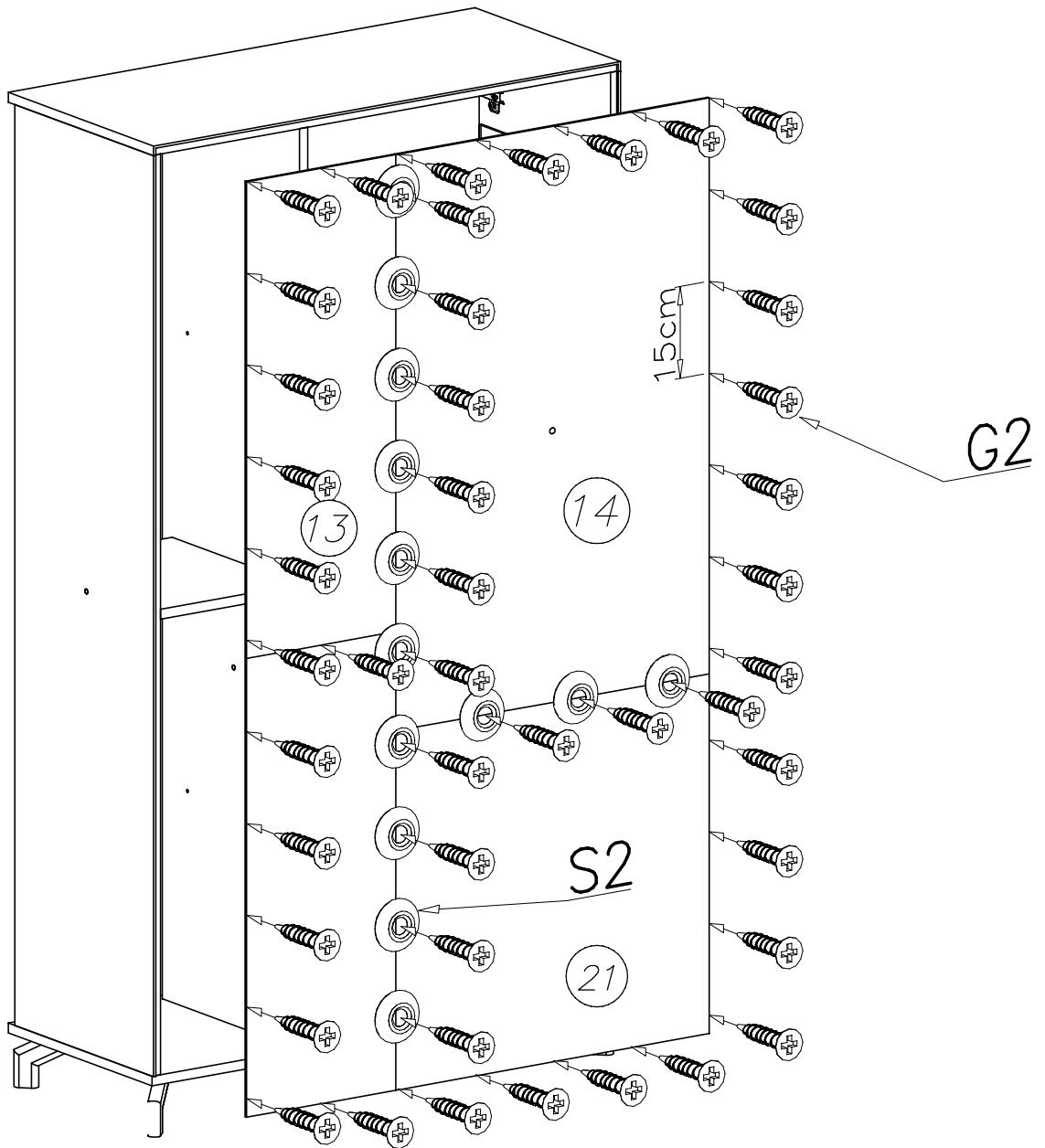


G21

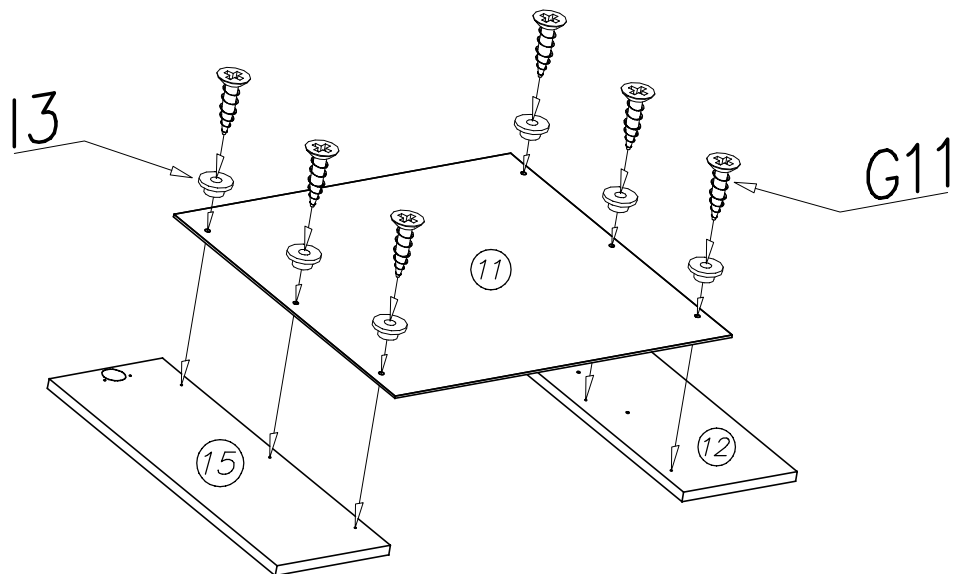
II



III



IV



V

