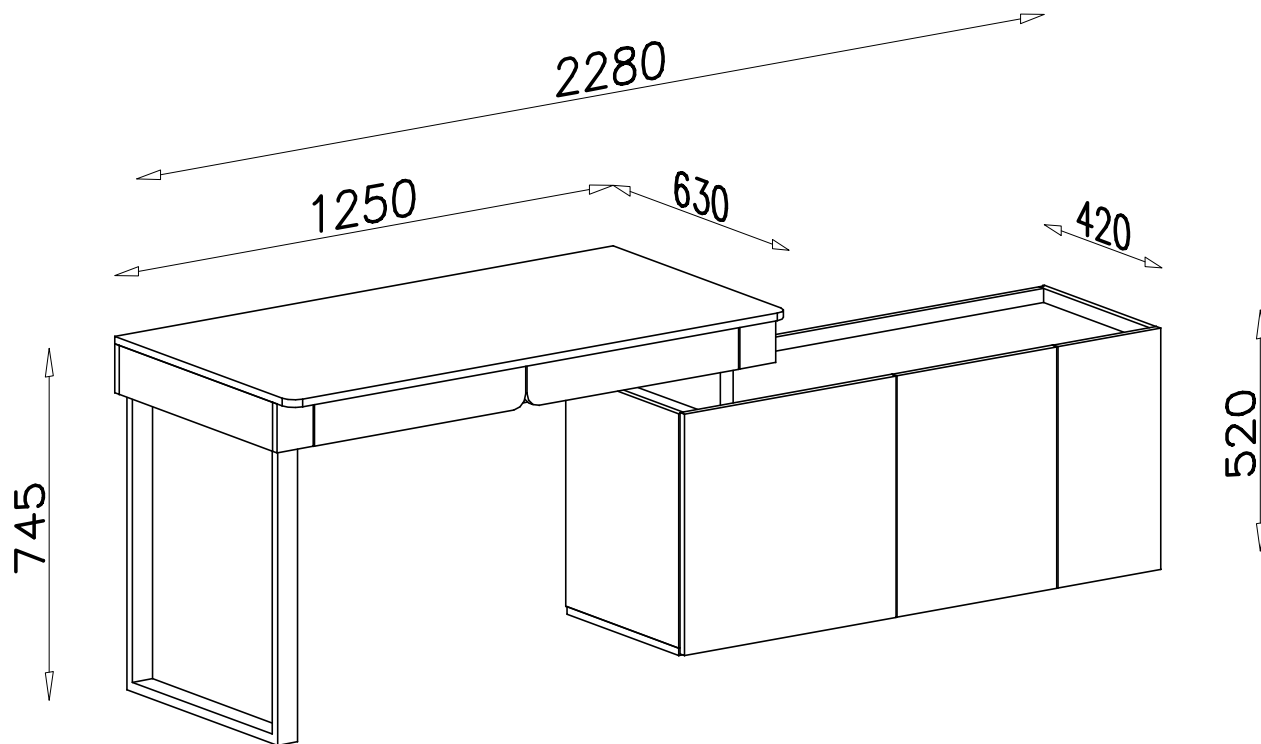
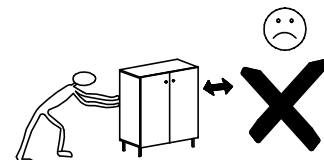
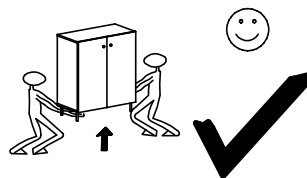
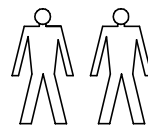
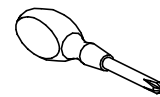
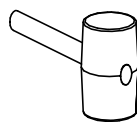
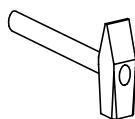
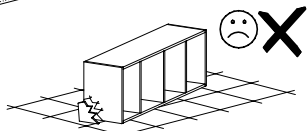
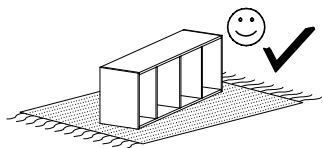

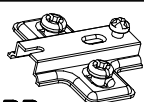
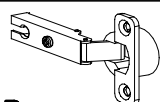
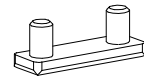


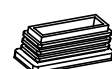


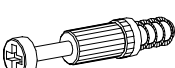

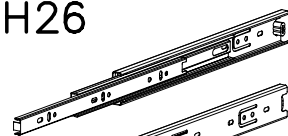


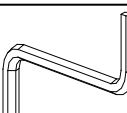

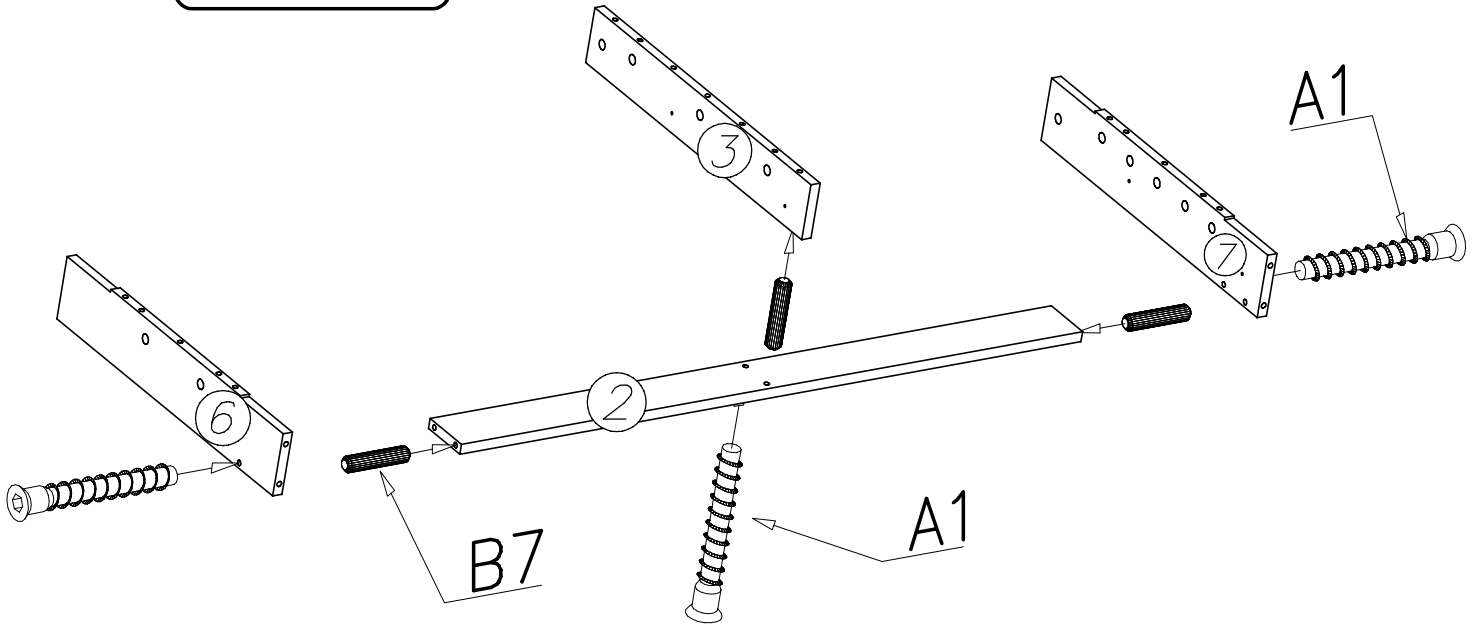
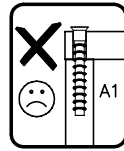
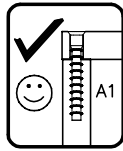
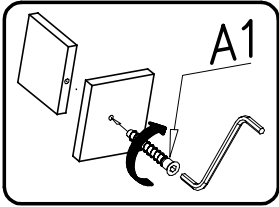


LUCA LC 10

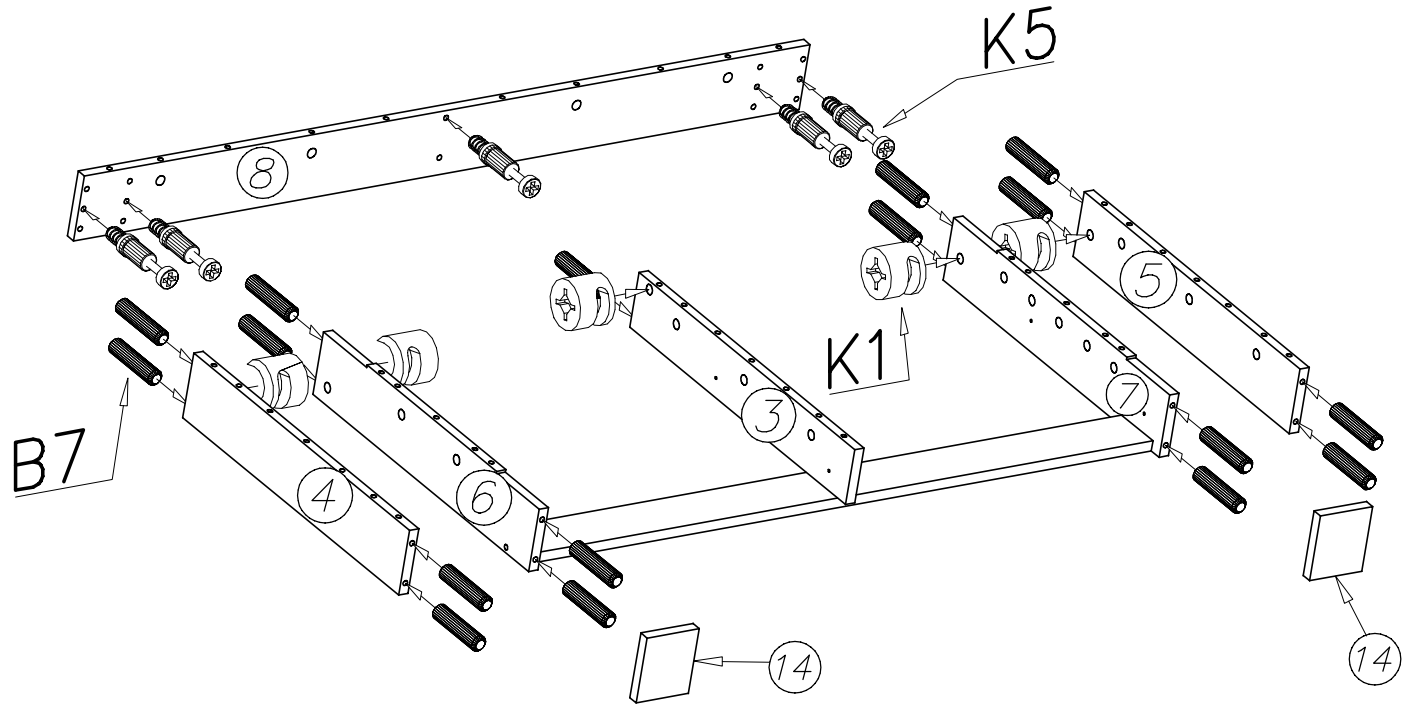
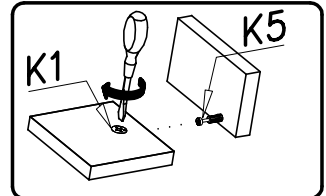
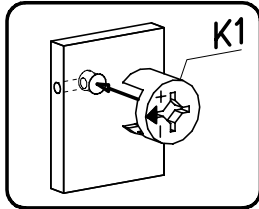
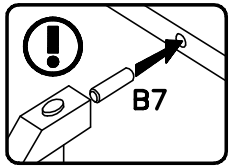
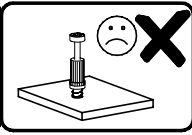
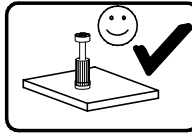
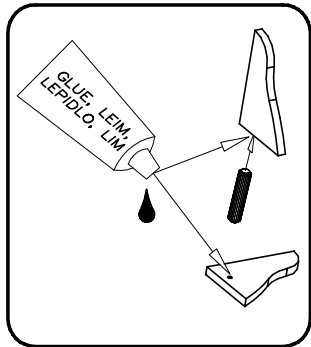


		F1  x12	D3  PZ35PR x6	C3  Z35PR x6
	P3  x8	G2  3x20 x45	W1  6x16 x8	B  x2
W6  x5	I7  ø18 x34	K5  x34	K1  ø15x12 x34	H26  x2
A1  ø7x50 x16	B7  ø8x30 x95	W2  x1	G1  4x13 x20	400mm x2

I

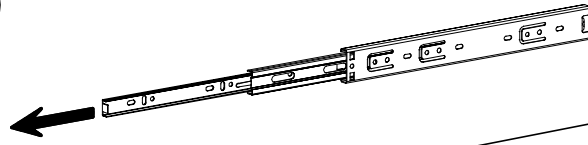


II

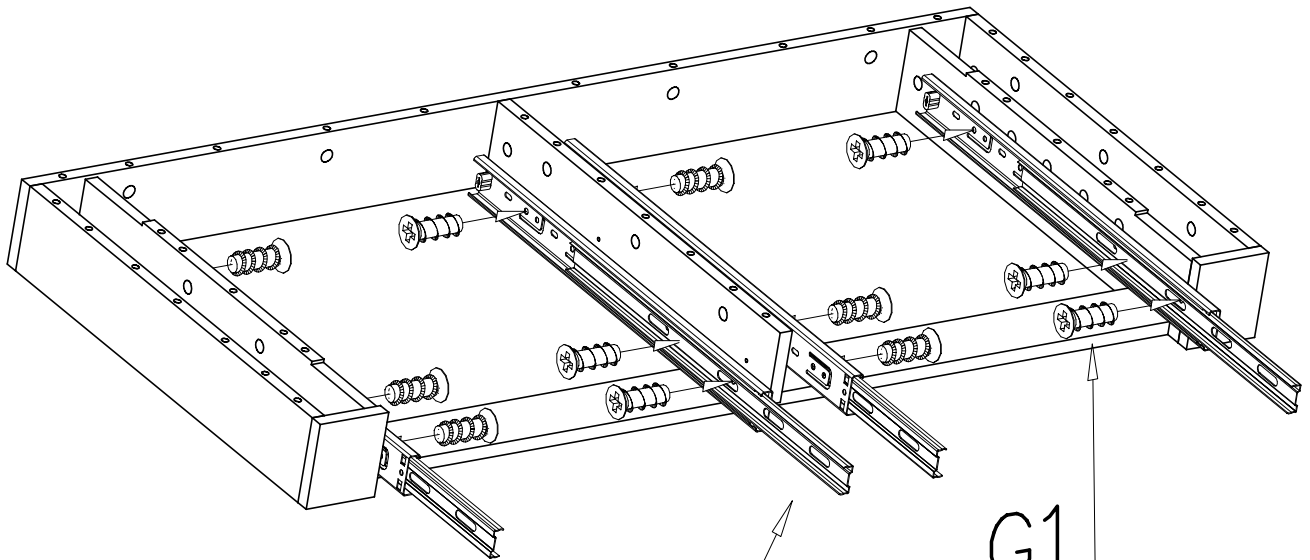
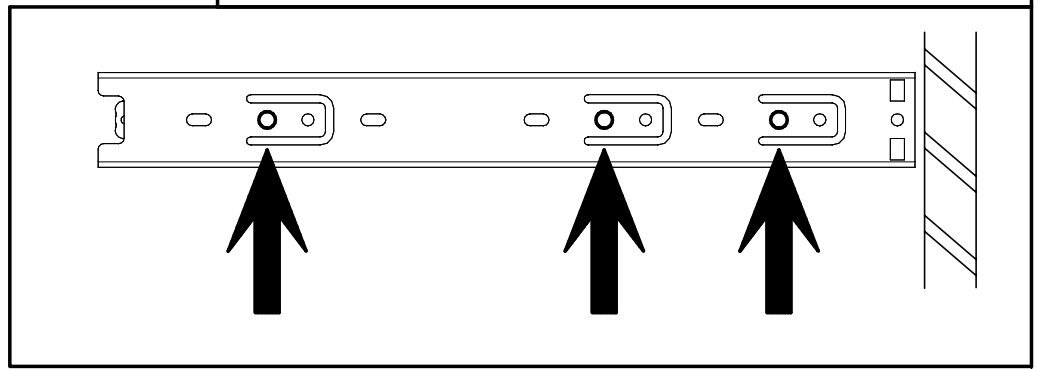
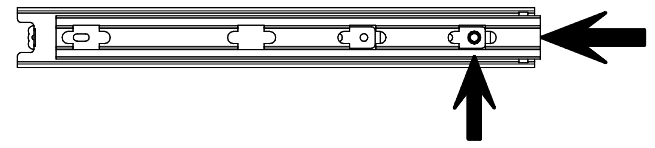
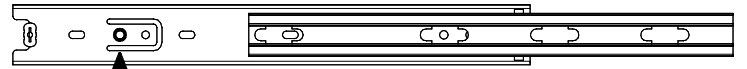
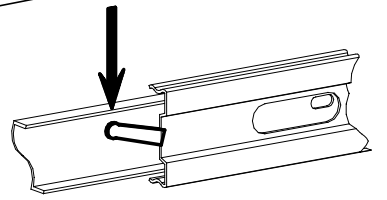
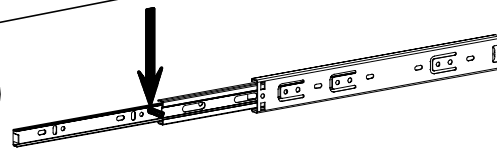




(A)

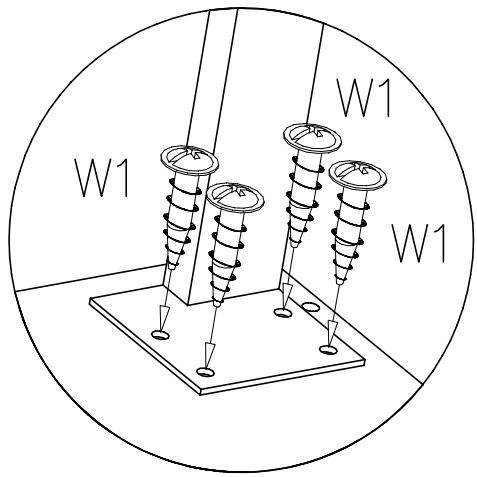


(B)

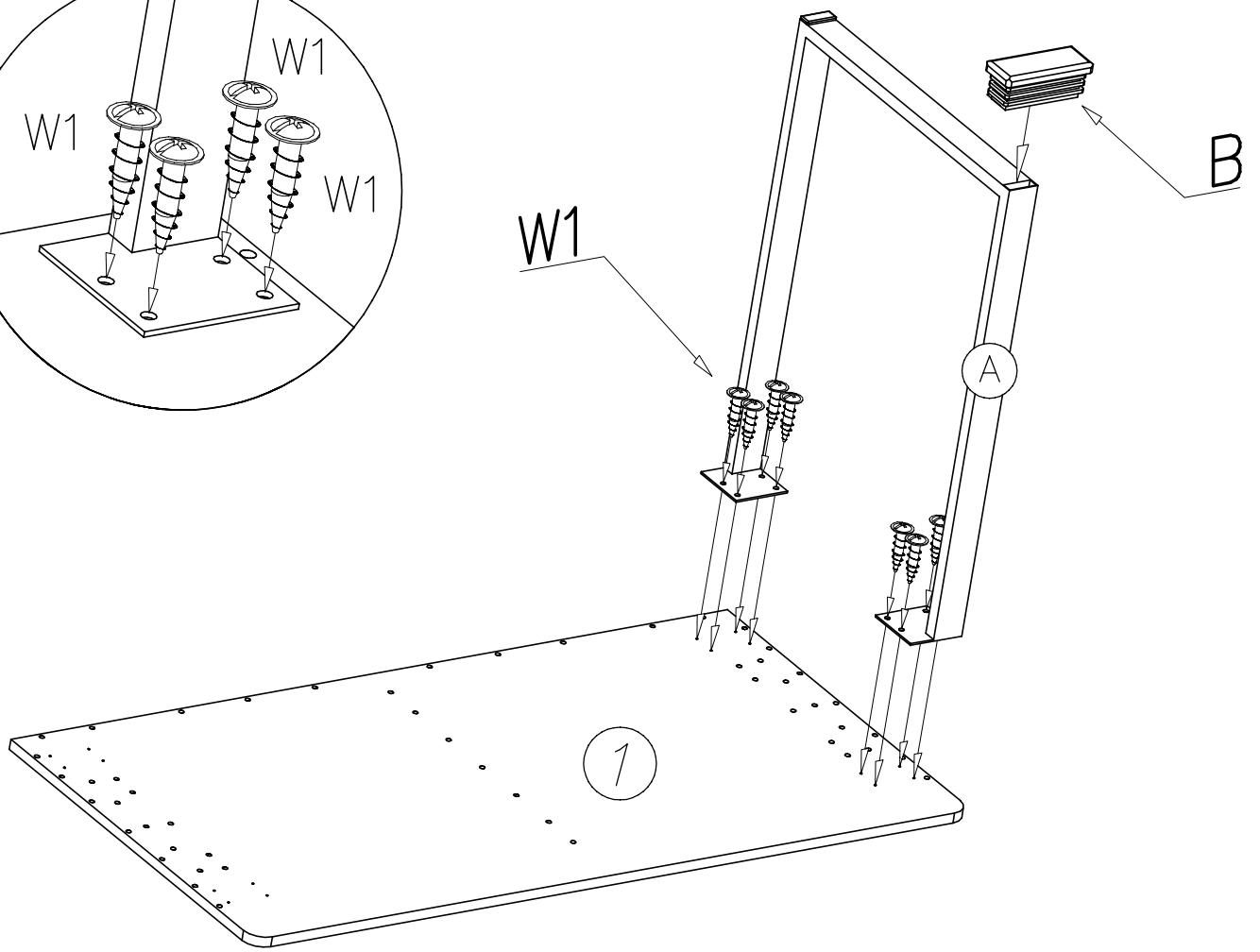


H26

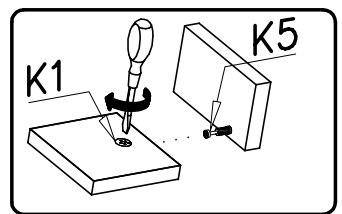
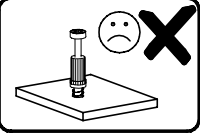
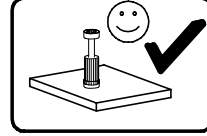
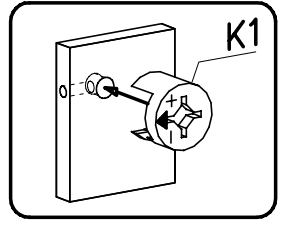
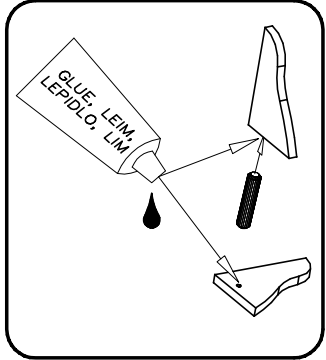
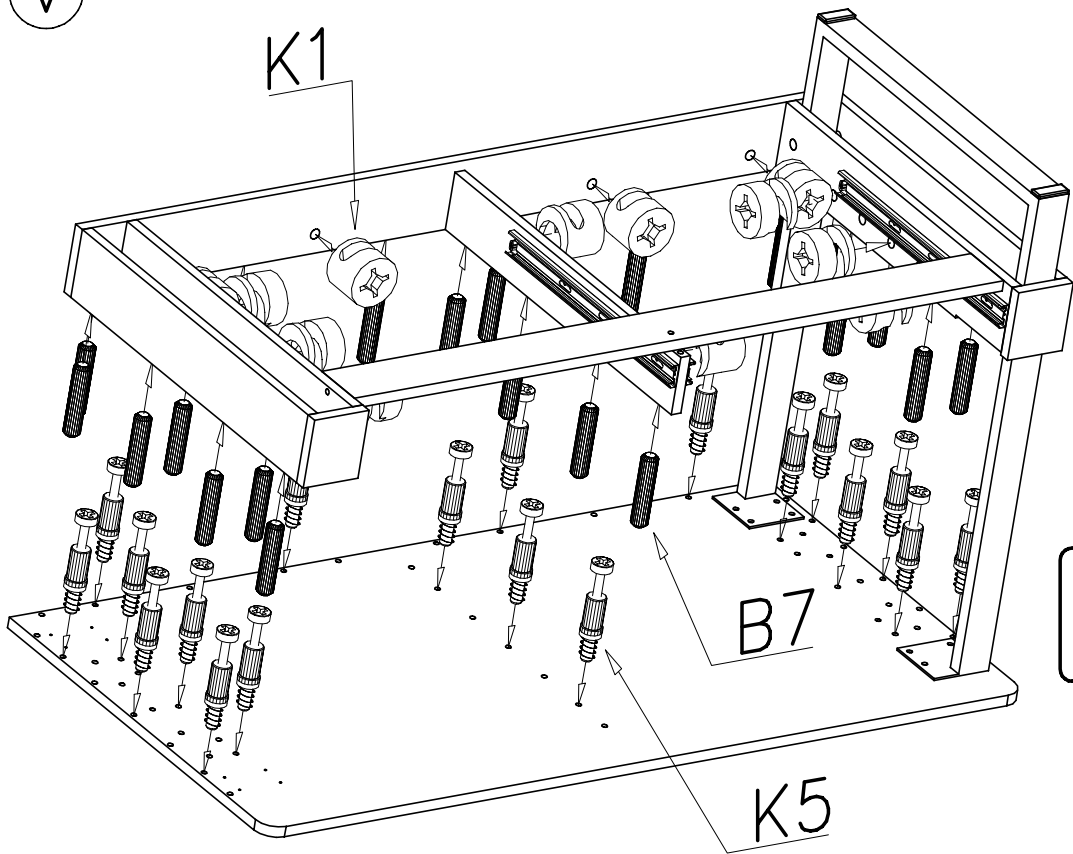
G1



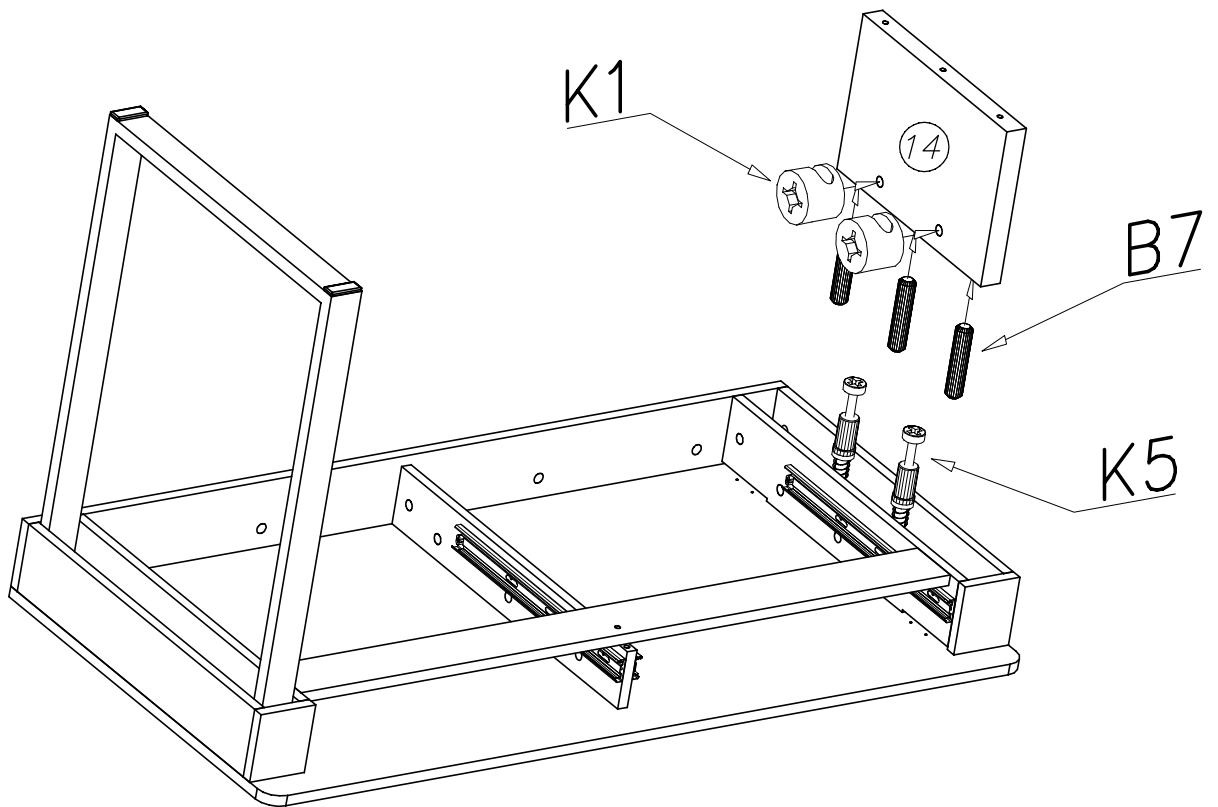
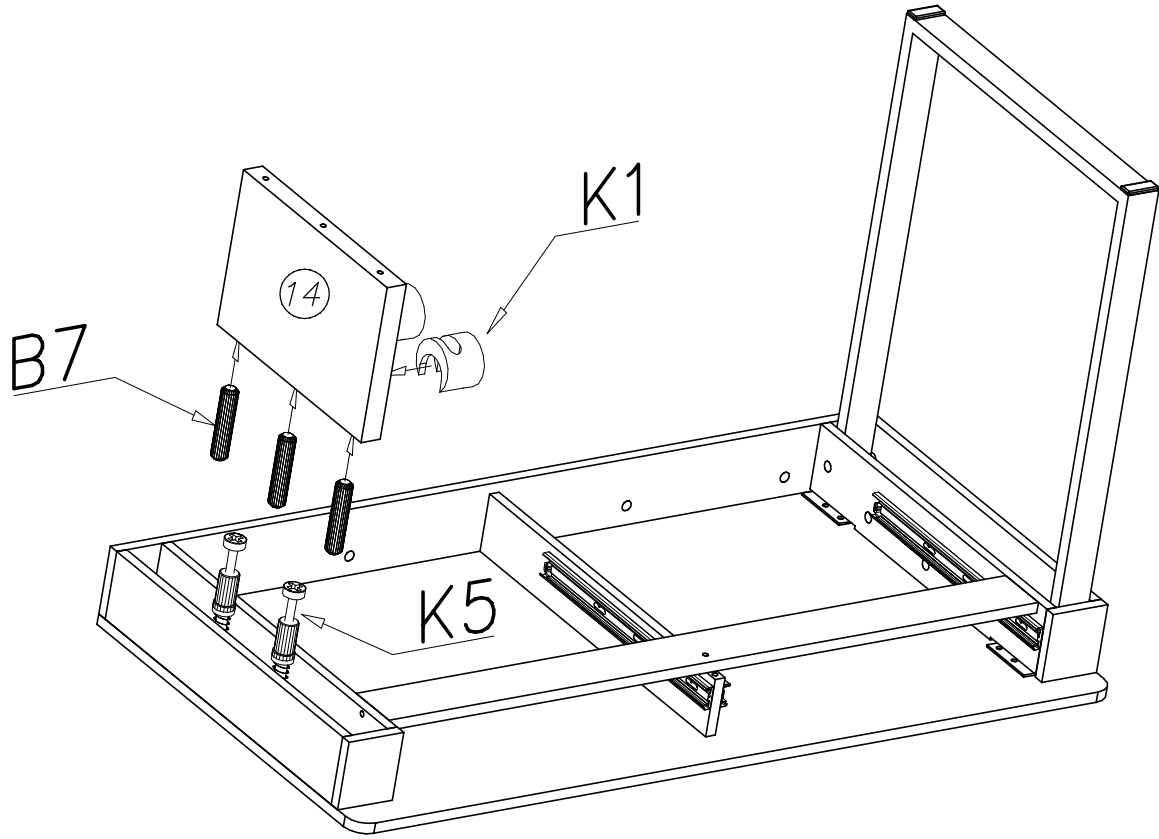
IV



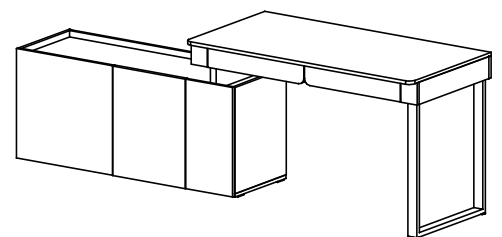
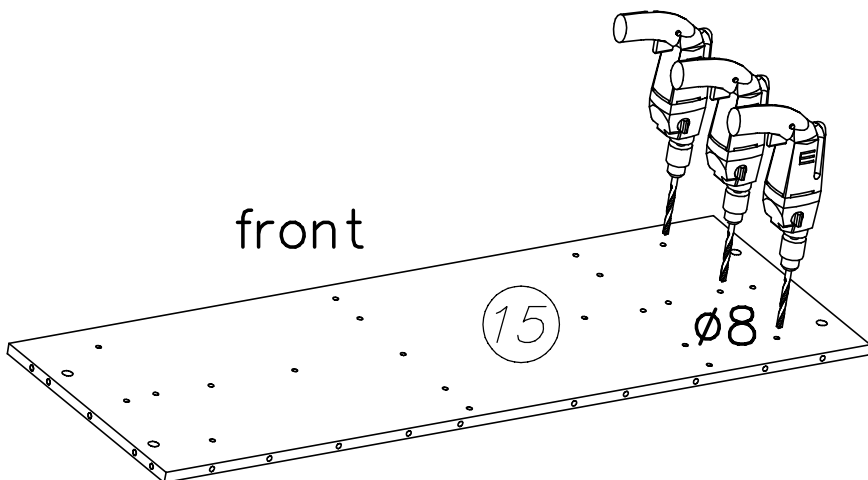
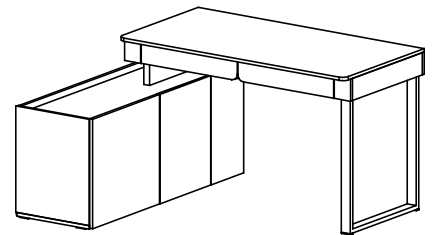
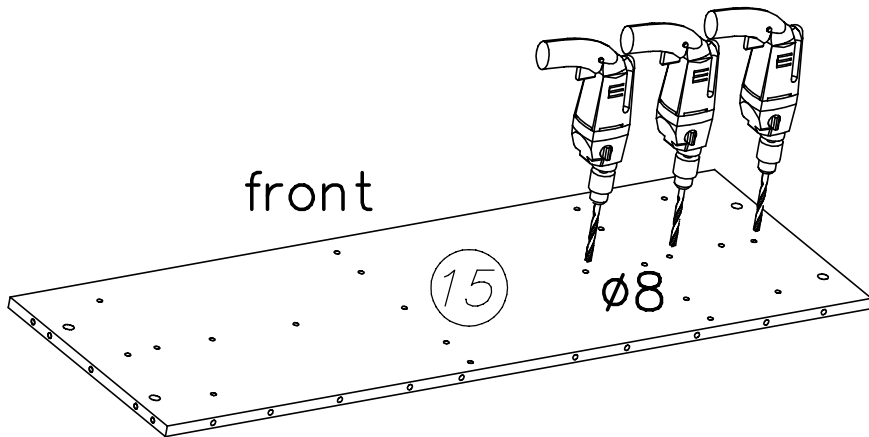
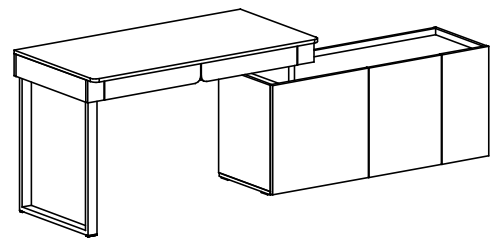
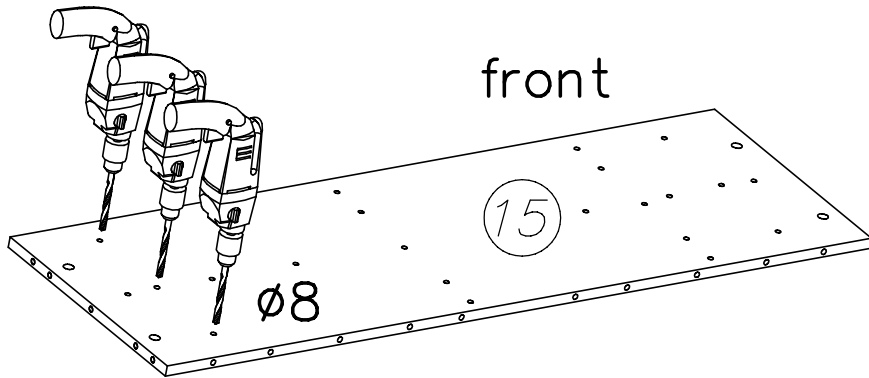
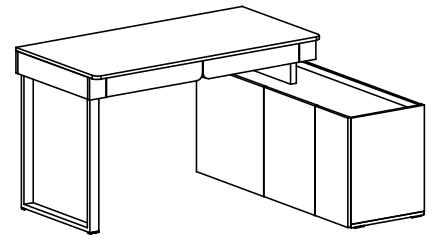
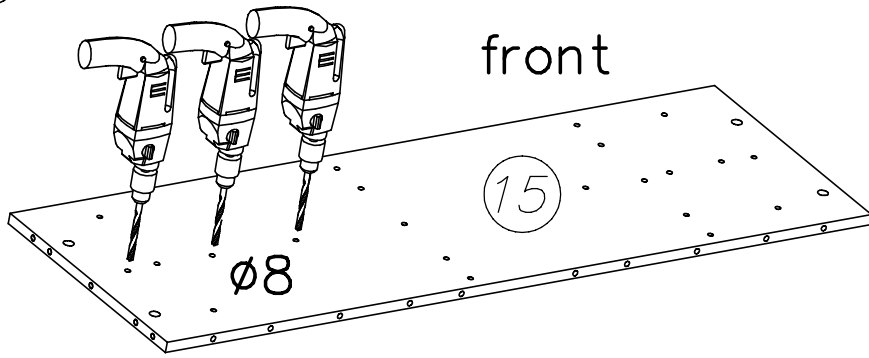
V



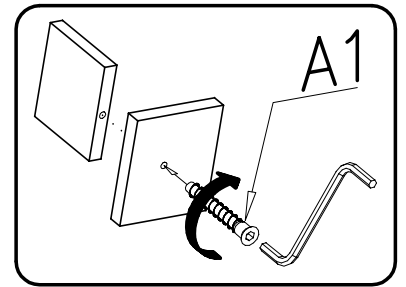
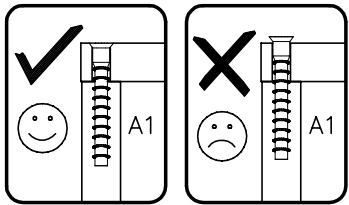
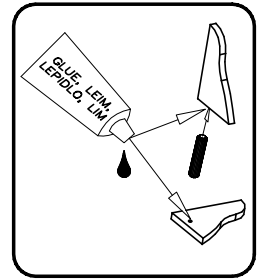
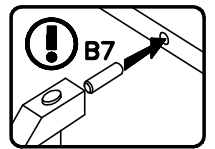
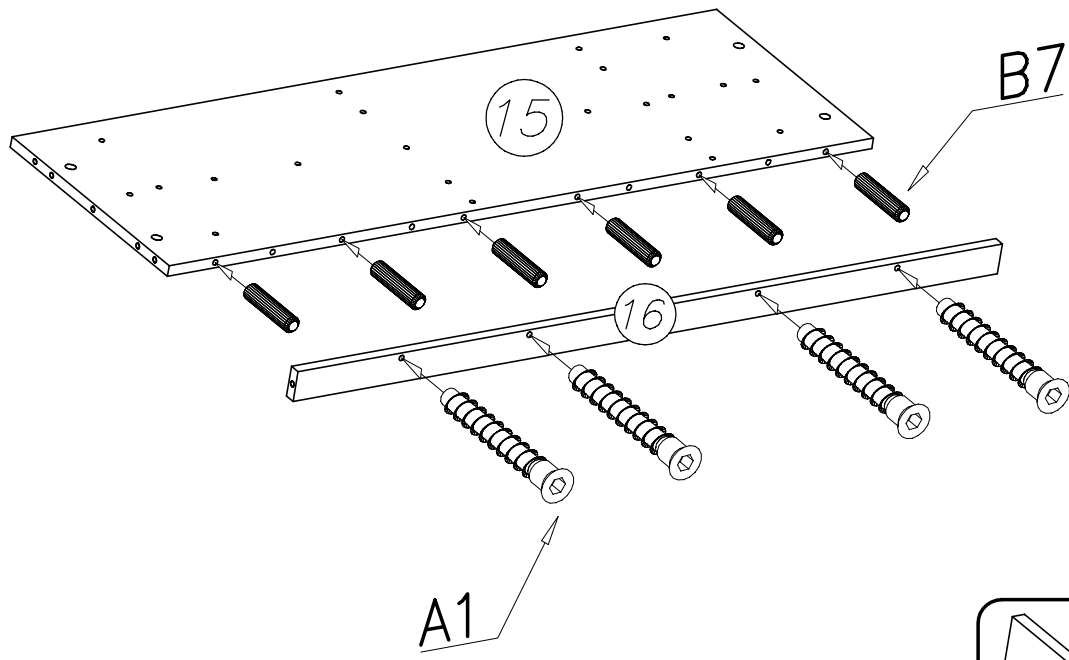
VI



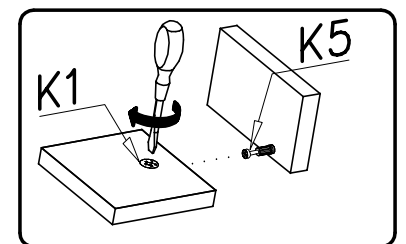
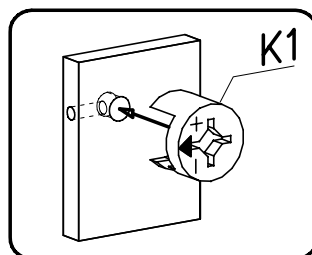
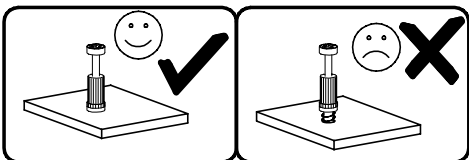
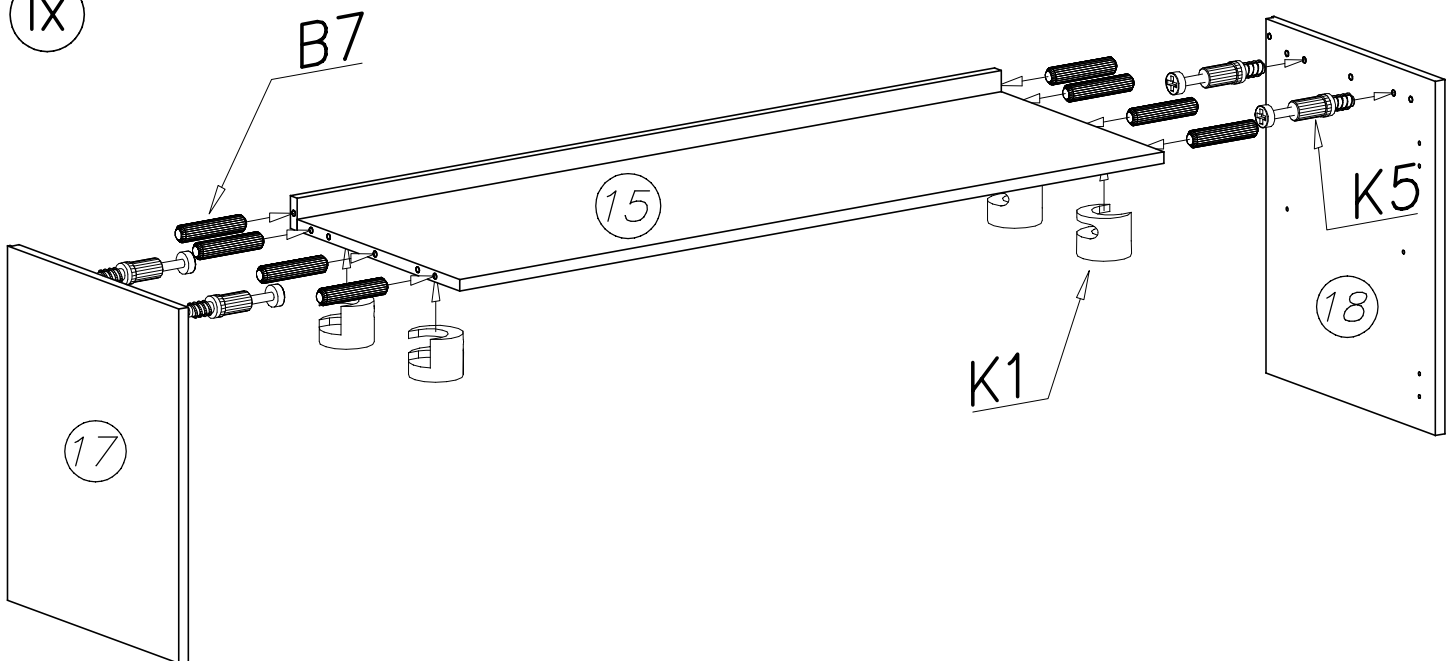
VII



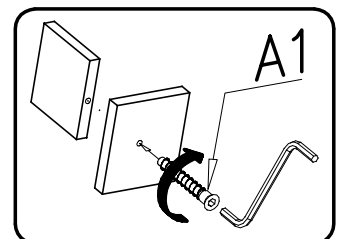
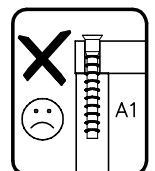
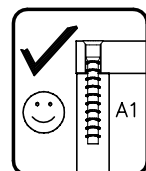
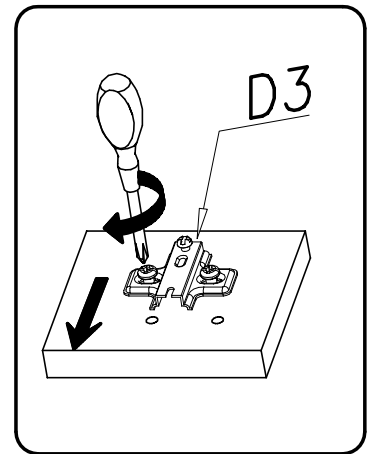
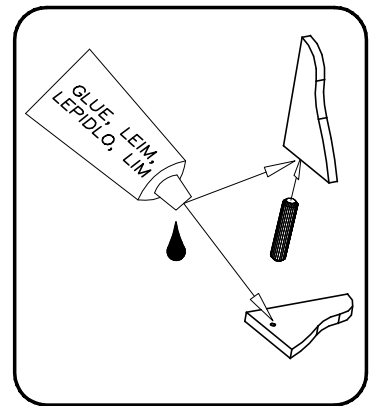
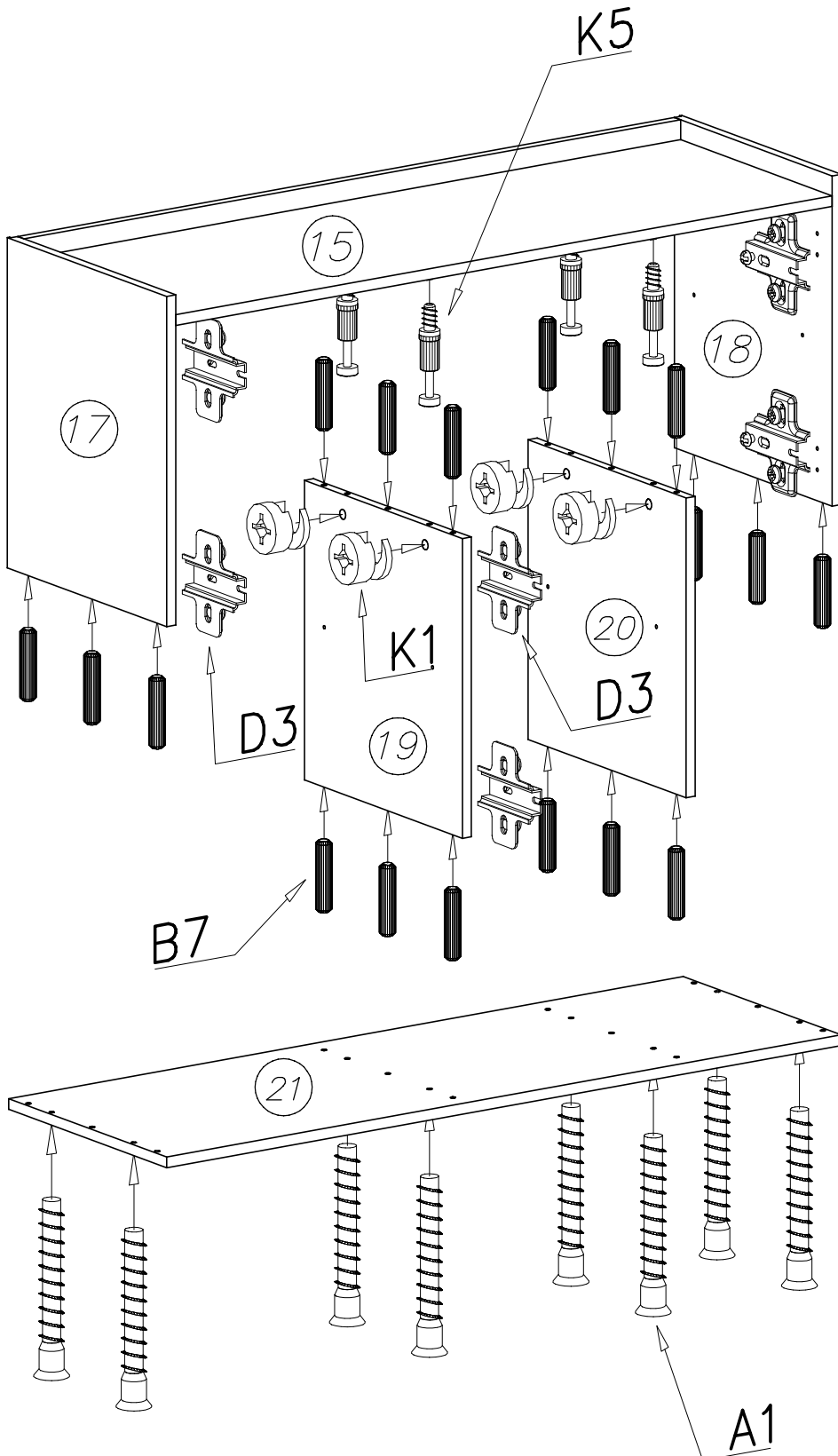
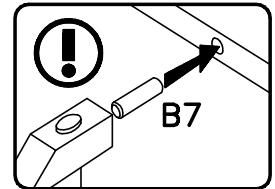
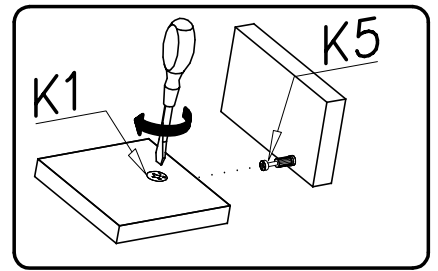
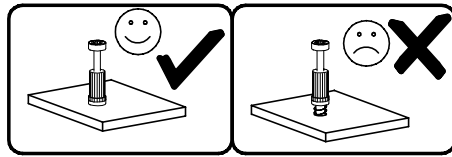
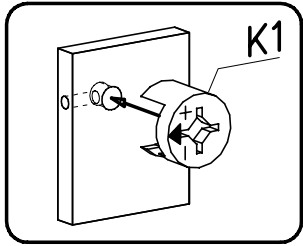
VIII



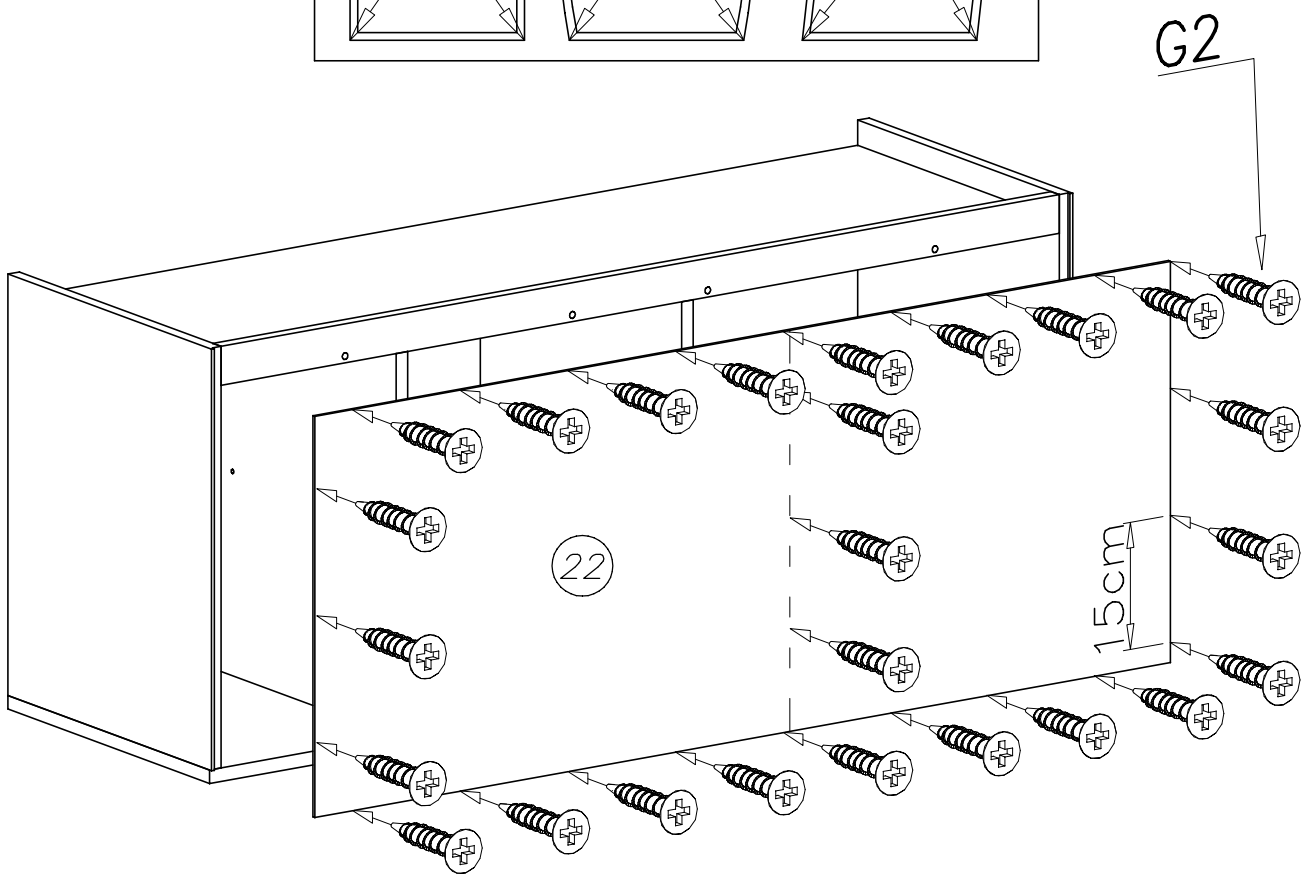
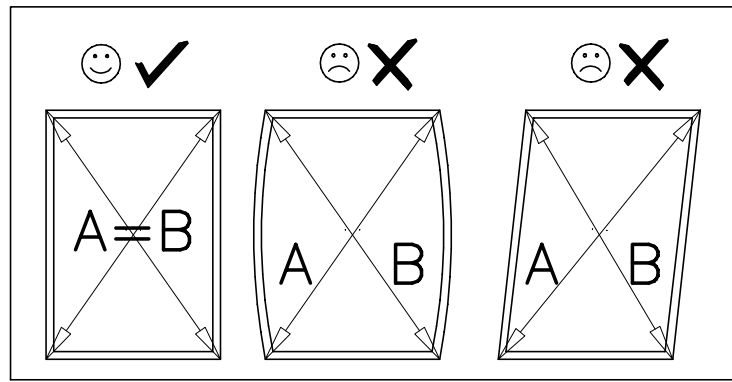
IX



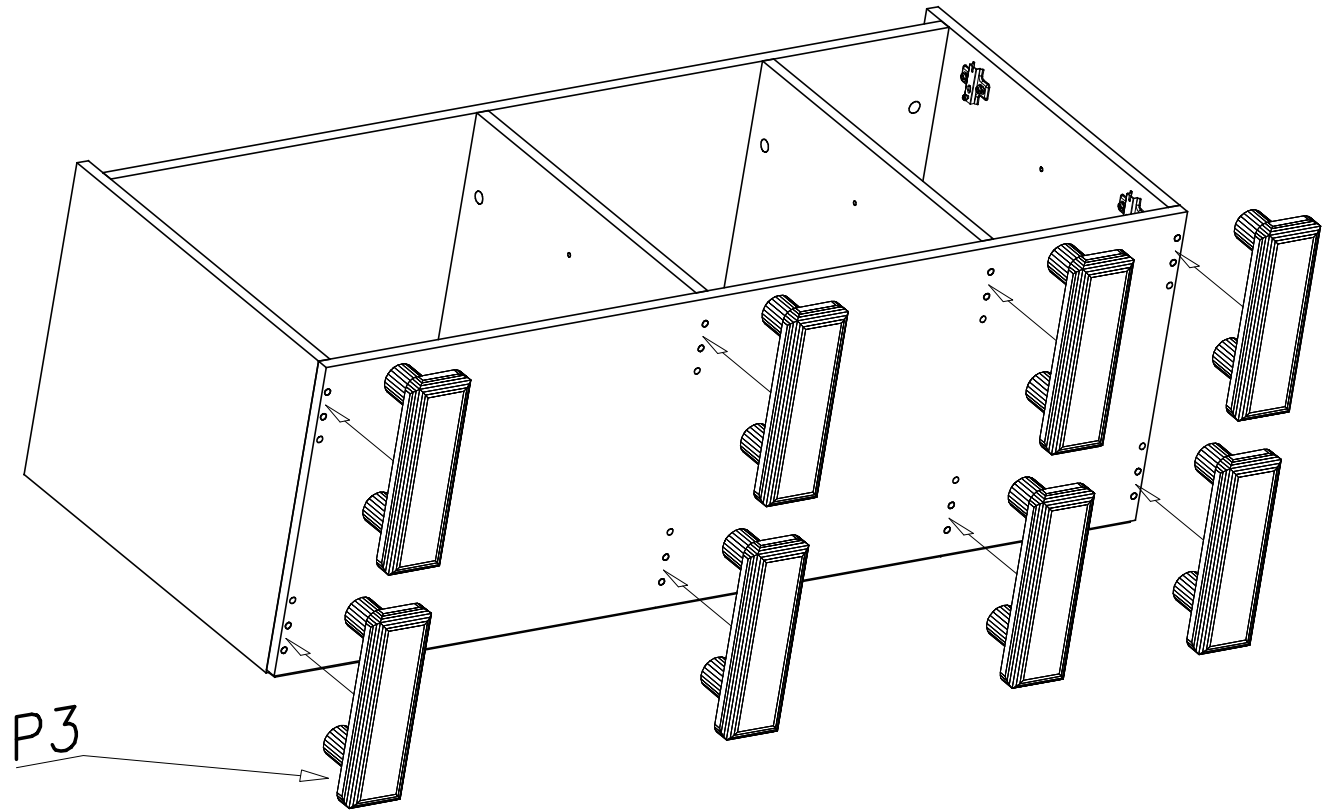
X

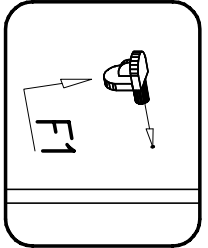
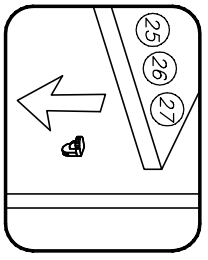


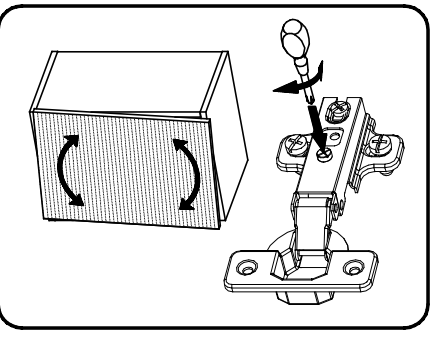
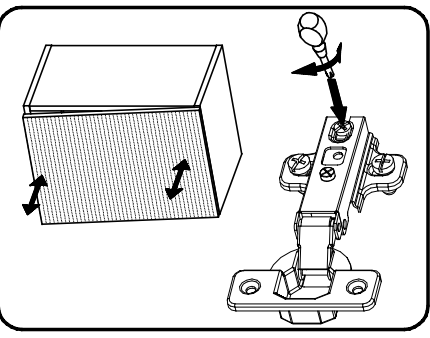
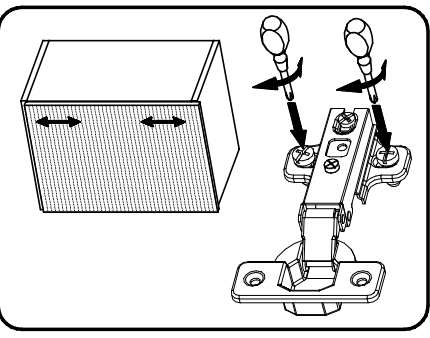
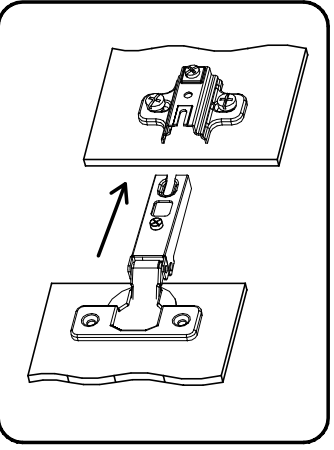
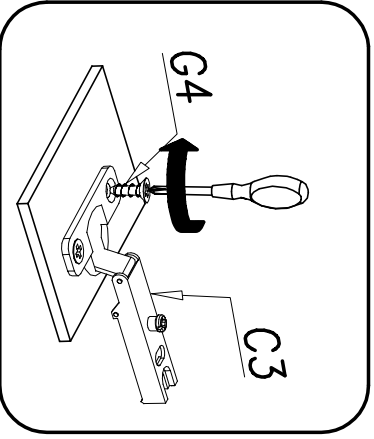
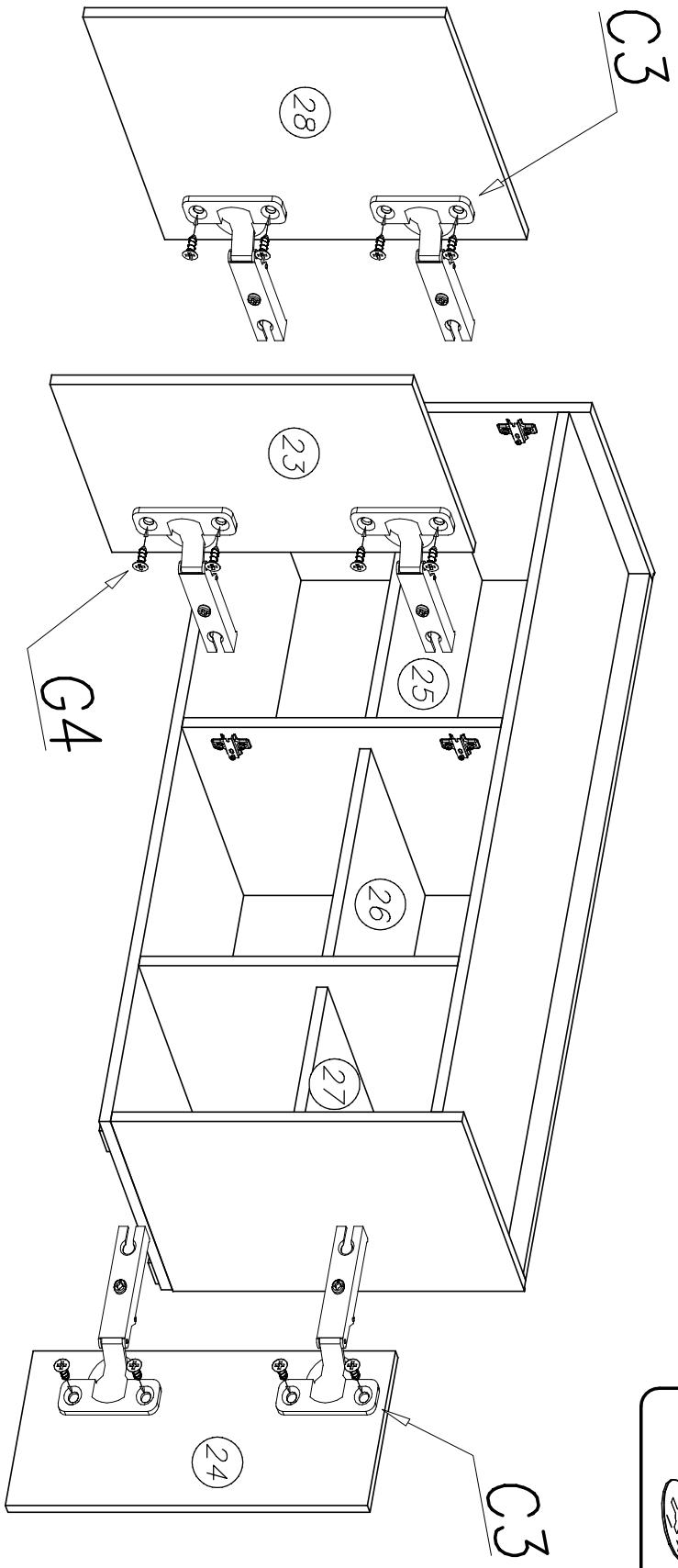
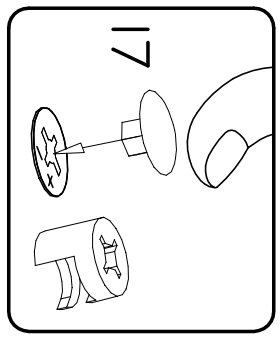
XI



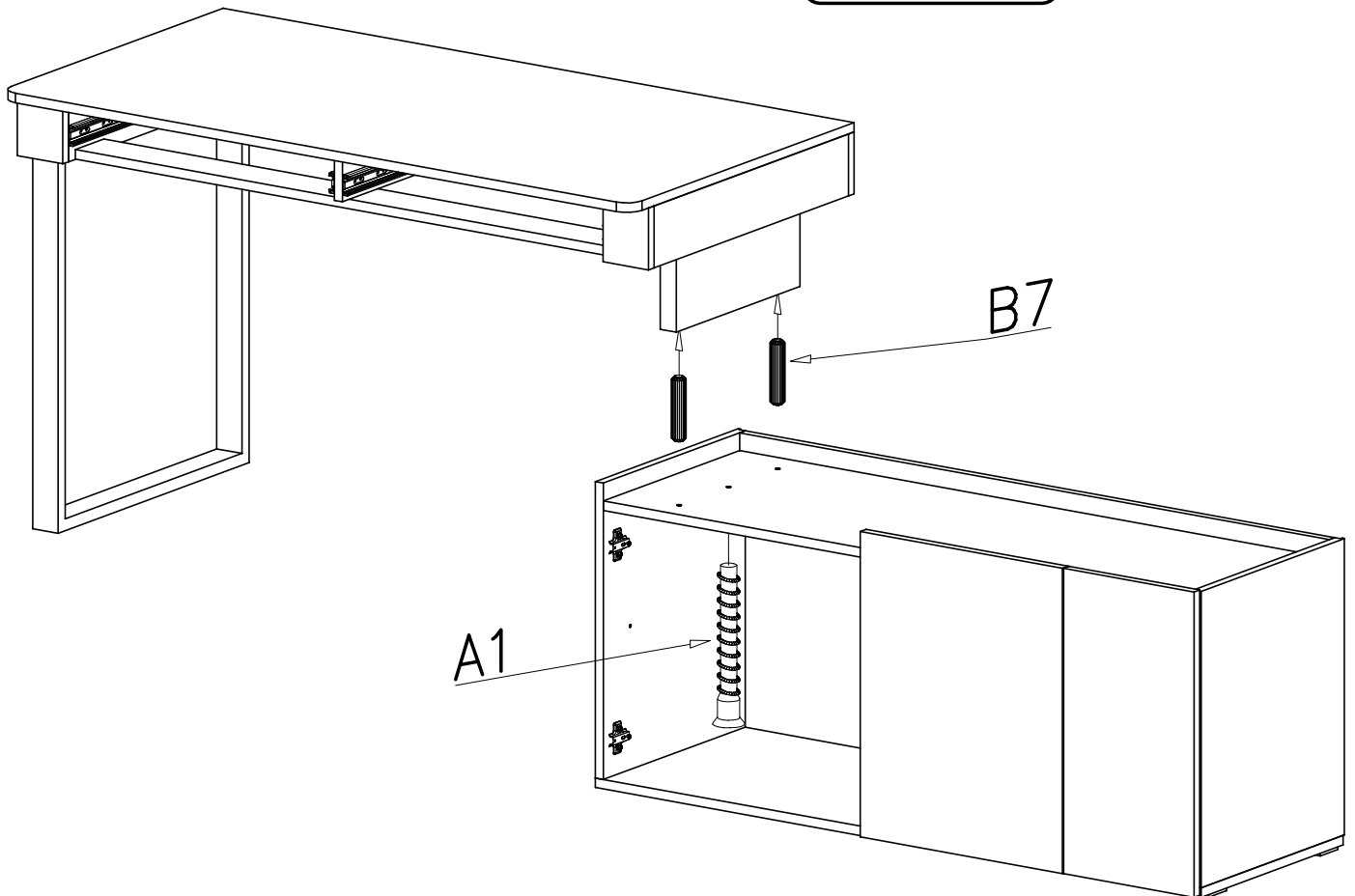
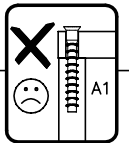
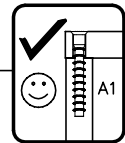
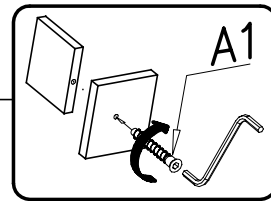
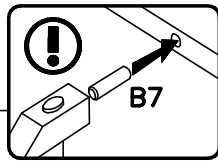
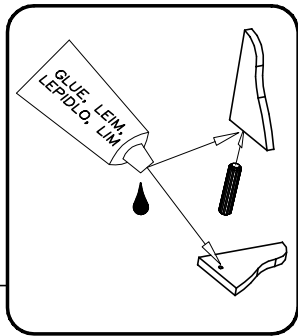
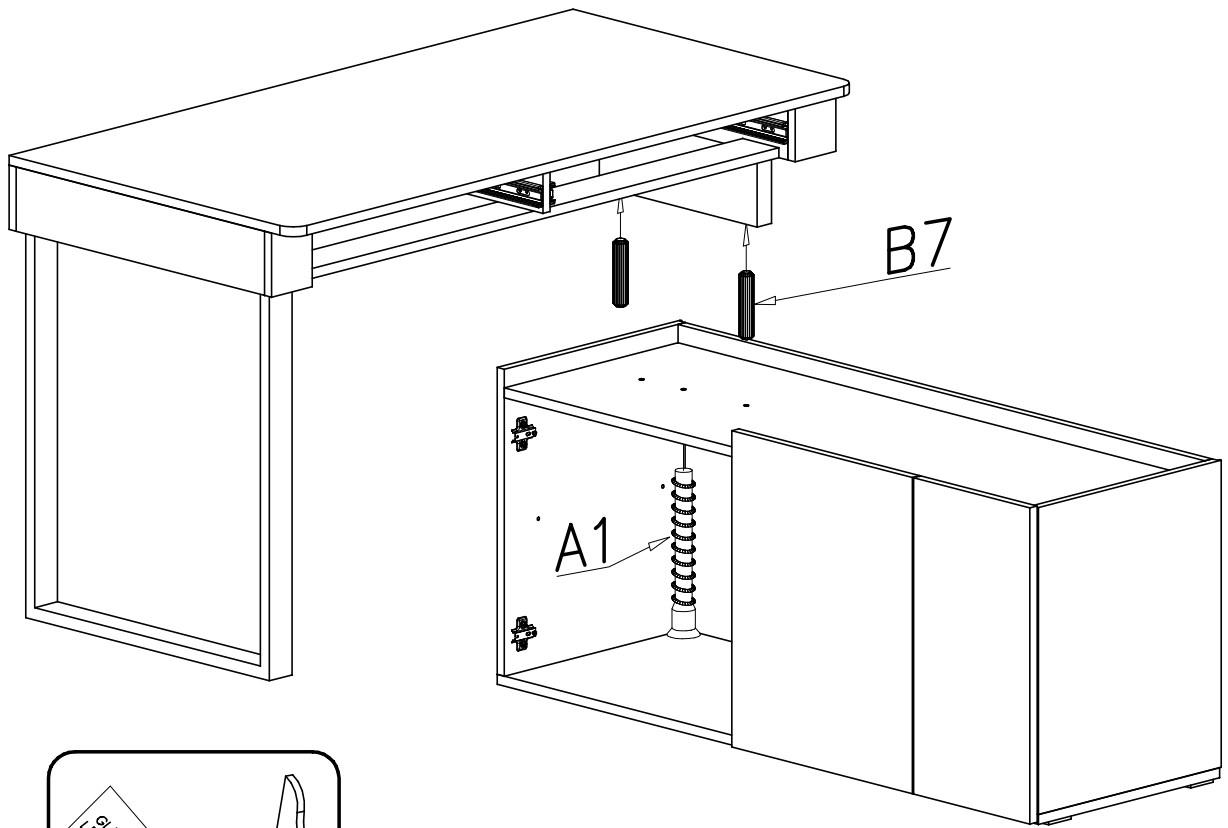
XII



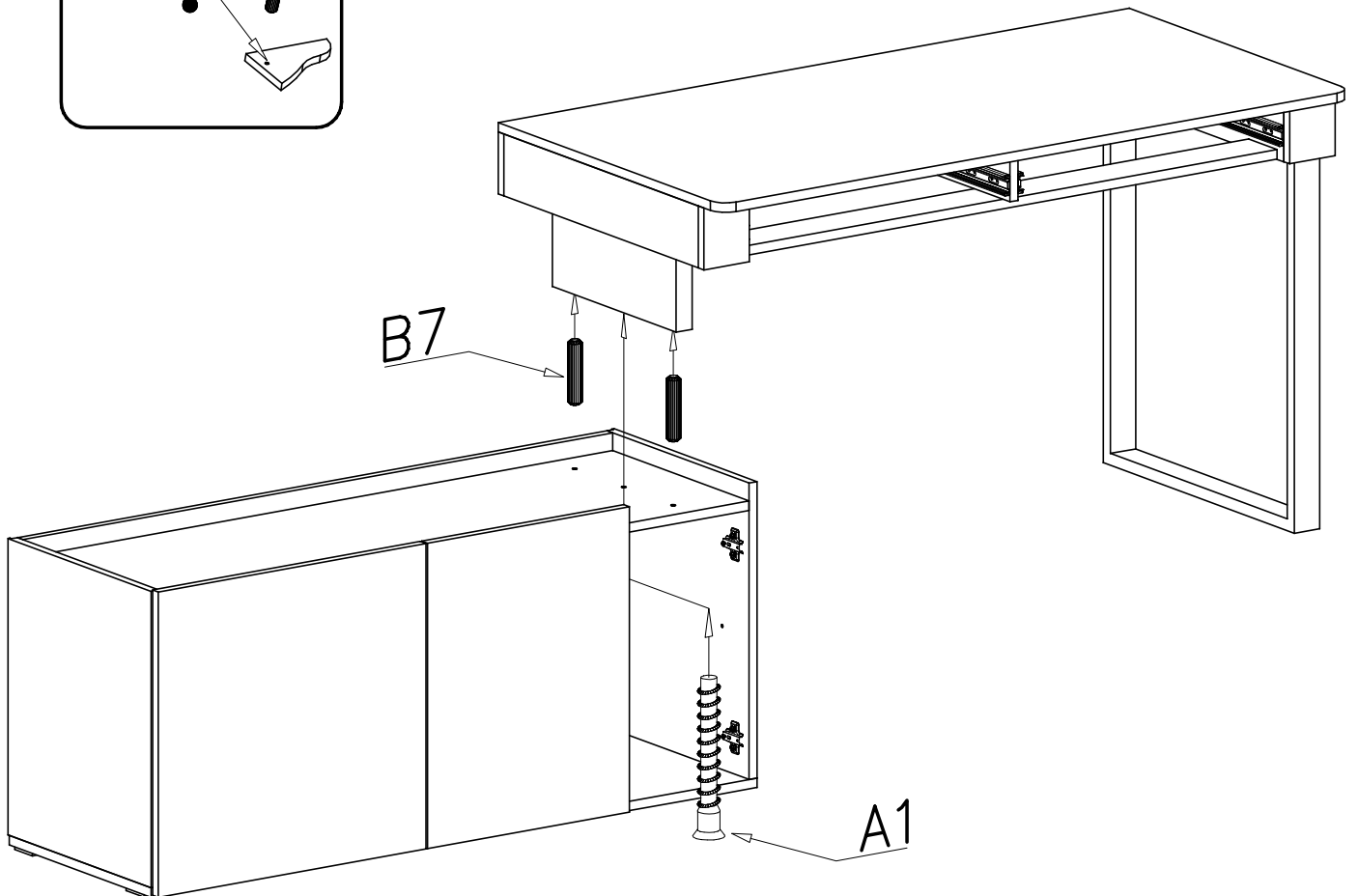
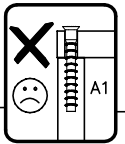
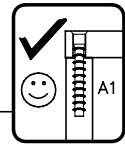
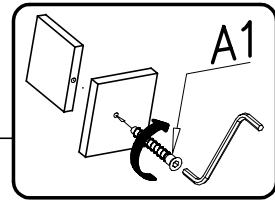
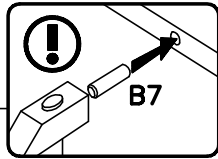
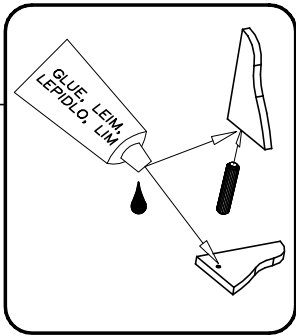
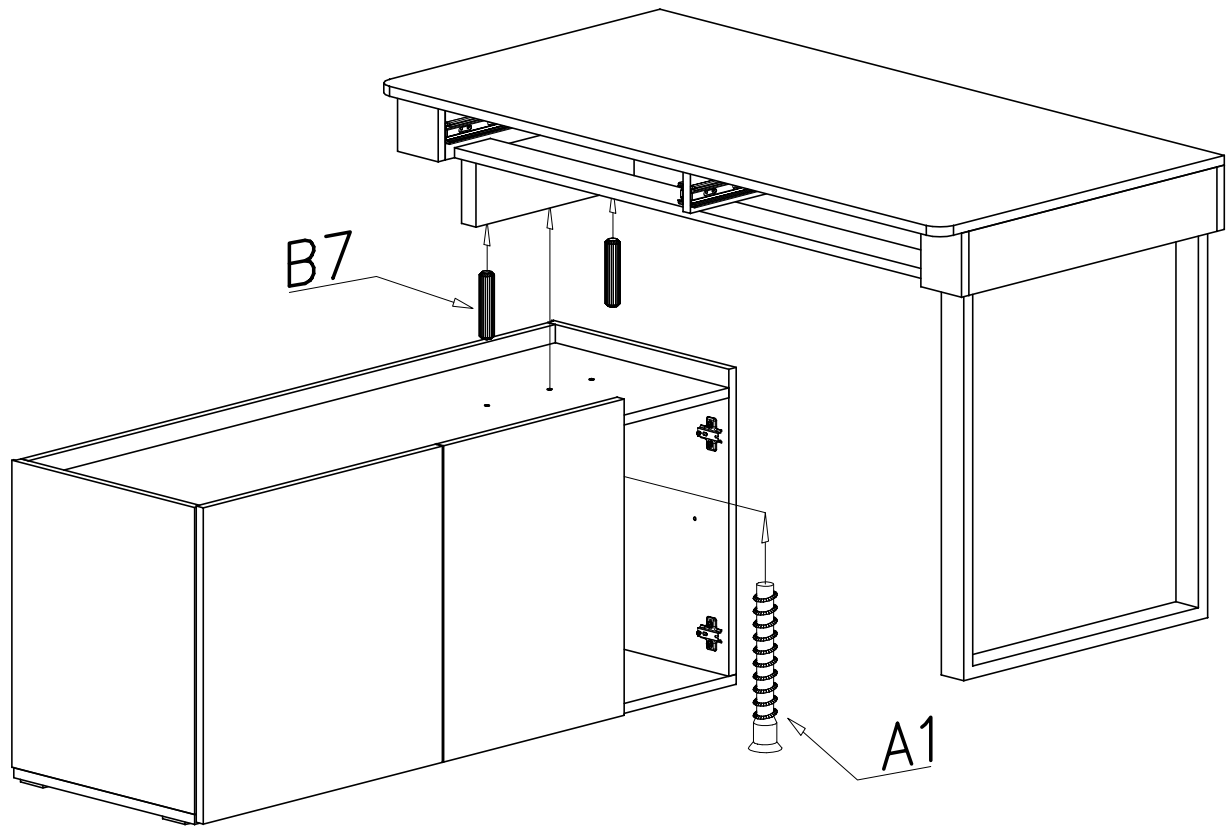
- 1 
- 2 



XIV



XV



XVI

