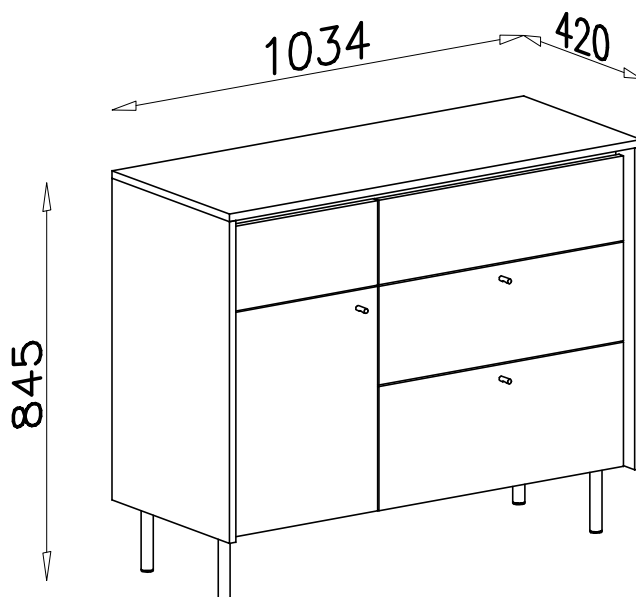
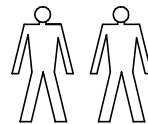
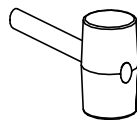
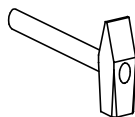
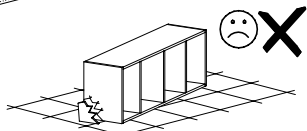
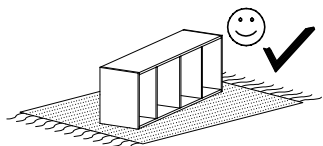
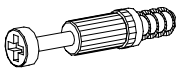


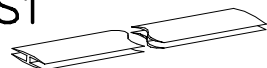

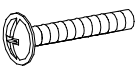

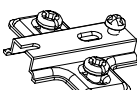

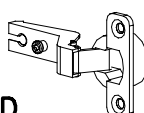



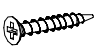
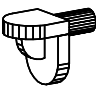
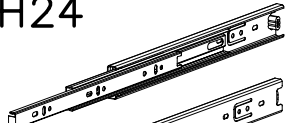


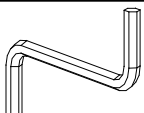

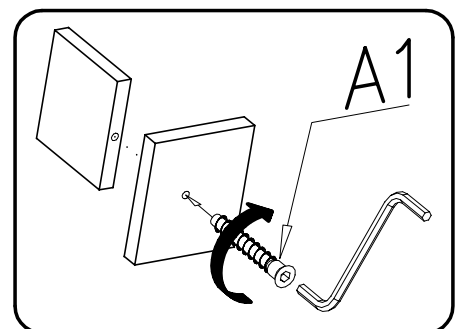
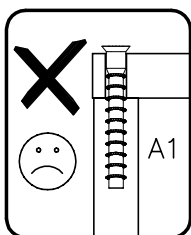
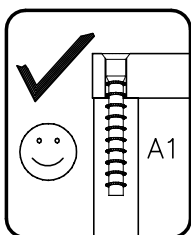
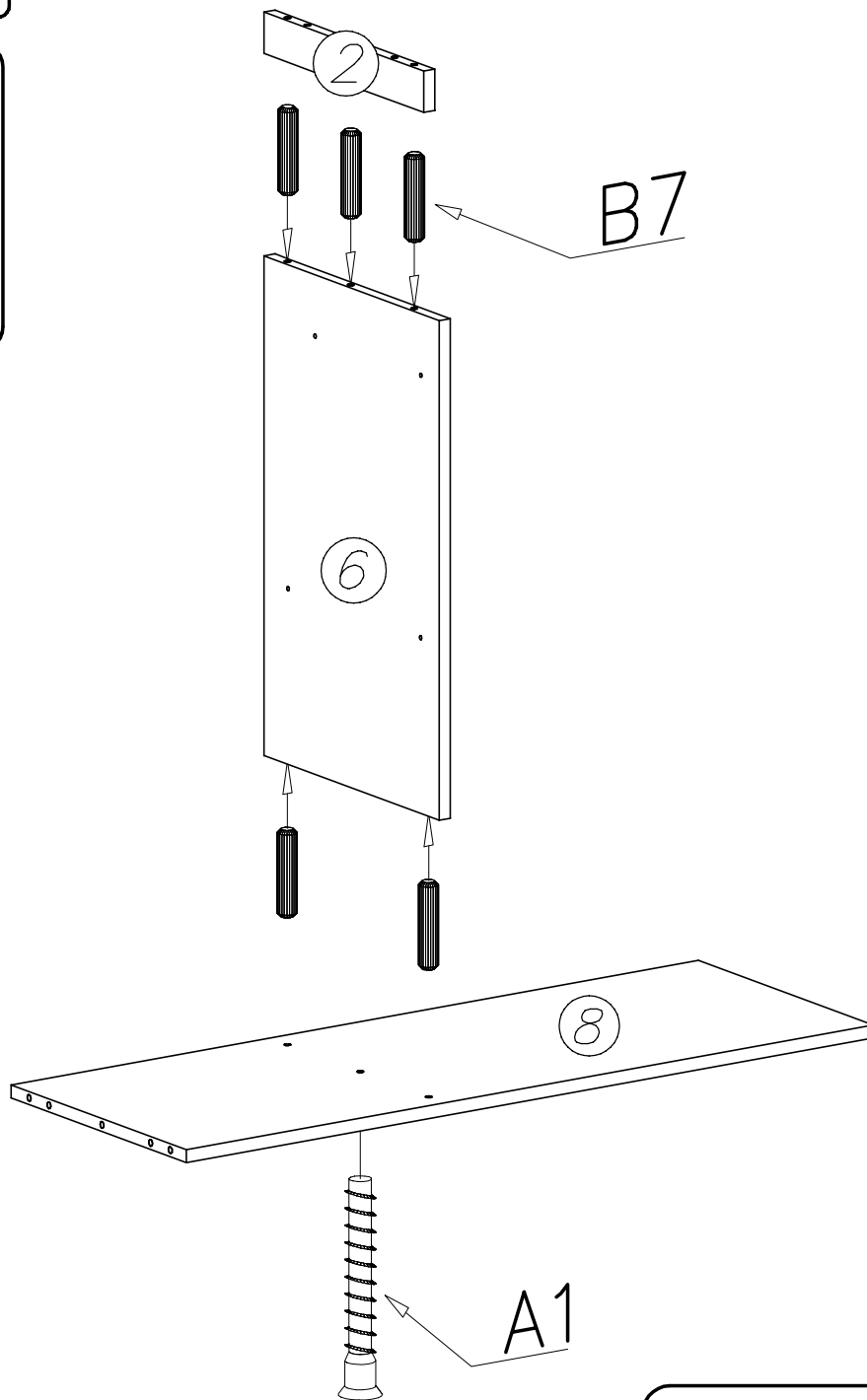
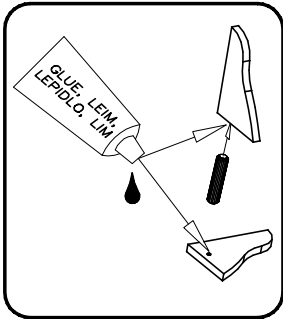
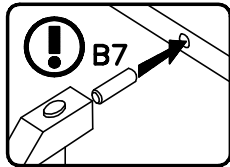


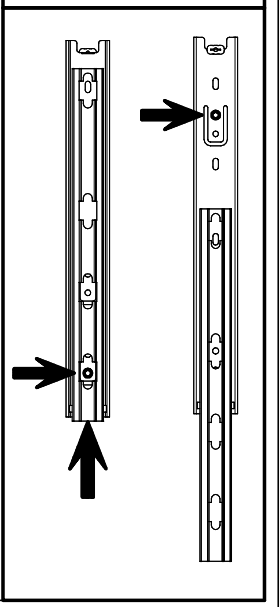
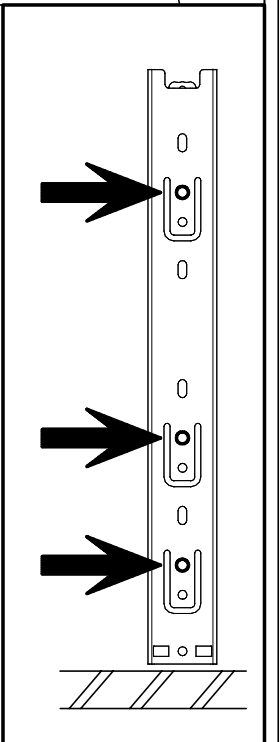
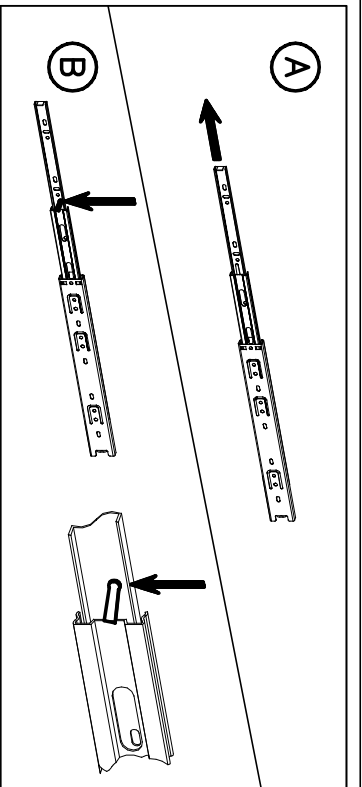
MALTA MA 7



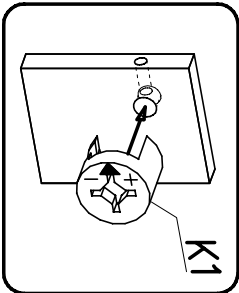
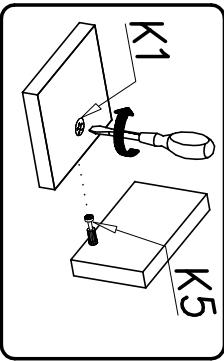
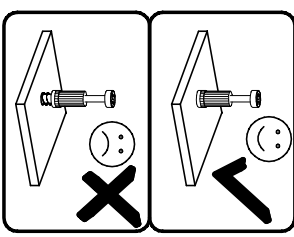
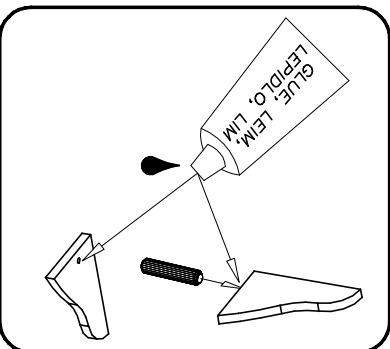
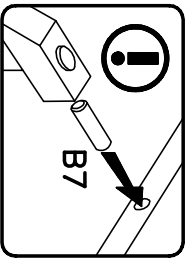
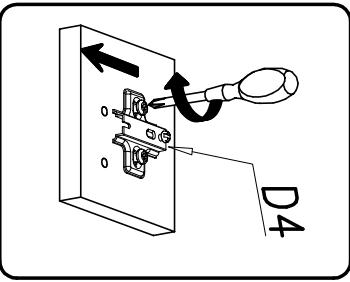
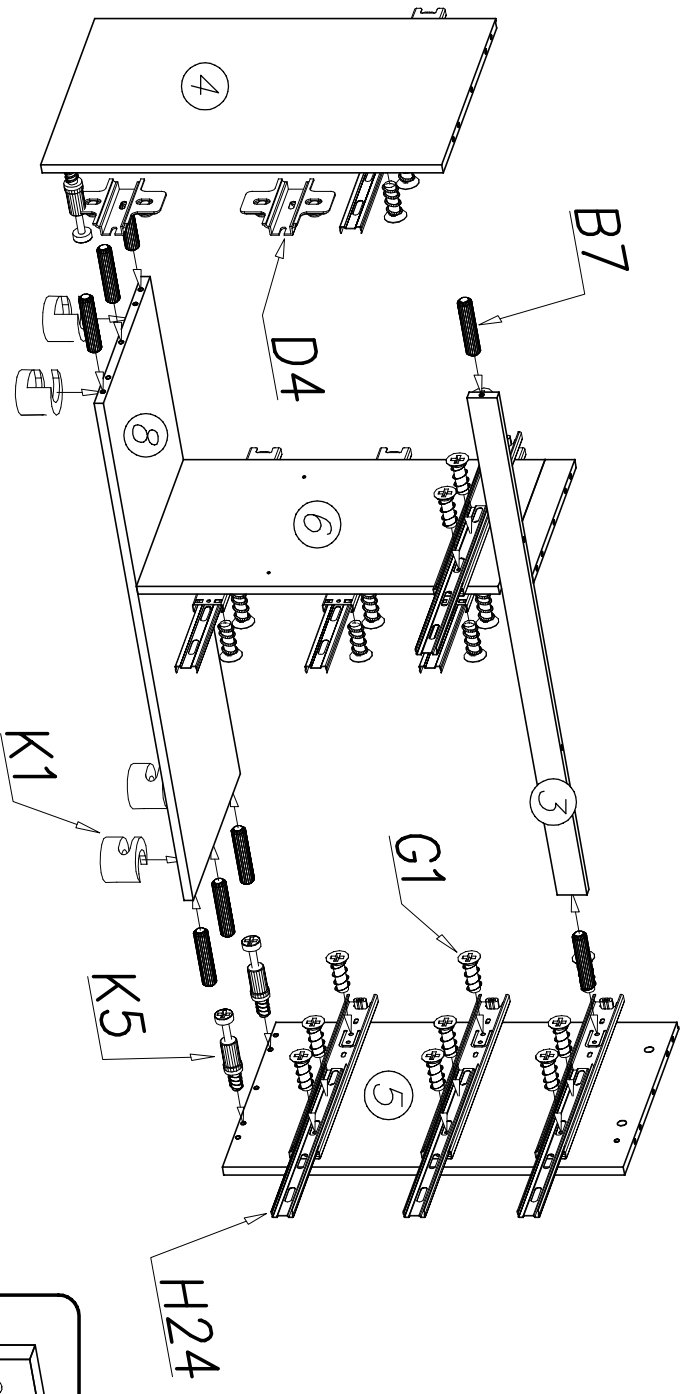
K5  x12 K1  $\varnothing 15 \times 12$ x12		S2  x5	S1  665mm x1 I7  $\varnothing 18$ x12
N13  M4x22 x3	W1  GLUE, LEIM, LEPIDLO, LIM x3	D4  PZ350D x2	S9  x4 C4  Z350D x2 P6  x4
E13  x3	G4  4x16 x16	G2  3x20 x50	F1  x4 H24  350mm x4
A1  $\varnothing 7 \times 50$ x1	B7  $\varnothing 8 \times 30$ x54	W2  x1	G1  4x13 x40

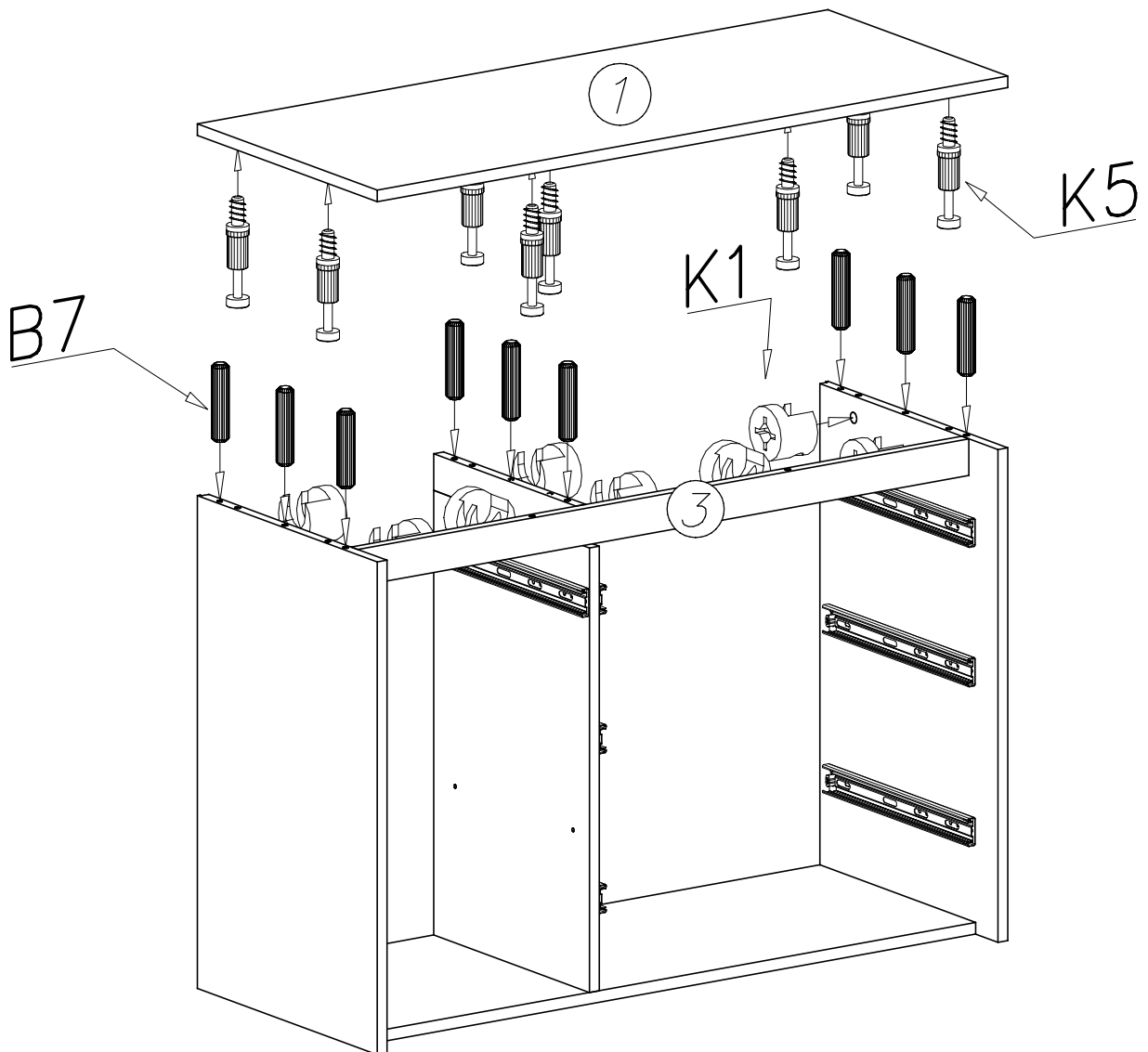
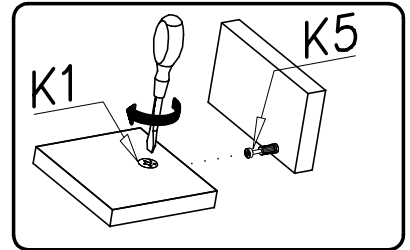
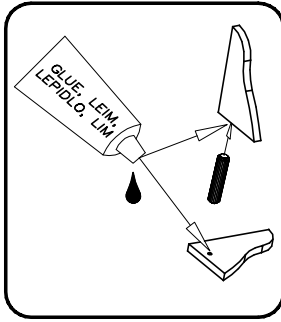
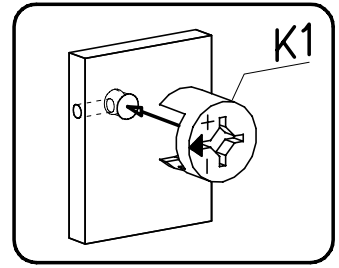
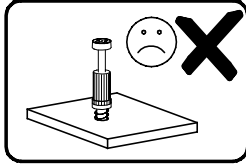
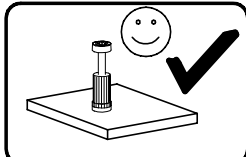
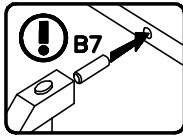
1



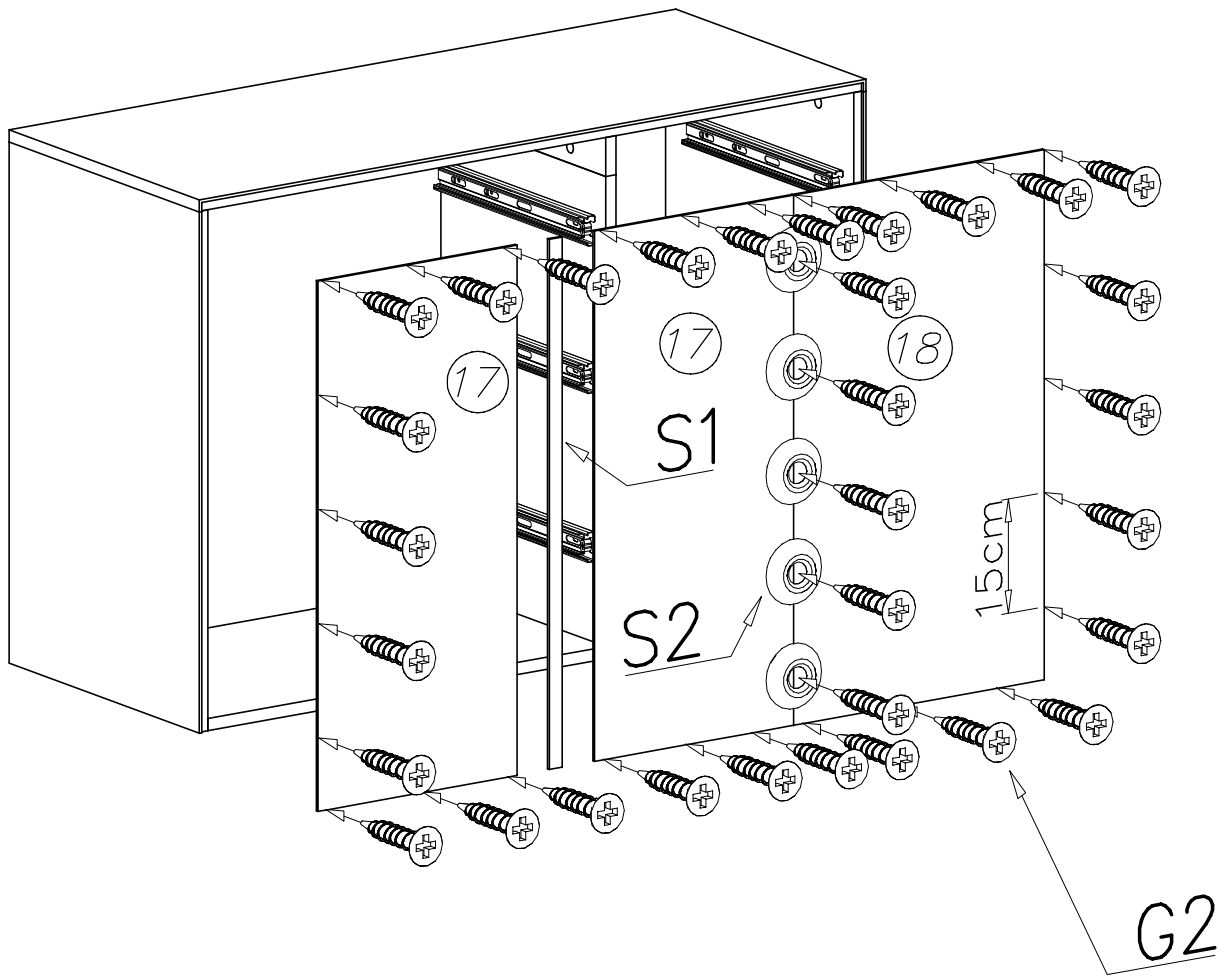
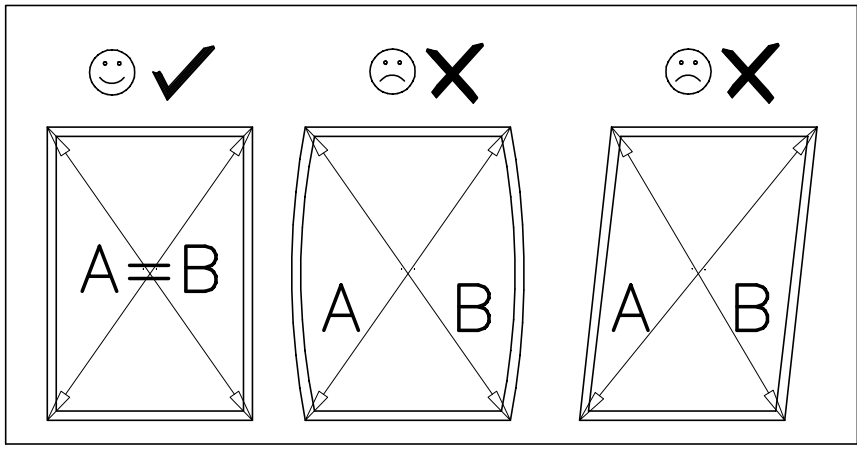


II

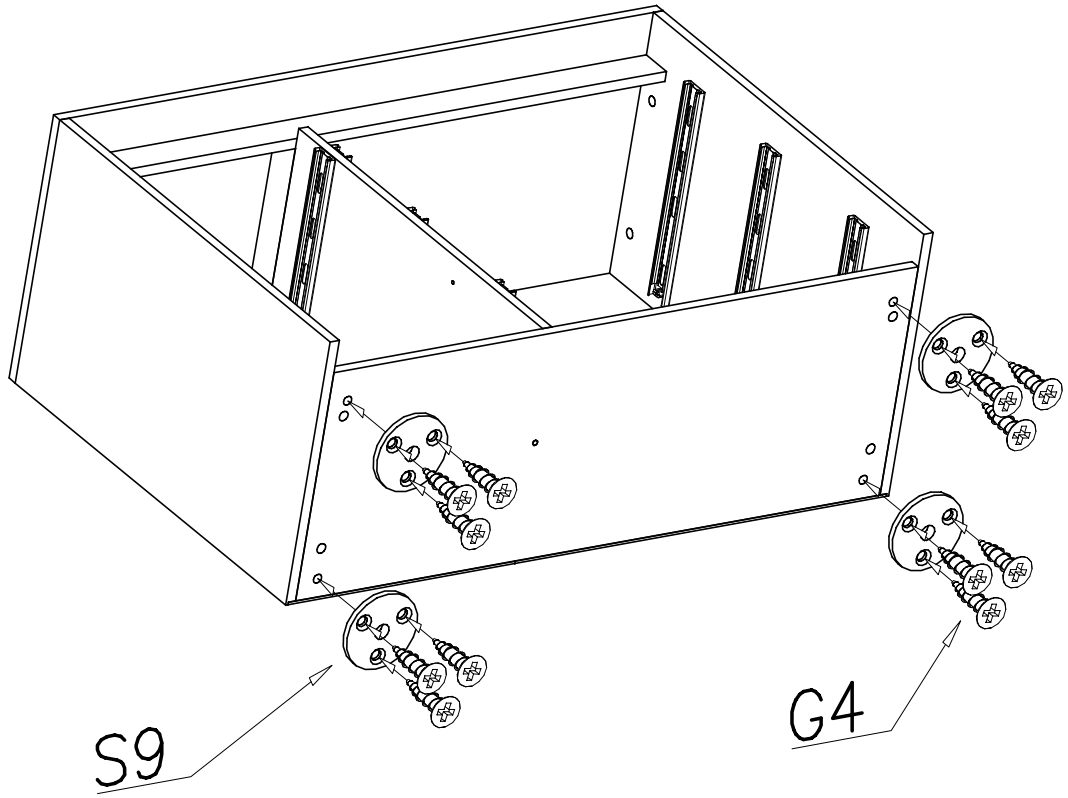




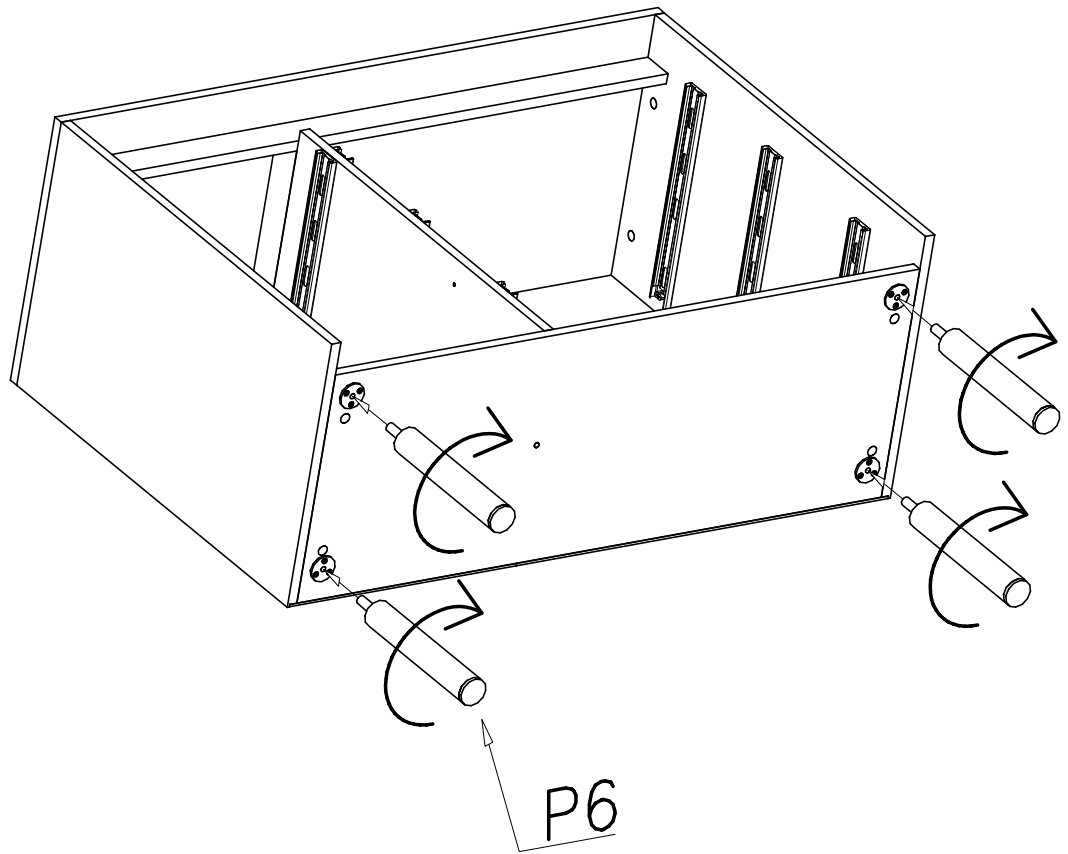
IV



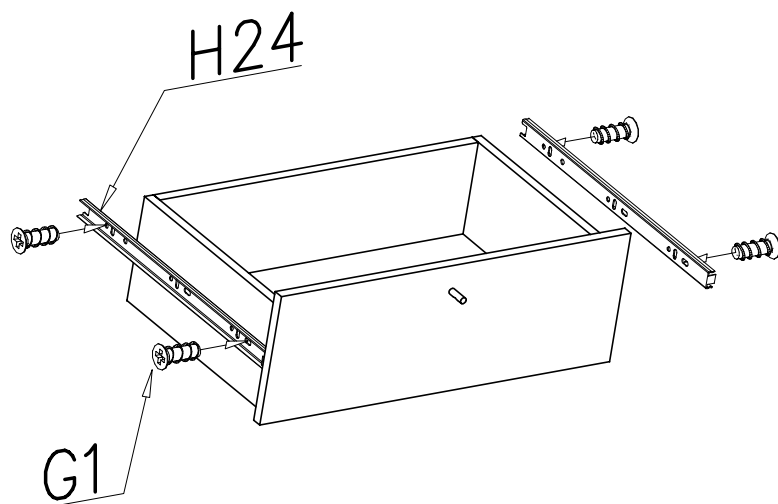
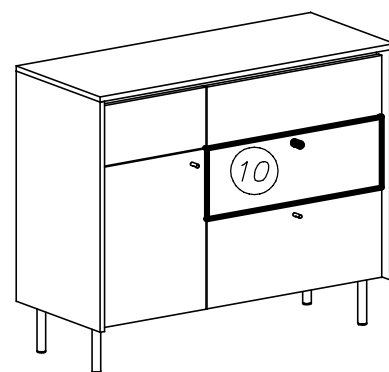
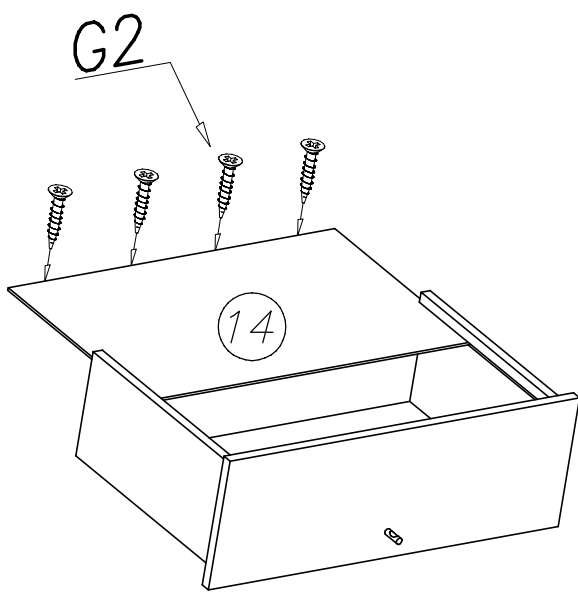
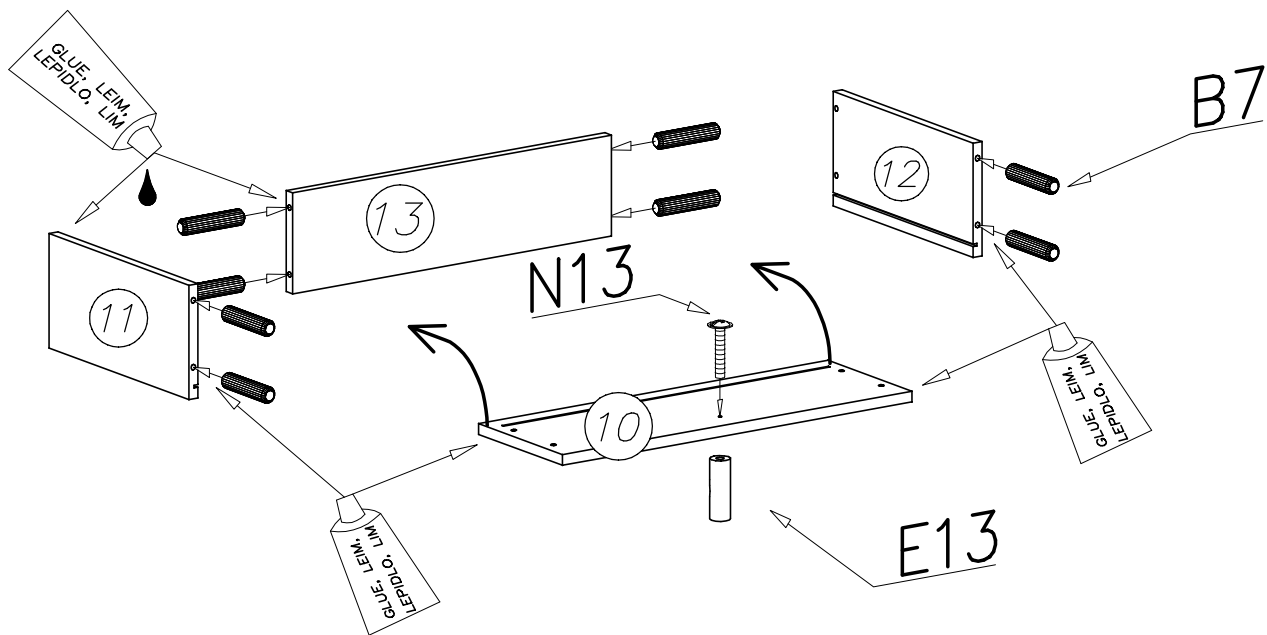
V



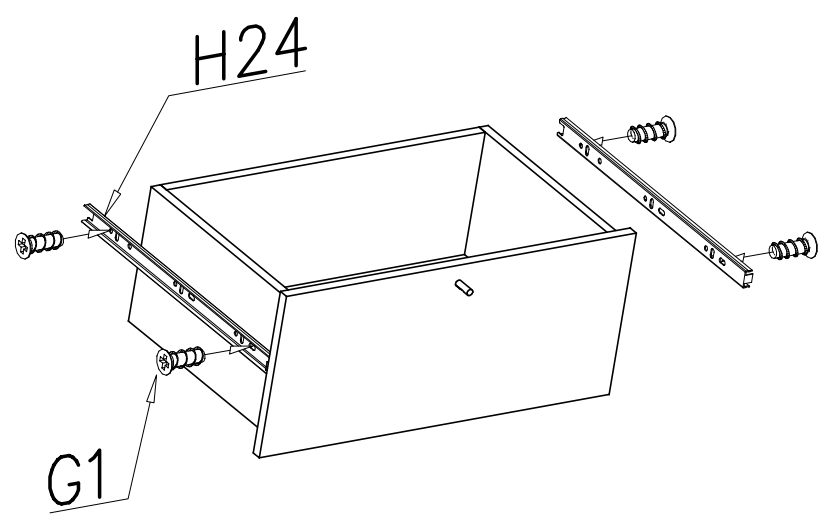
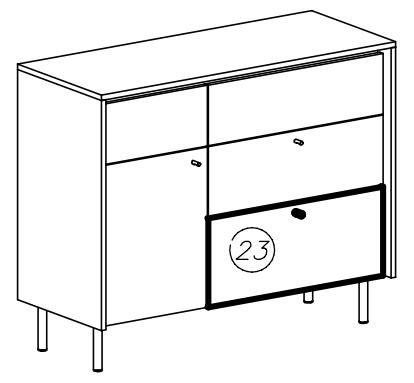
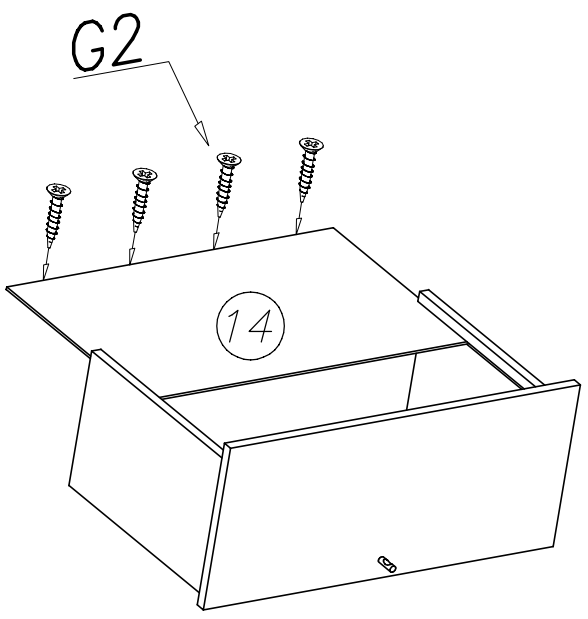
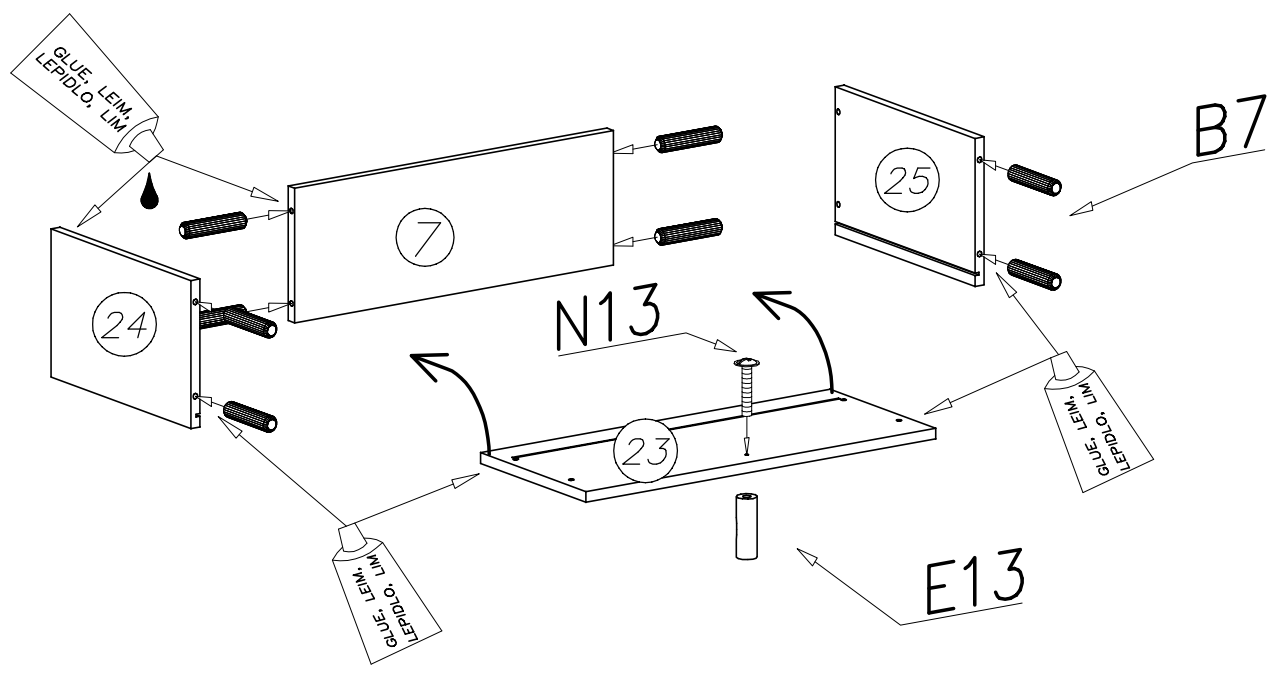
VI



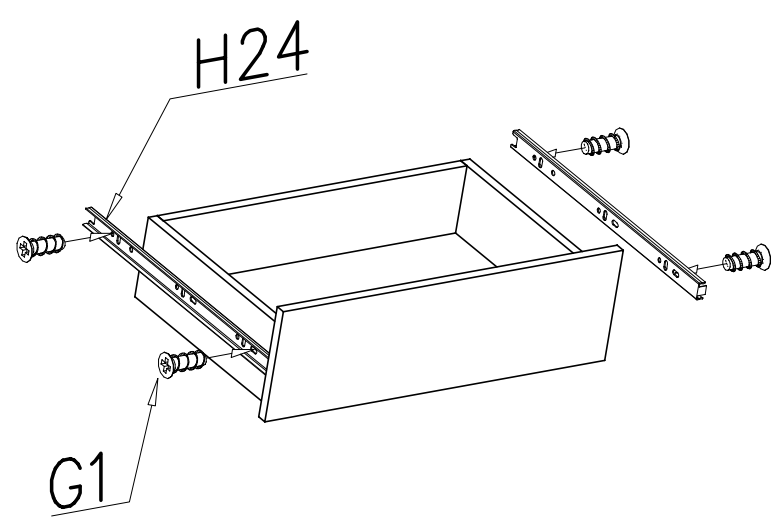
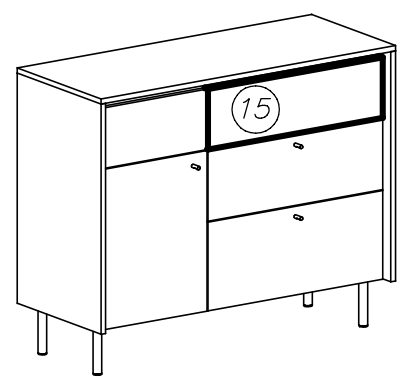
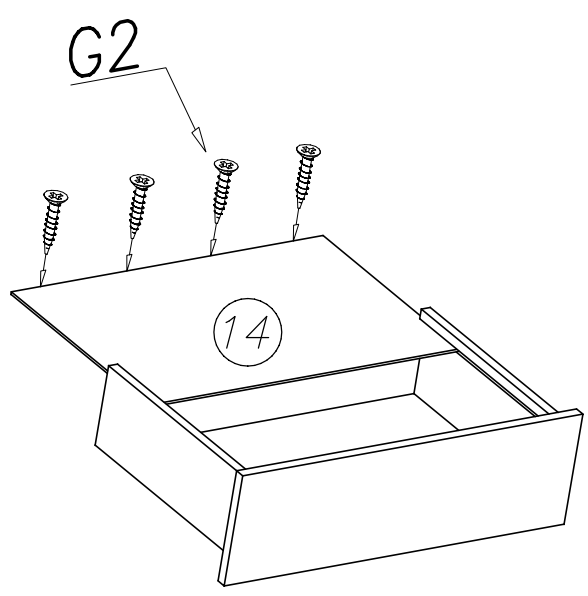
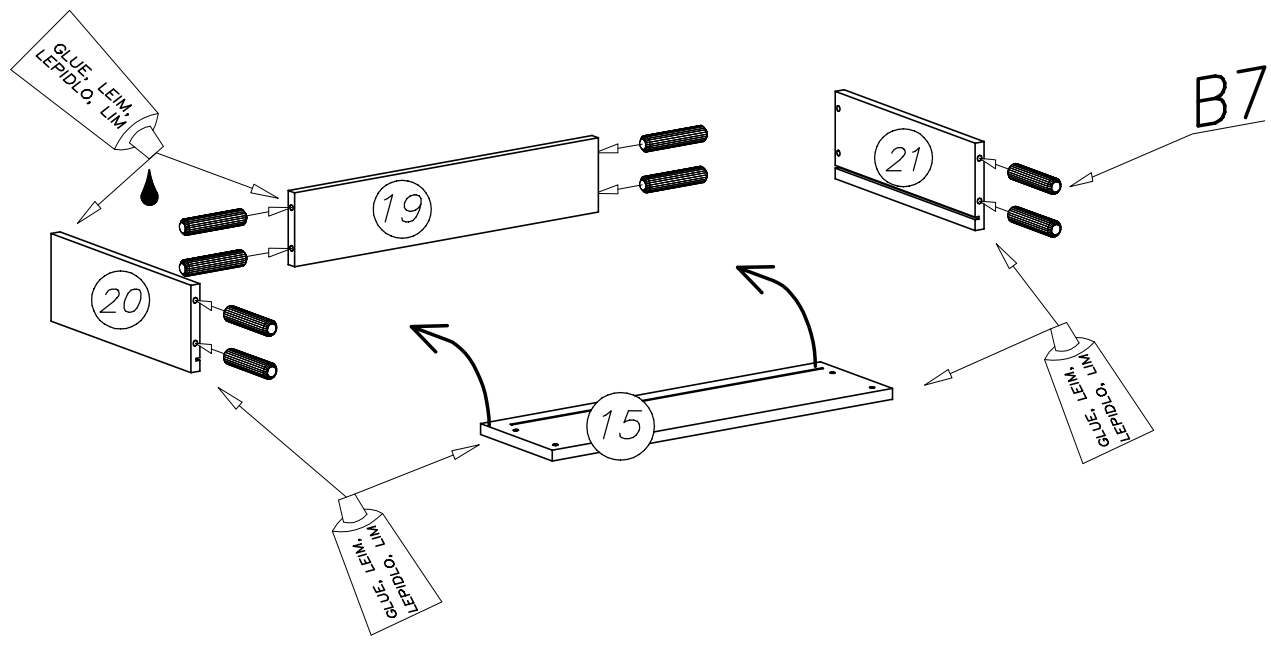
VII



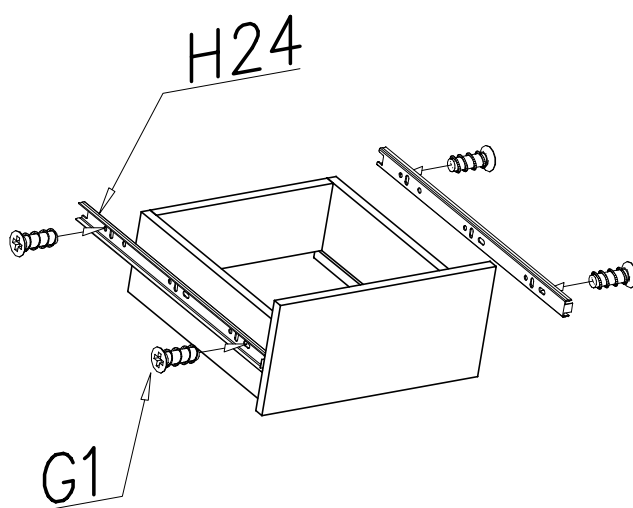
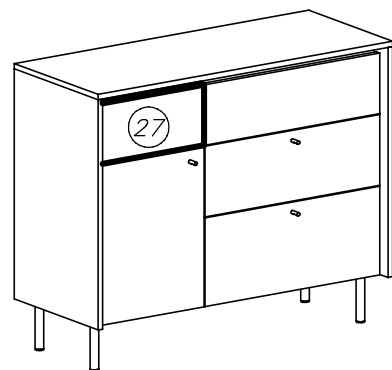
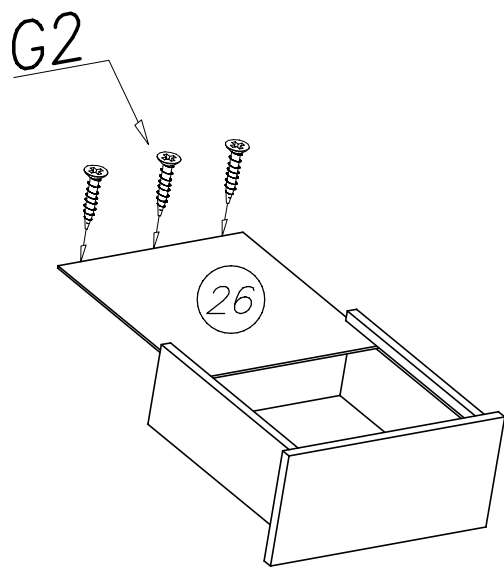
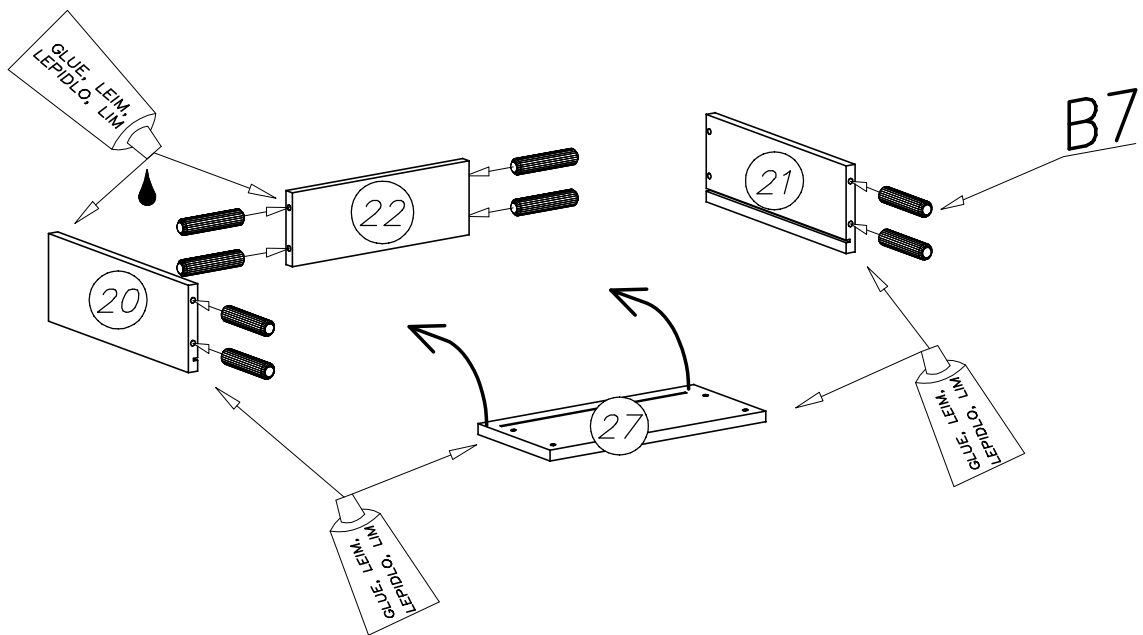
VIII



IX

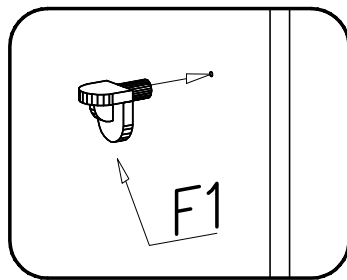


X



XI

1



2

