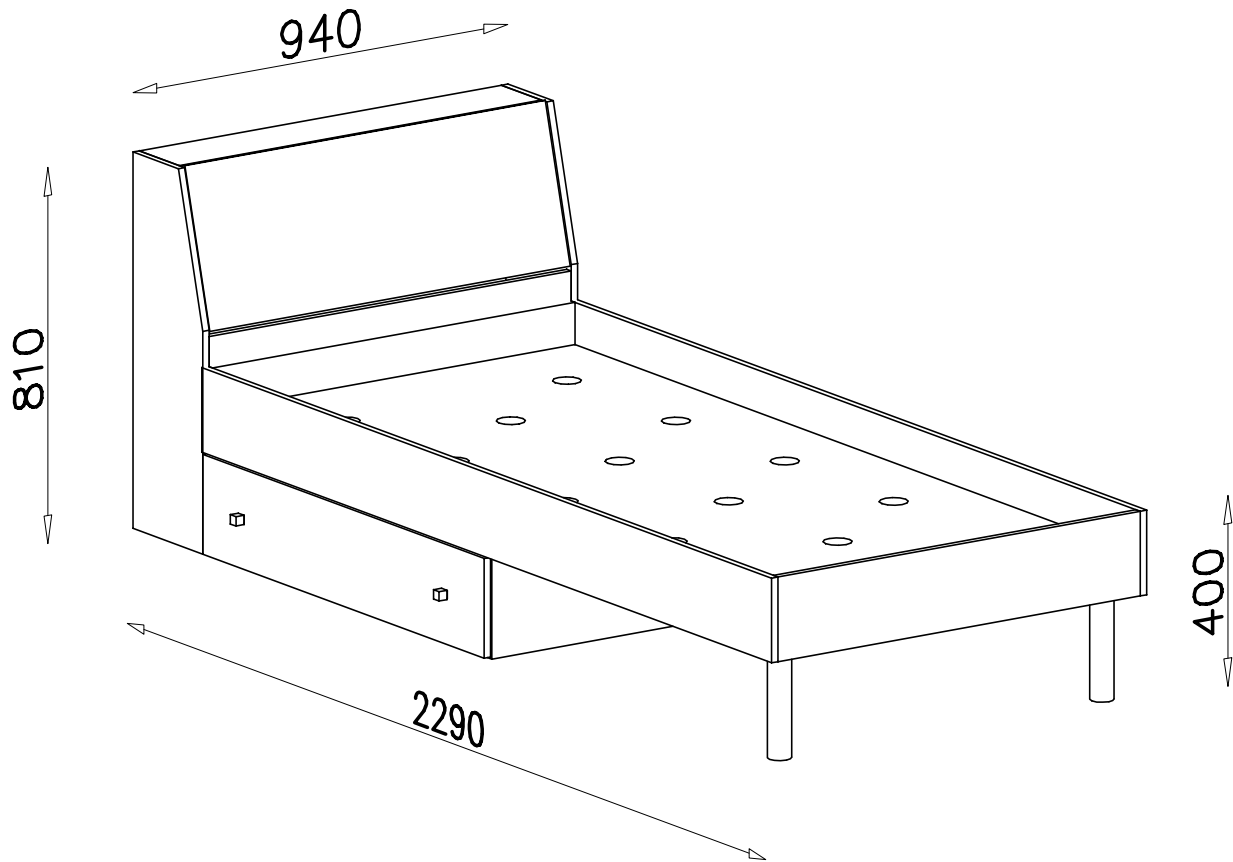
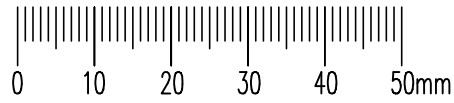
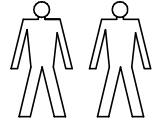
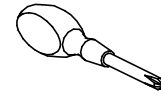
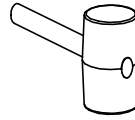
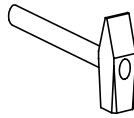
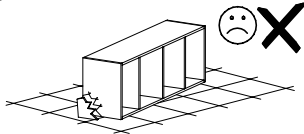
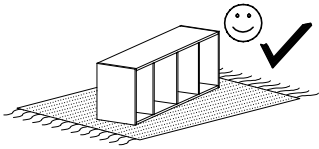
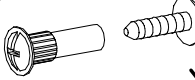

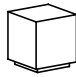
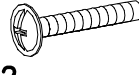
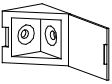
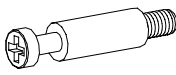
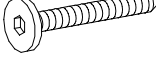
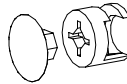
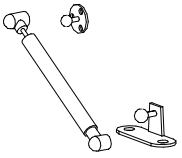
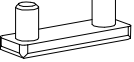


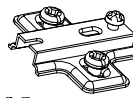

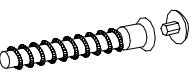

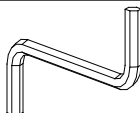
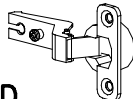

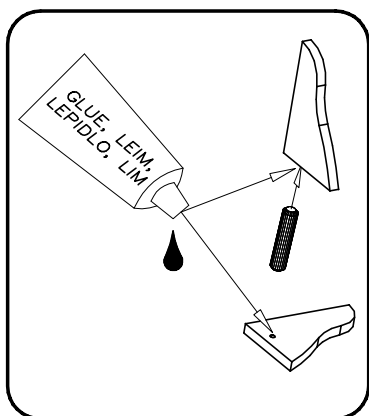
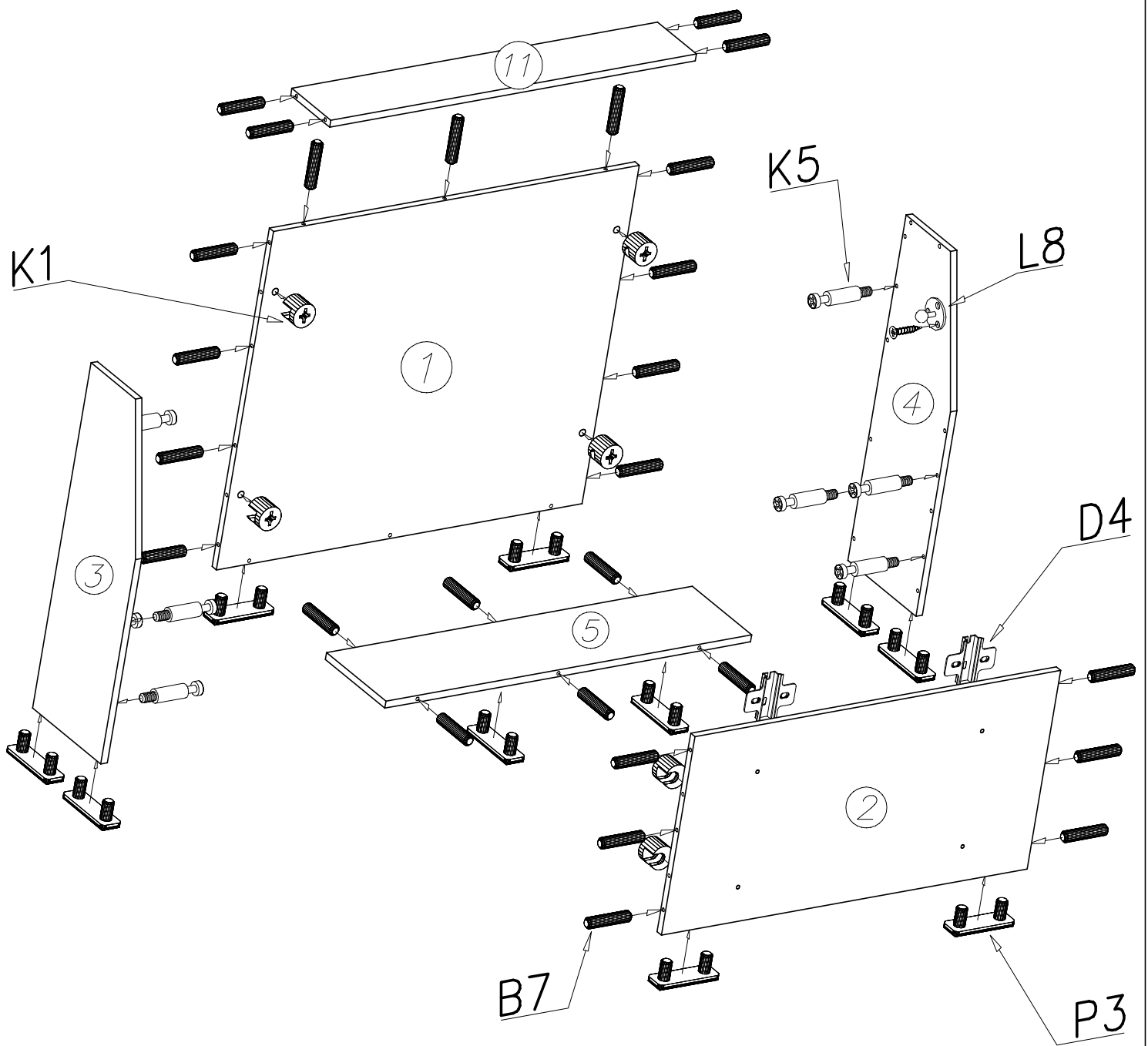


FARO FR14 L/P

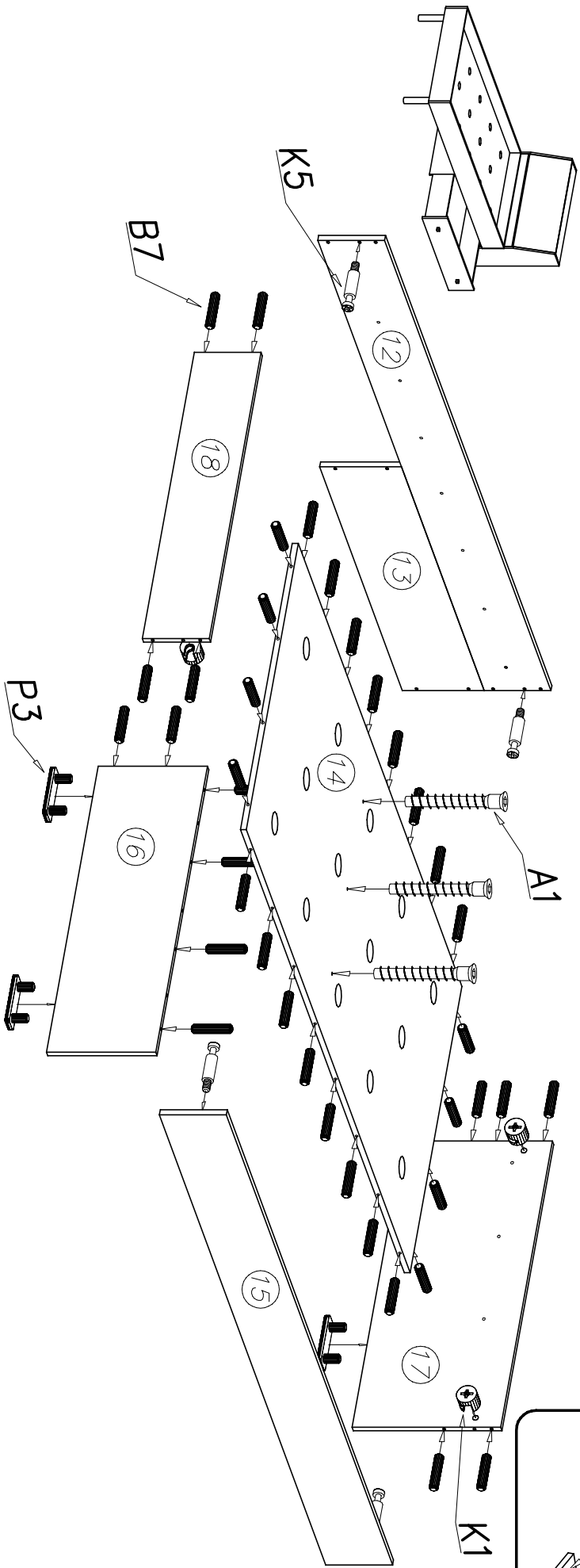
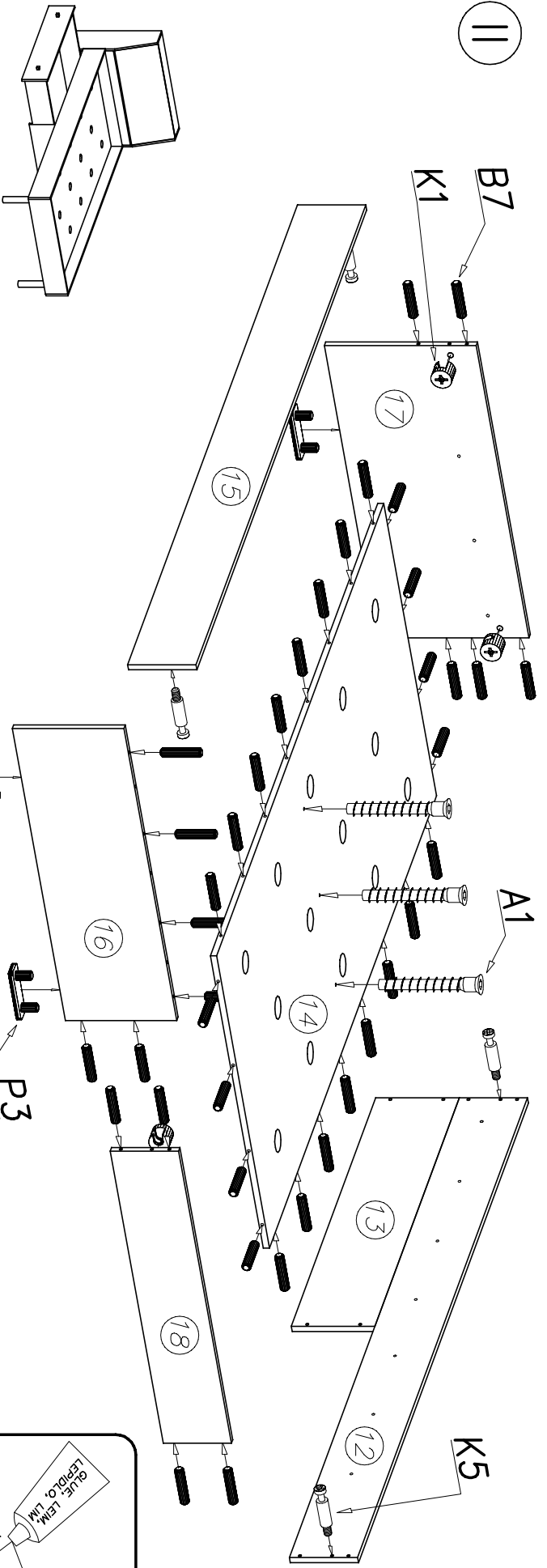


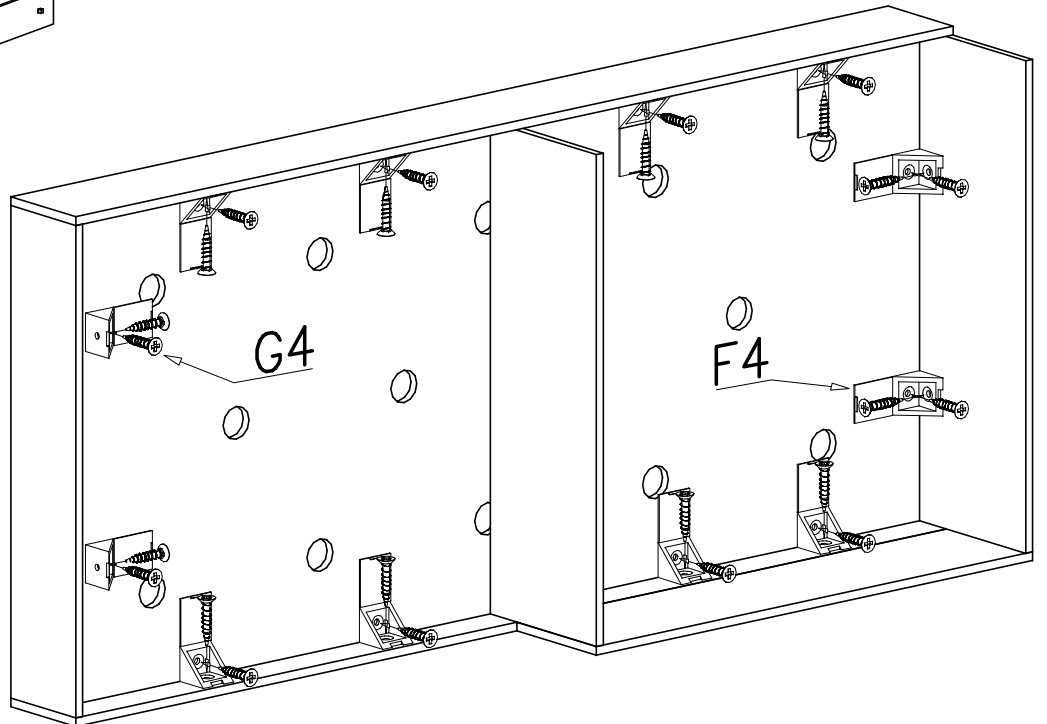
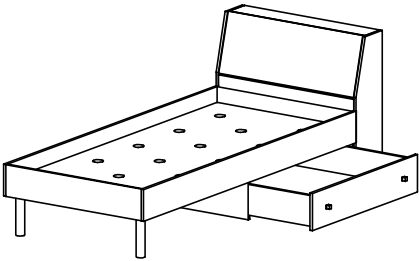
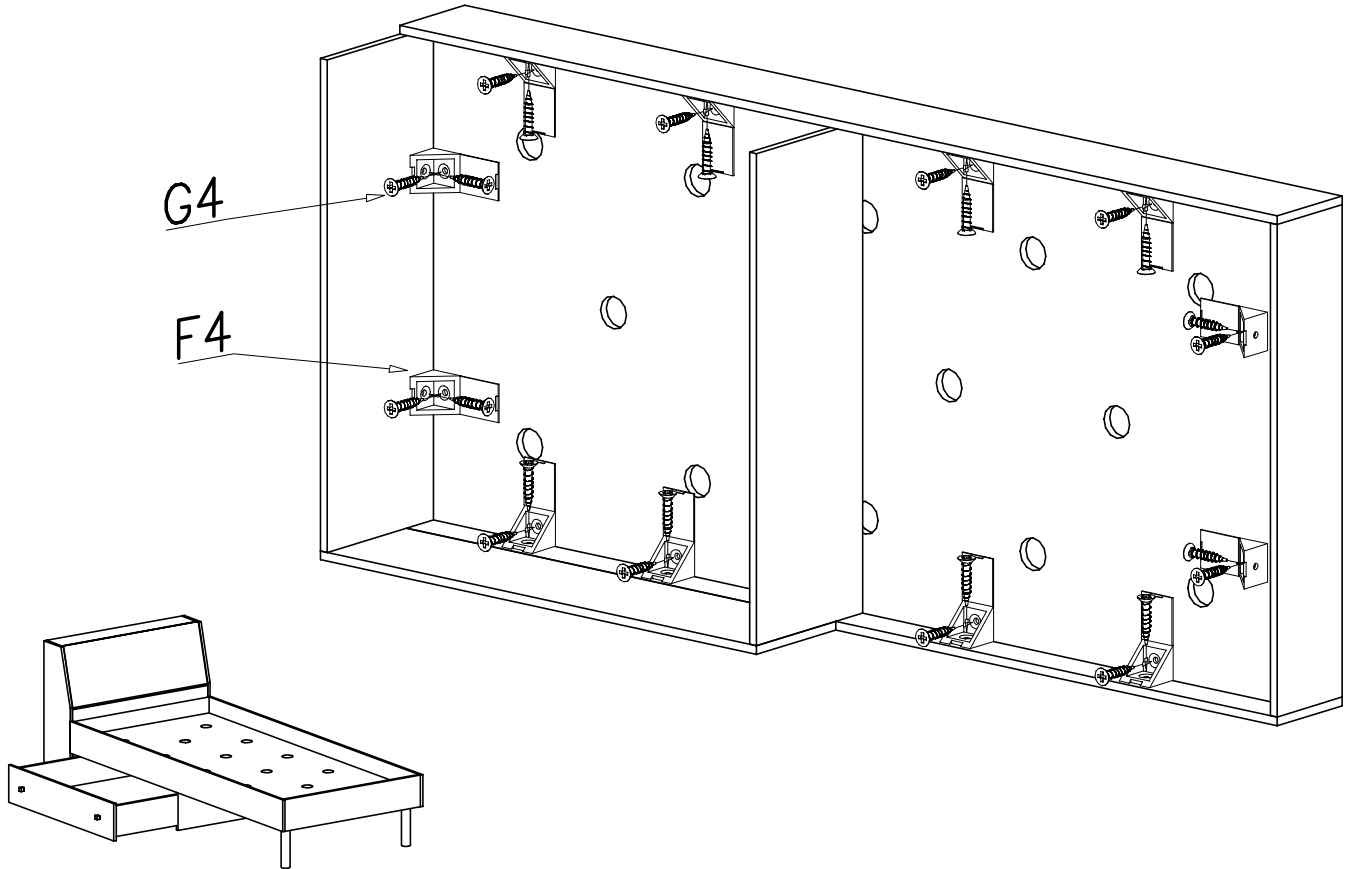
N7  x4	P27  300mm x2	E38  x2	N13  M4x22 x2	
F4  x12	K5  x12	N4  M6x40 x2	K1  ø15x12 x12	L8  x1
P3  x14	G4  4x16 x36	W1  x5	D4  PZ350D x2	80N  x1
A1  ø7x50 x11	B7  ø8x30 x89	W2  x1	C4  Z350D x2	P24  x4

1

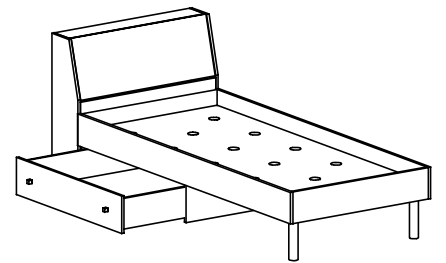
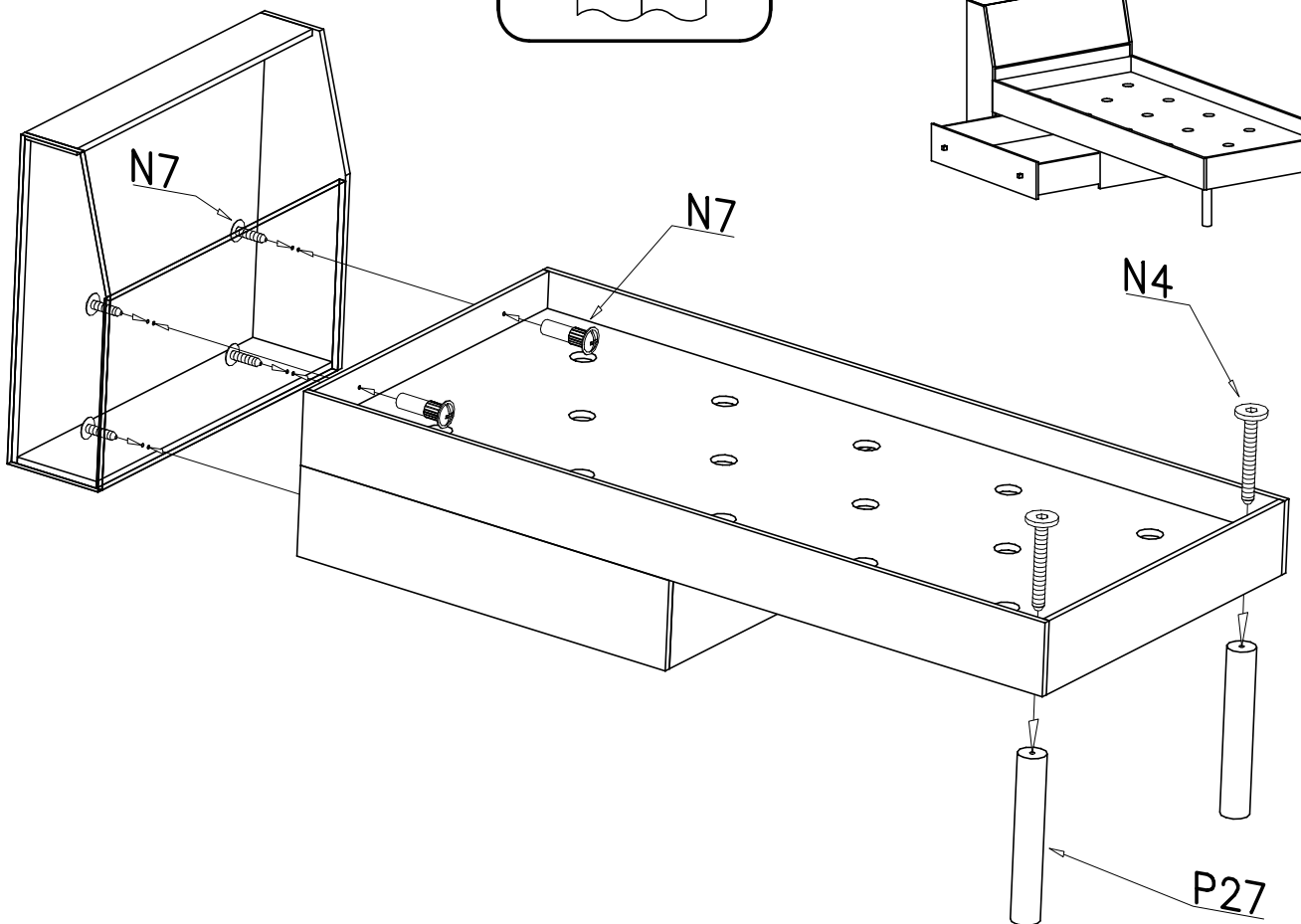
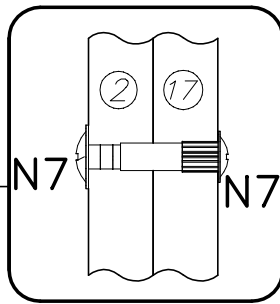
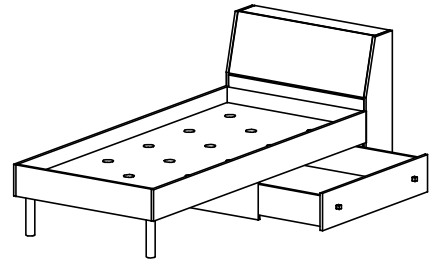
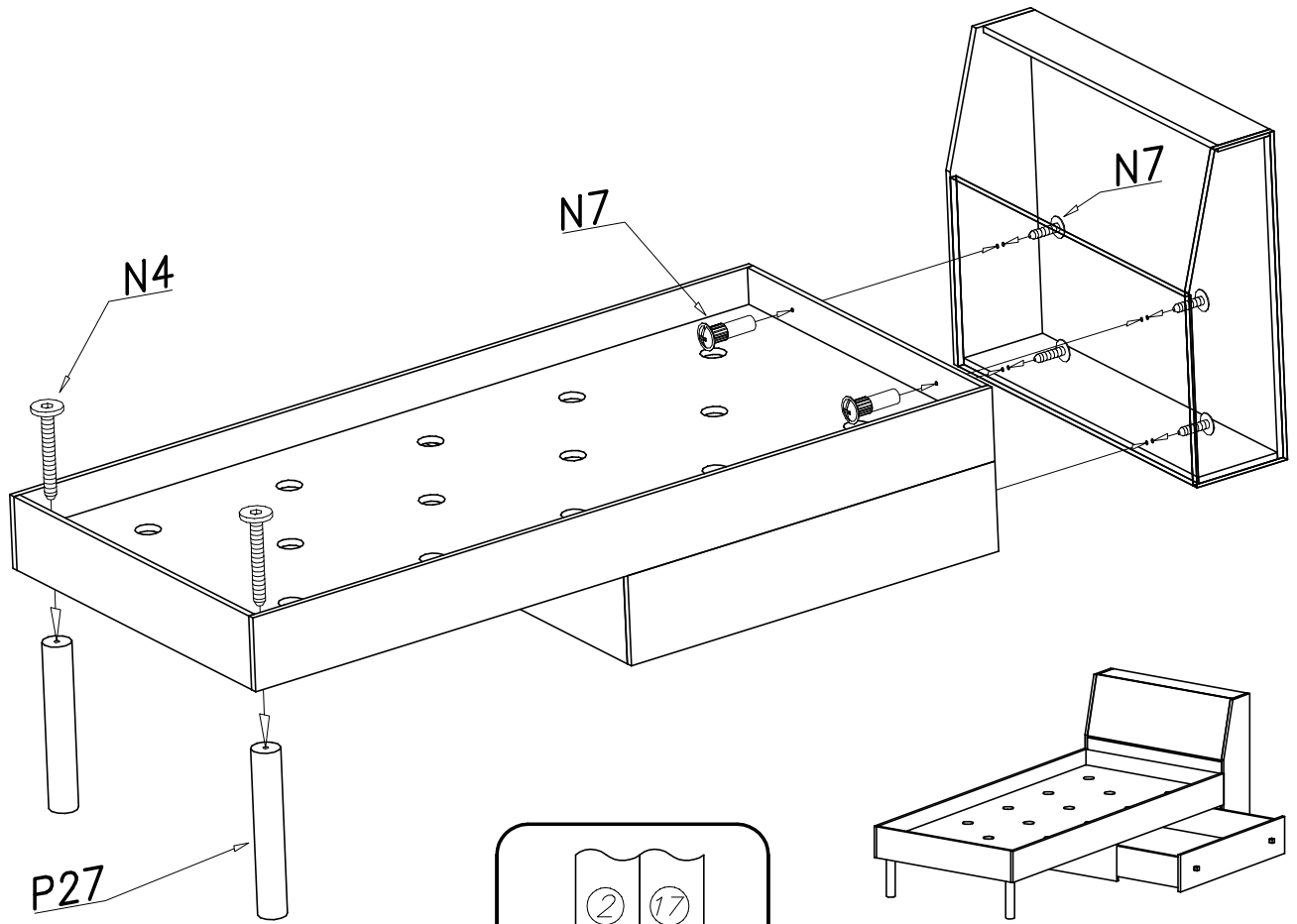


11

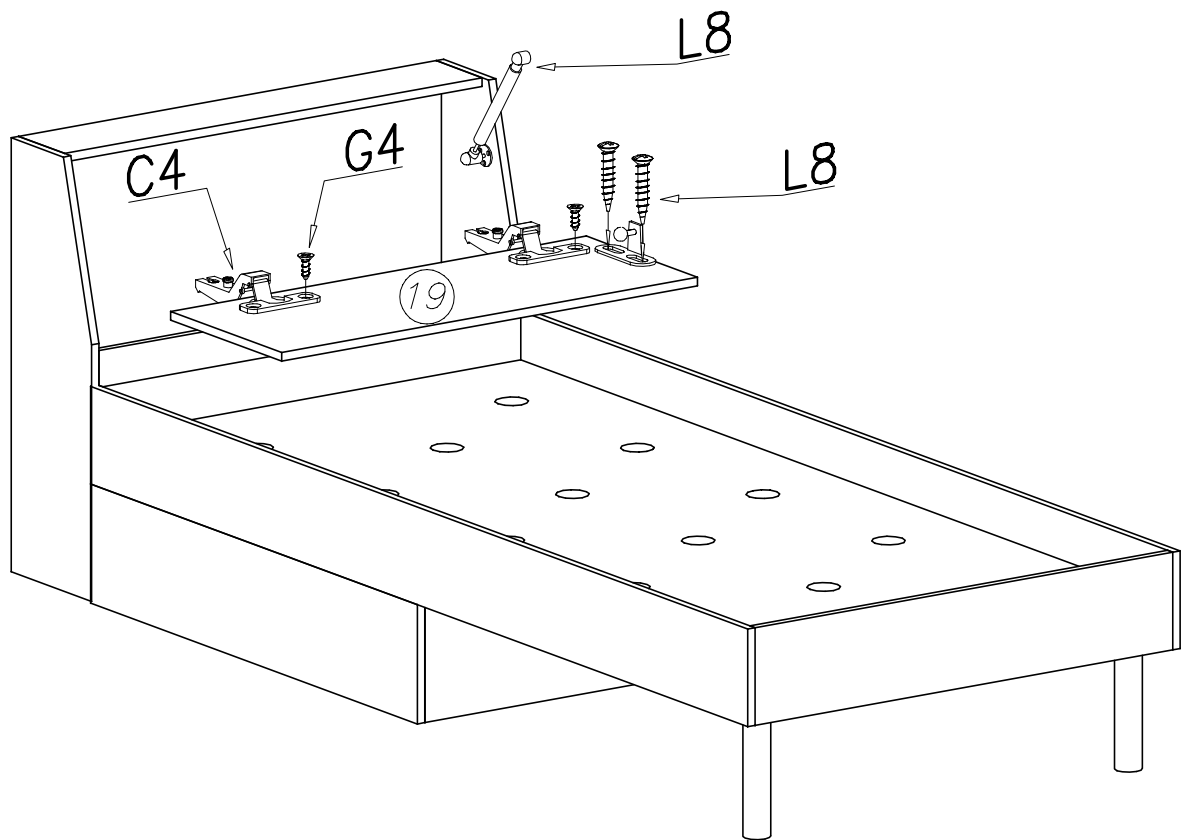
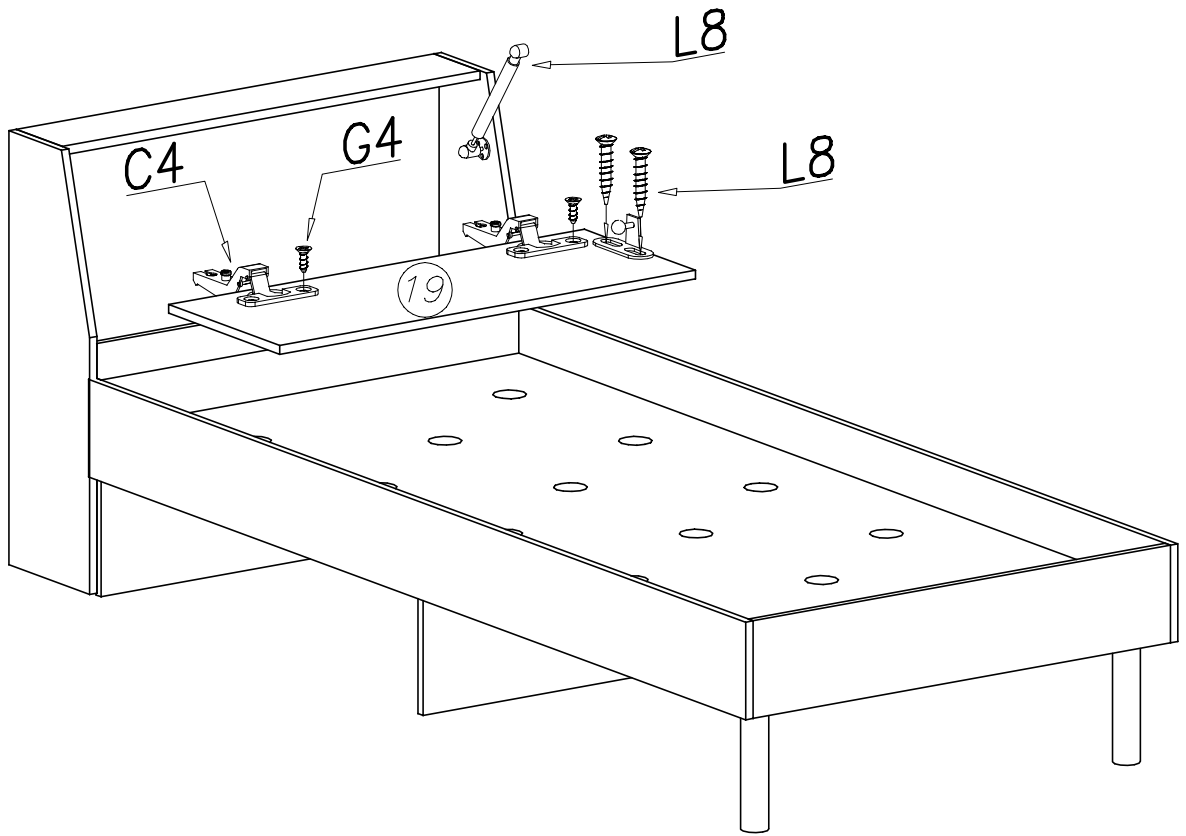




IV



V



VI

