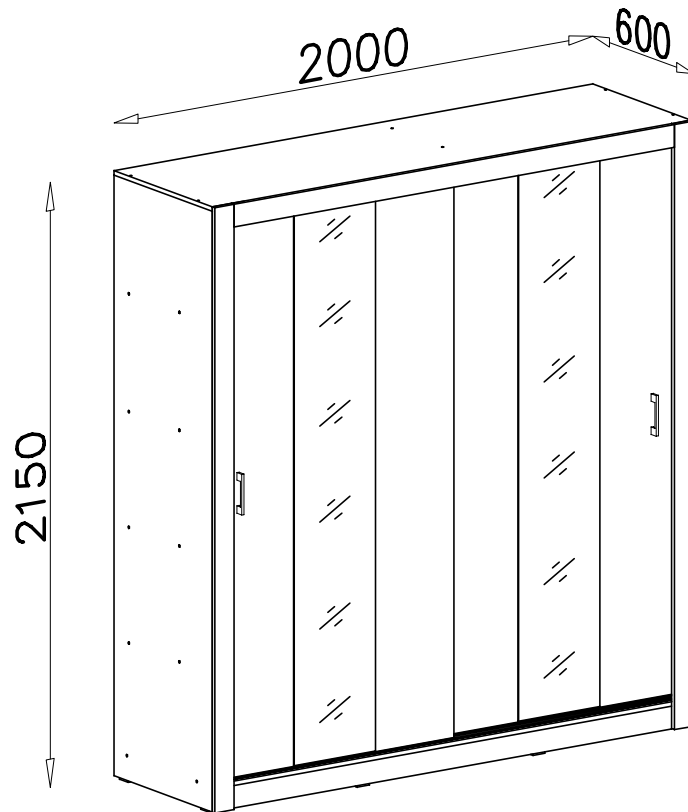
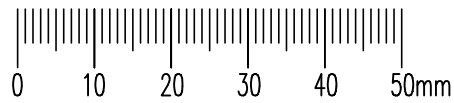
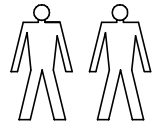
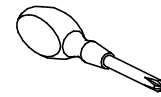
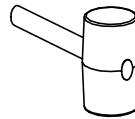
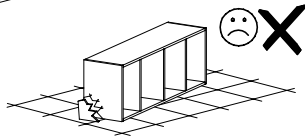
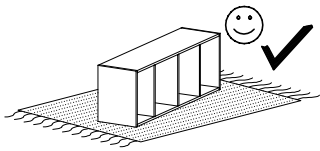

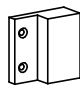
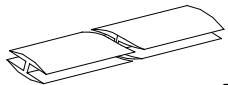

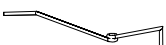
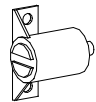
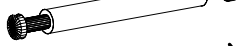
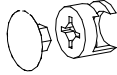




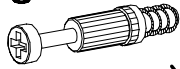
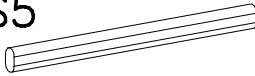
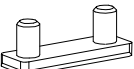
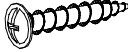
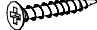



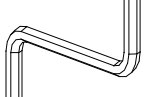
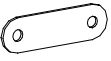
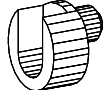
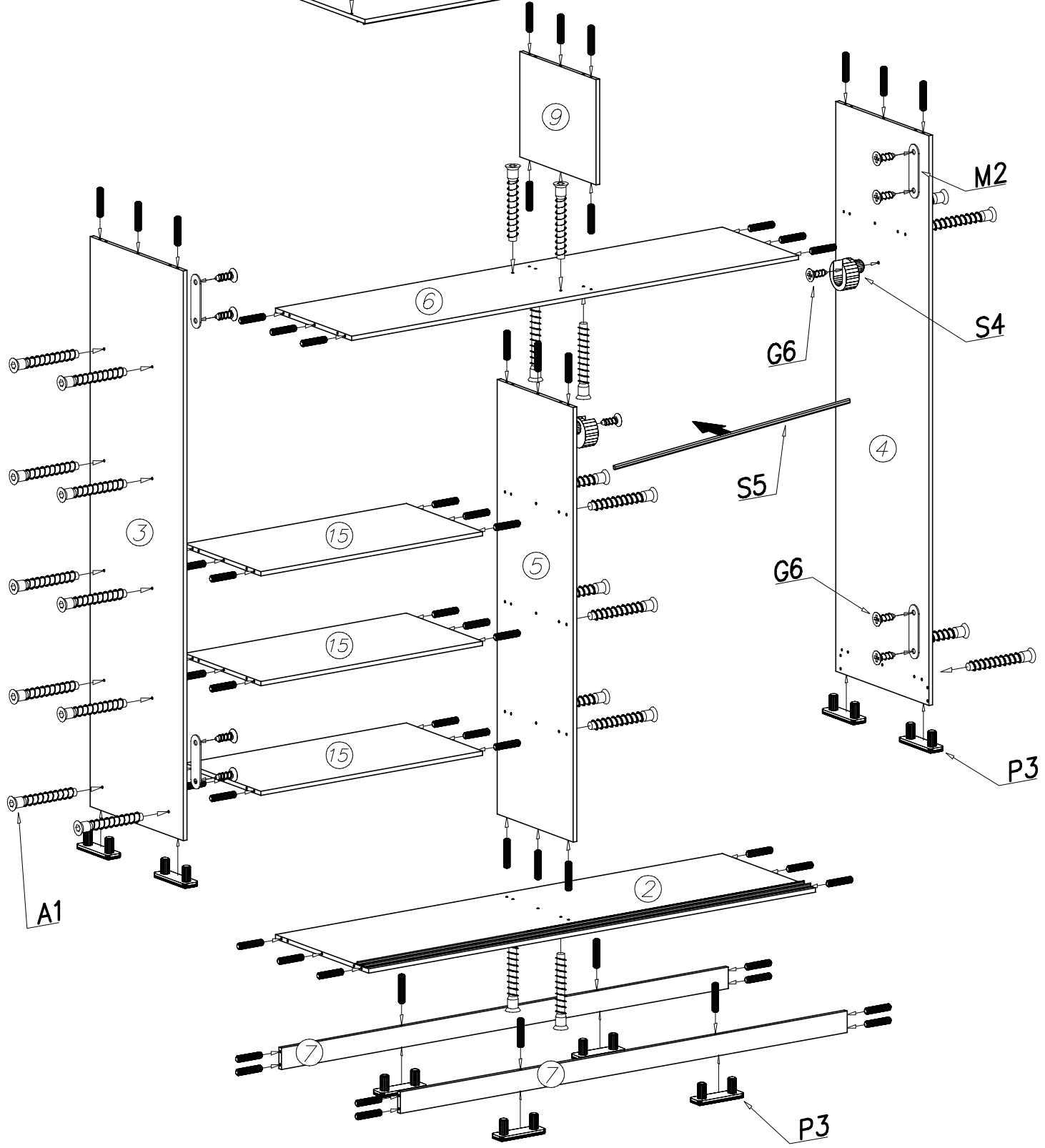
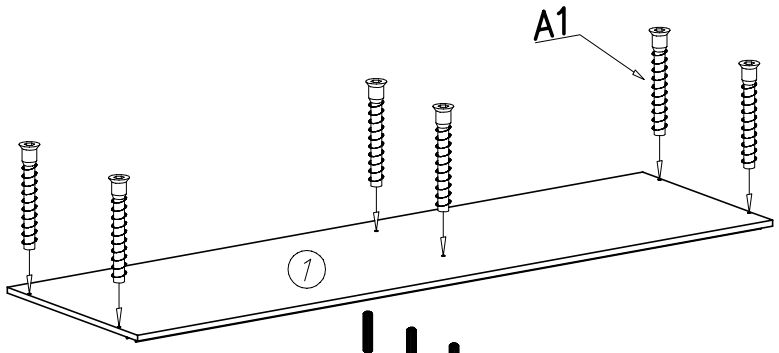
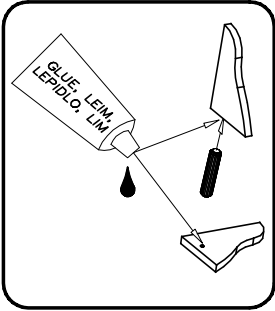


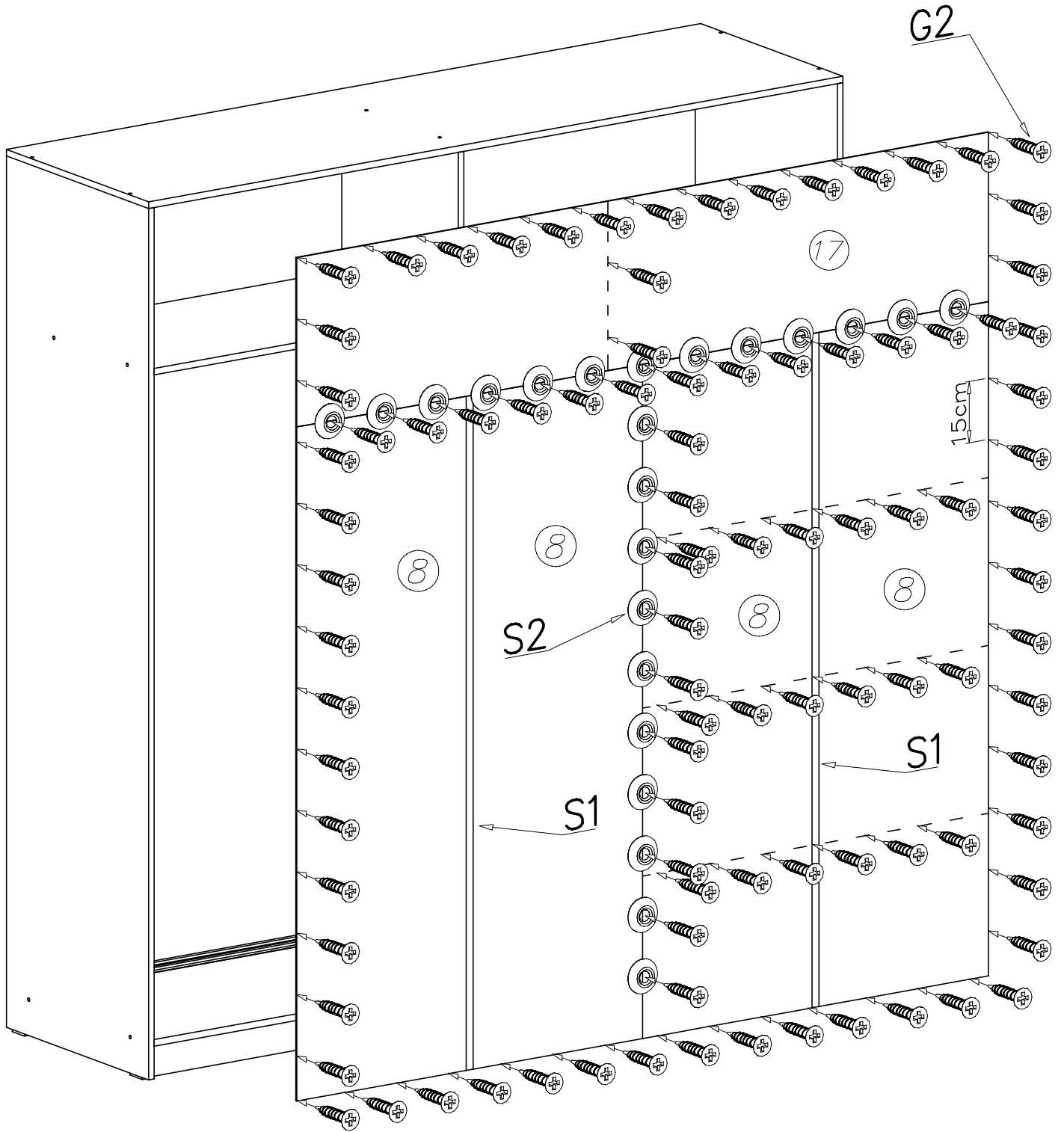
# DUCA DC II

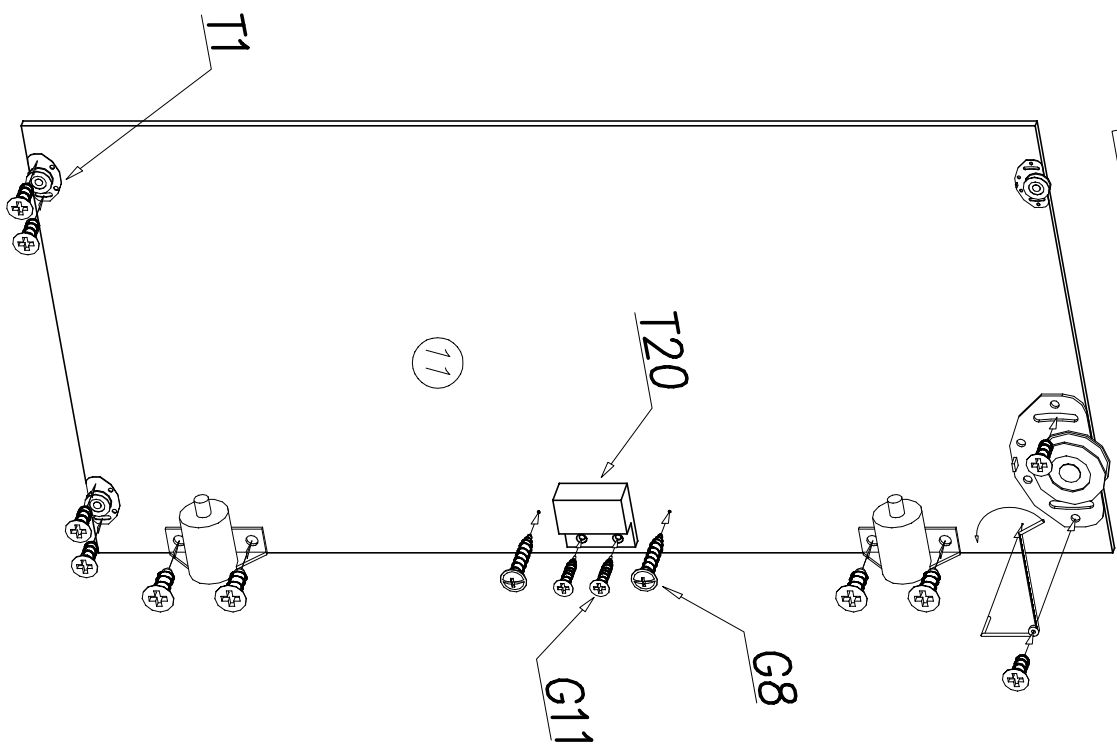
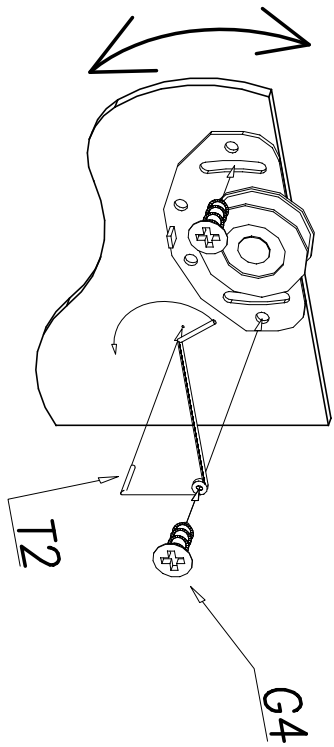
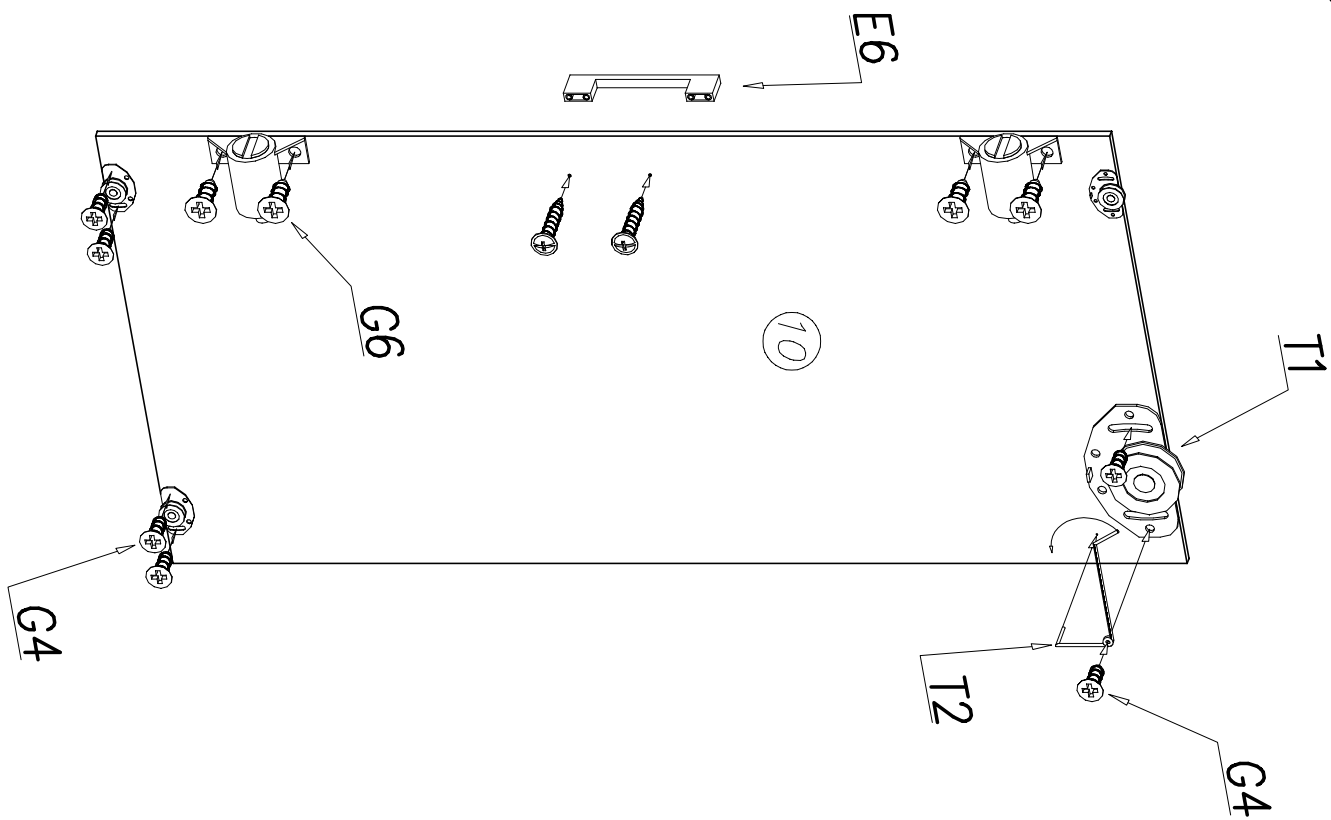


		G11  4x20 x2	T20  x1	S1  1621mm x2
T1  x8	T2  x4	L3  x4	K6  x2	K1  ø15x12 x16
S2  x23	W1  x4	E6  x2	G6  3x13 x18	K15  x12
S5  966mm x1	P3  x8	G8  4x30 x4	G2  3x20 x90	G4  4x16 x16
A1  ø7x50 x32	B7  ø8x30 x74	W2  x1	M2  x4	S4  x2

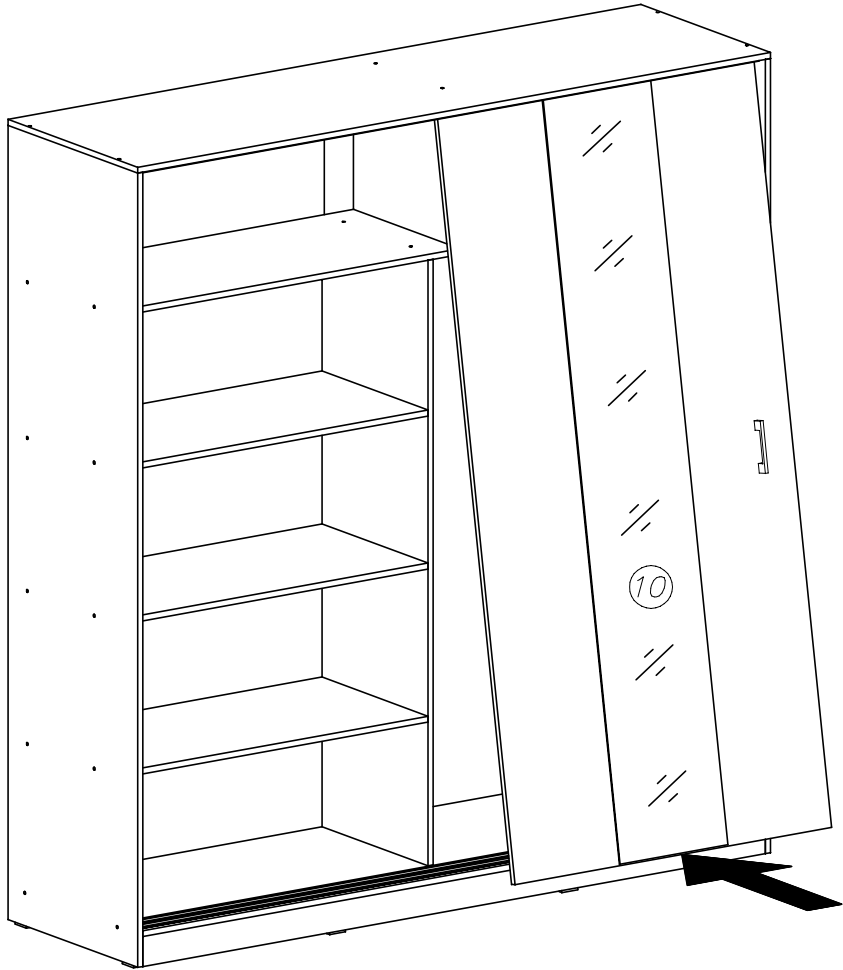
1



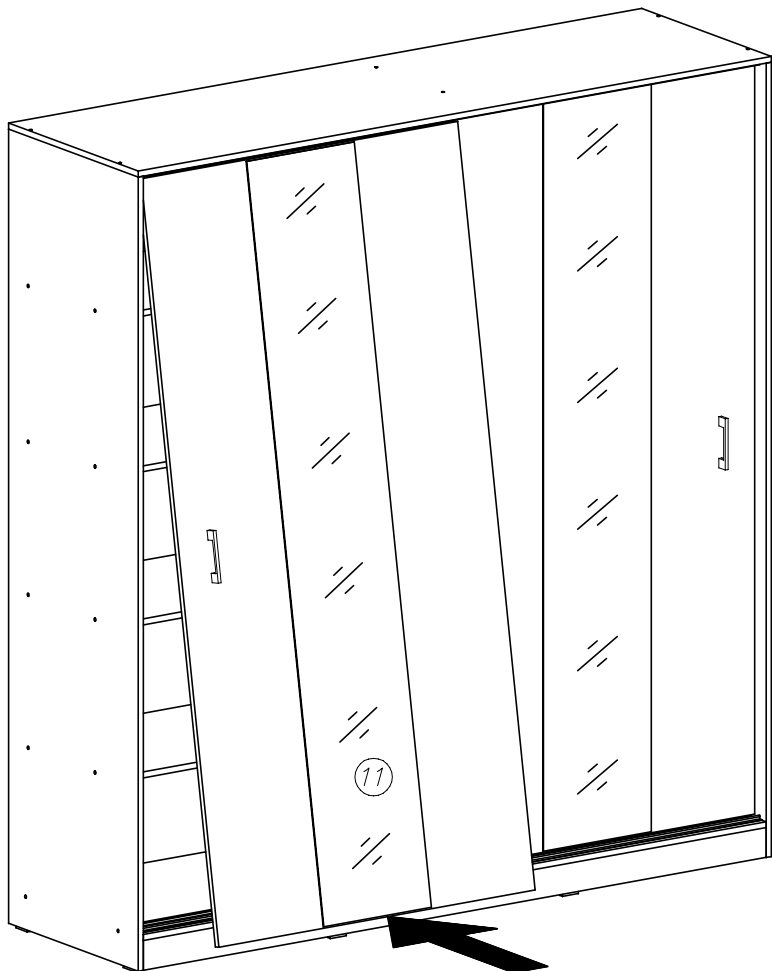




IV



V



VI

