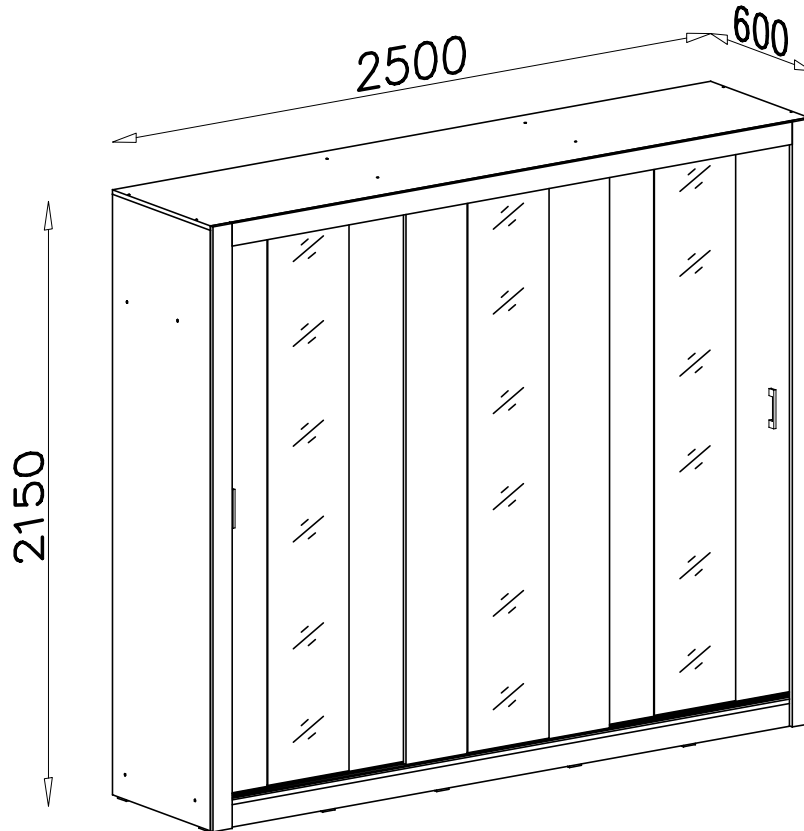
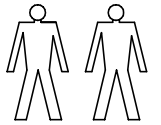
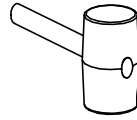
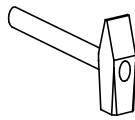
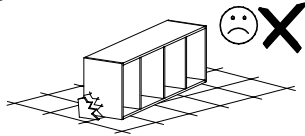
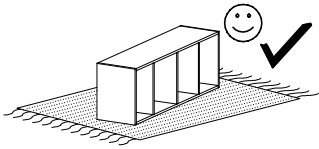
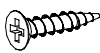
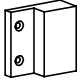

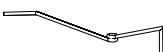
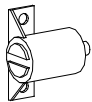
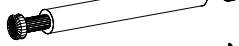
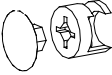




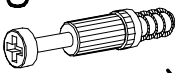
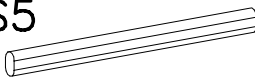
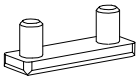
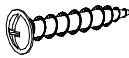
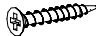



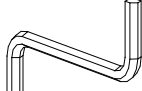
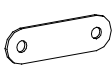
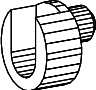
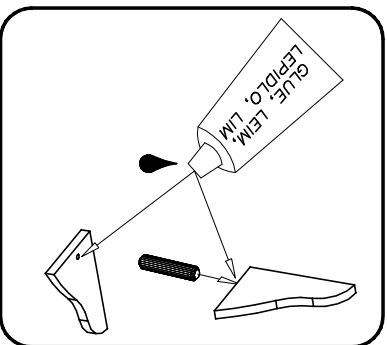
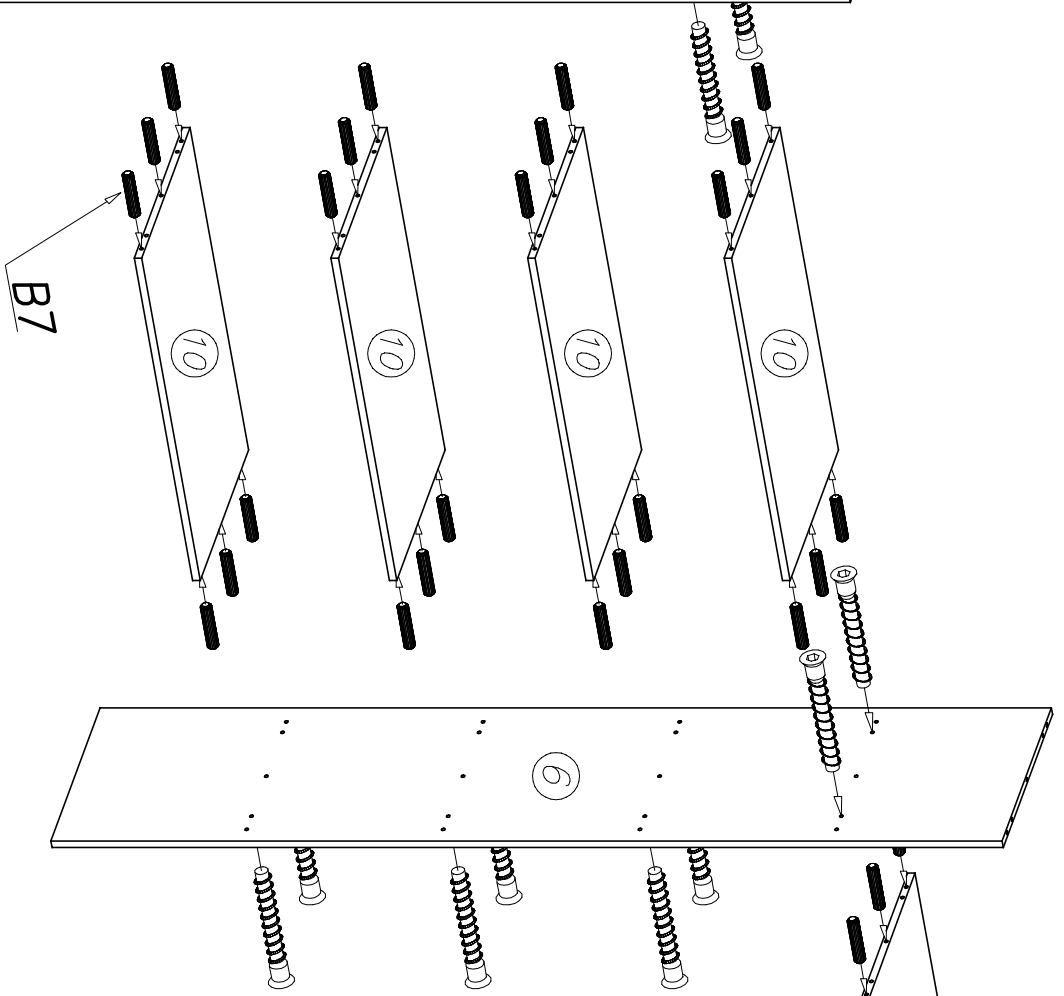
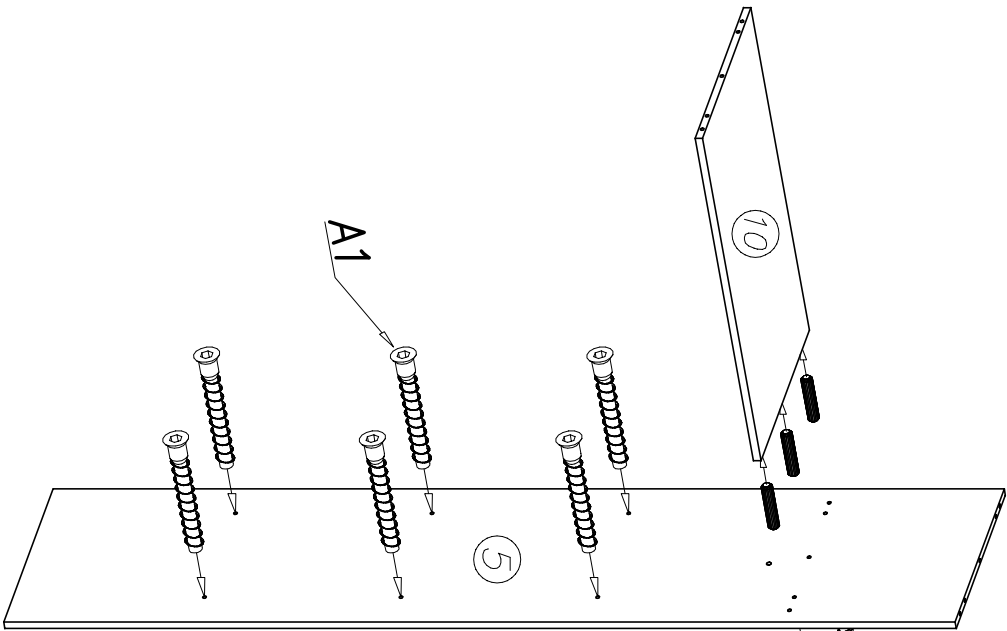
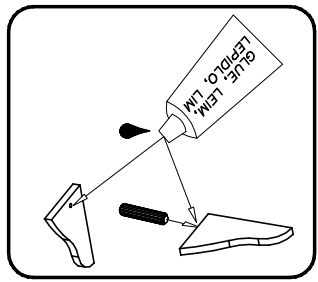
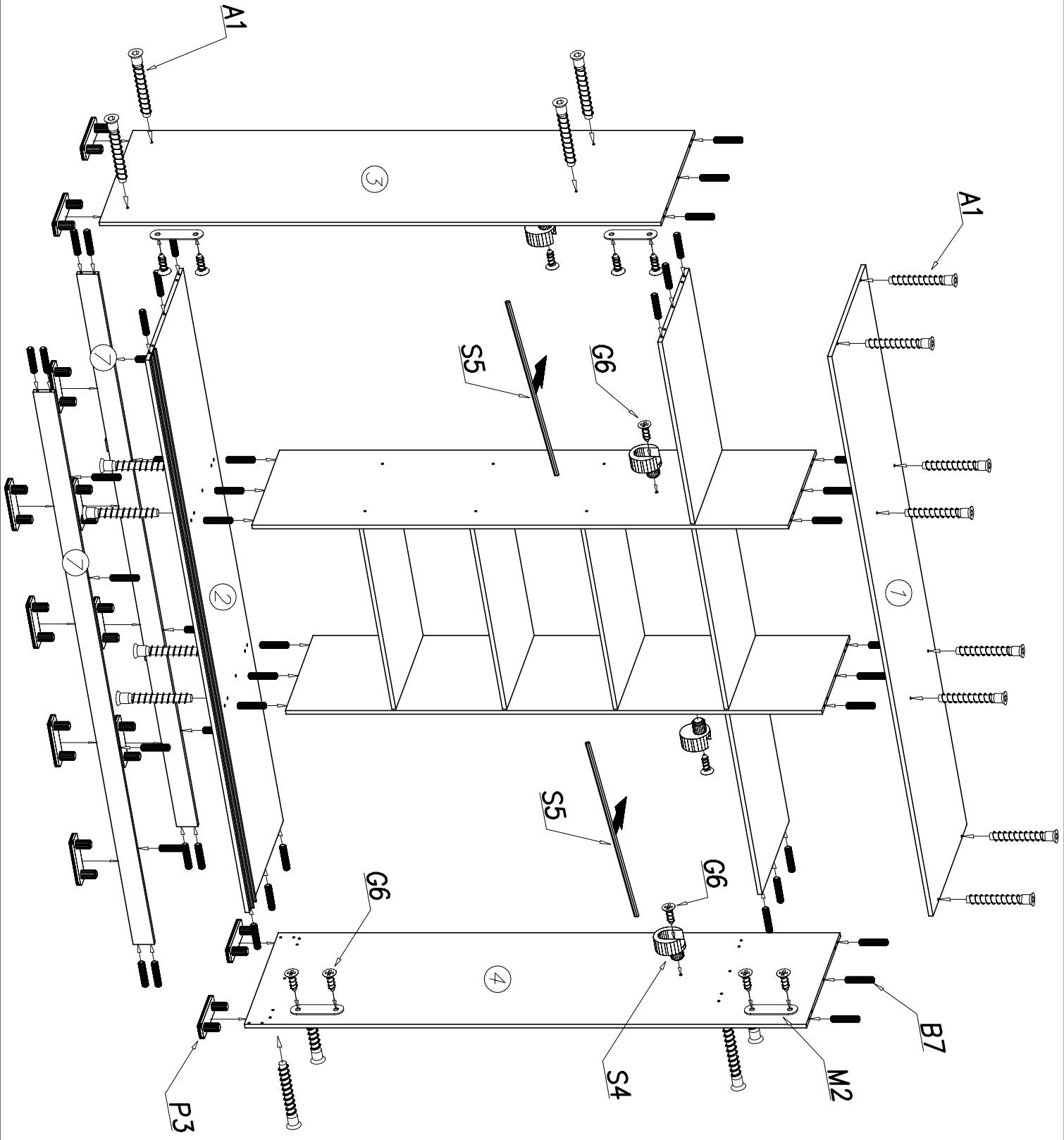


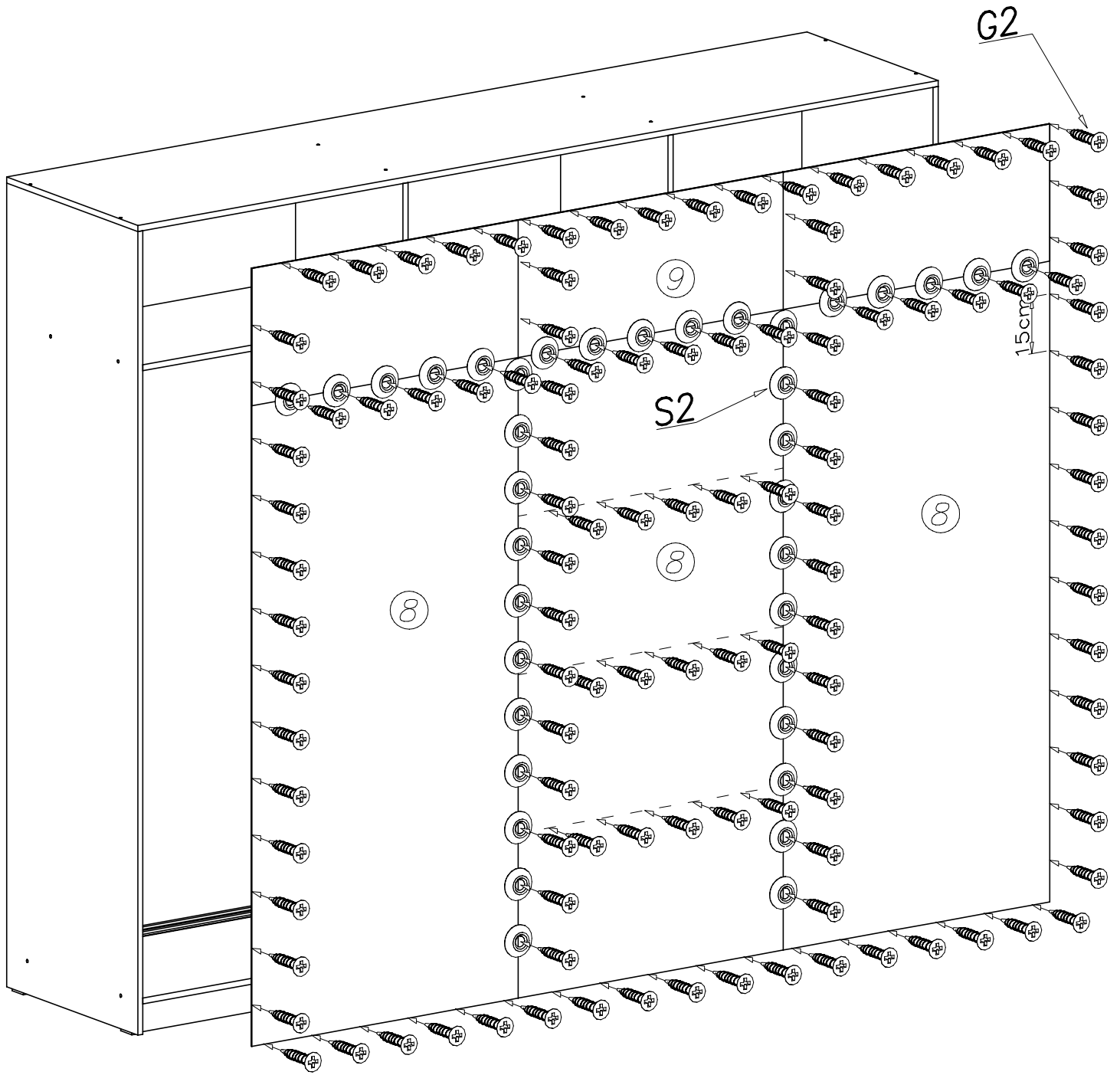
DUCA DC I



			G11  4x20 x4	T20  x2
T1  x12	T2  x6	L3  x4	K6  x2	K1  ø15x12 x16
S2  x37	W1  x5	E6  x2	G6  3x13 x20	K15  x12
S5  801mm x2	P3  x12	G8  4x30 x4	G2  3x20 x120	G4  4x16 x24
A1  ø7x50 x36	B7  ø8x30 x90	W2  x1	M2  x4	S4  x4

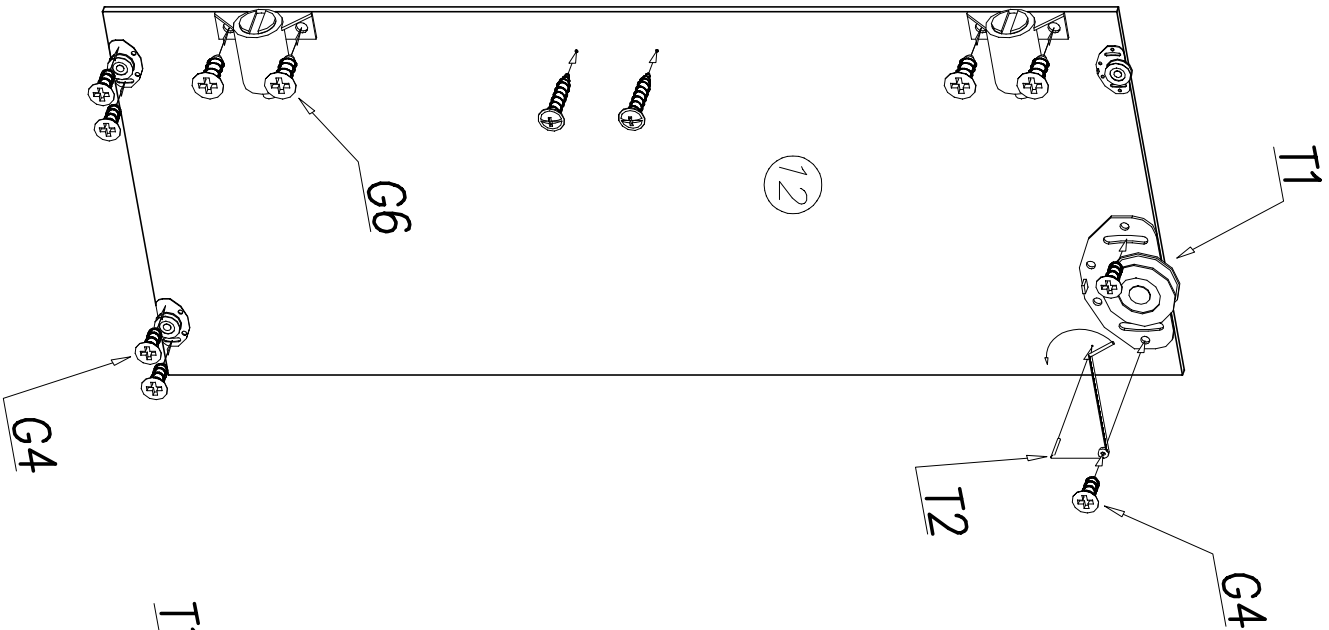




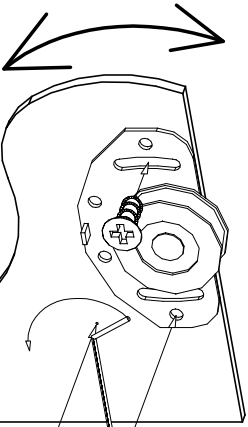


IV

E6



12



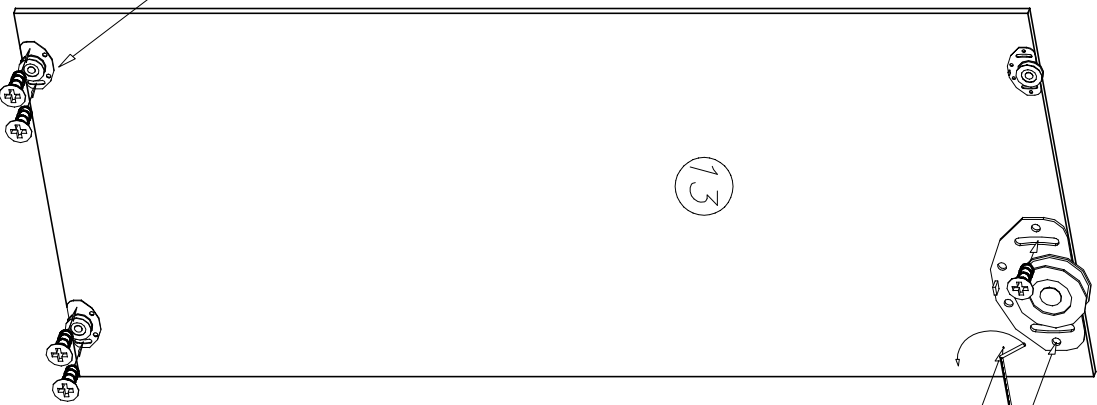
G4

T2

T1

G4

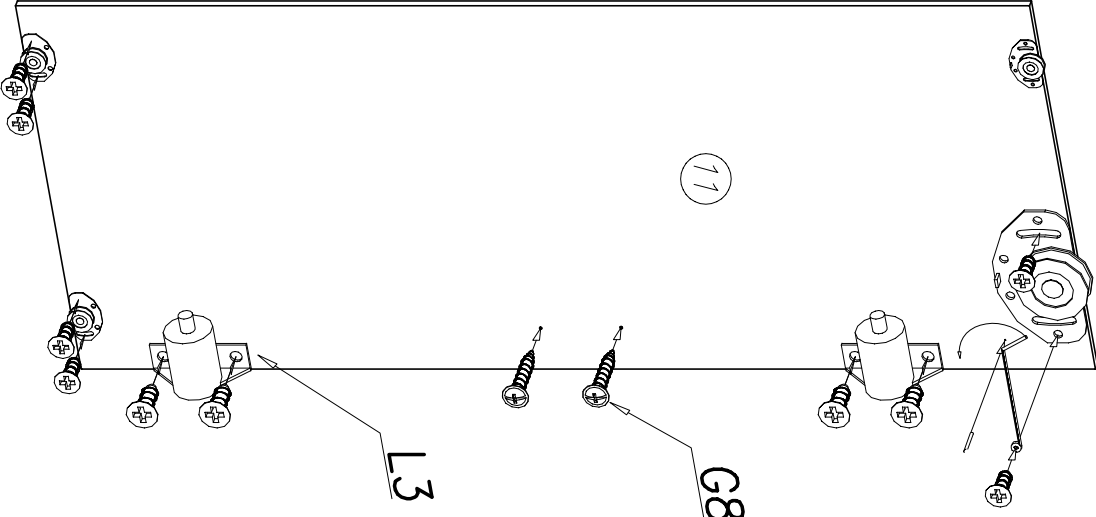
13



T2

G4

11



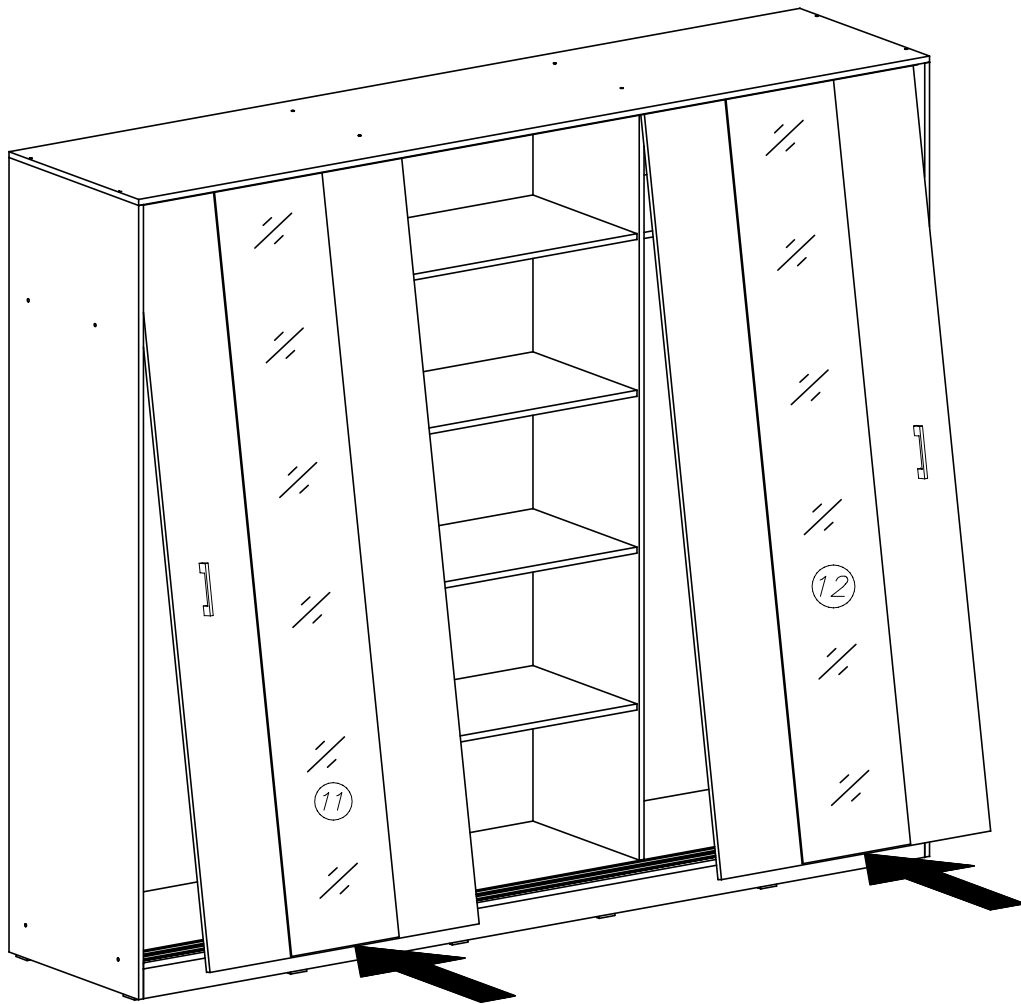
G8

L3

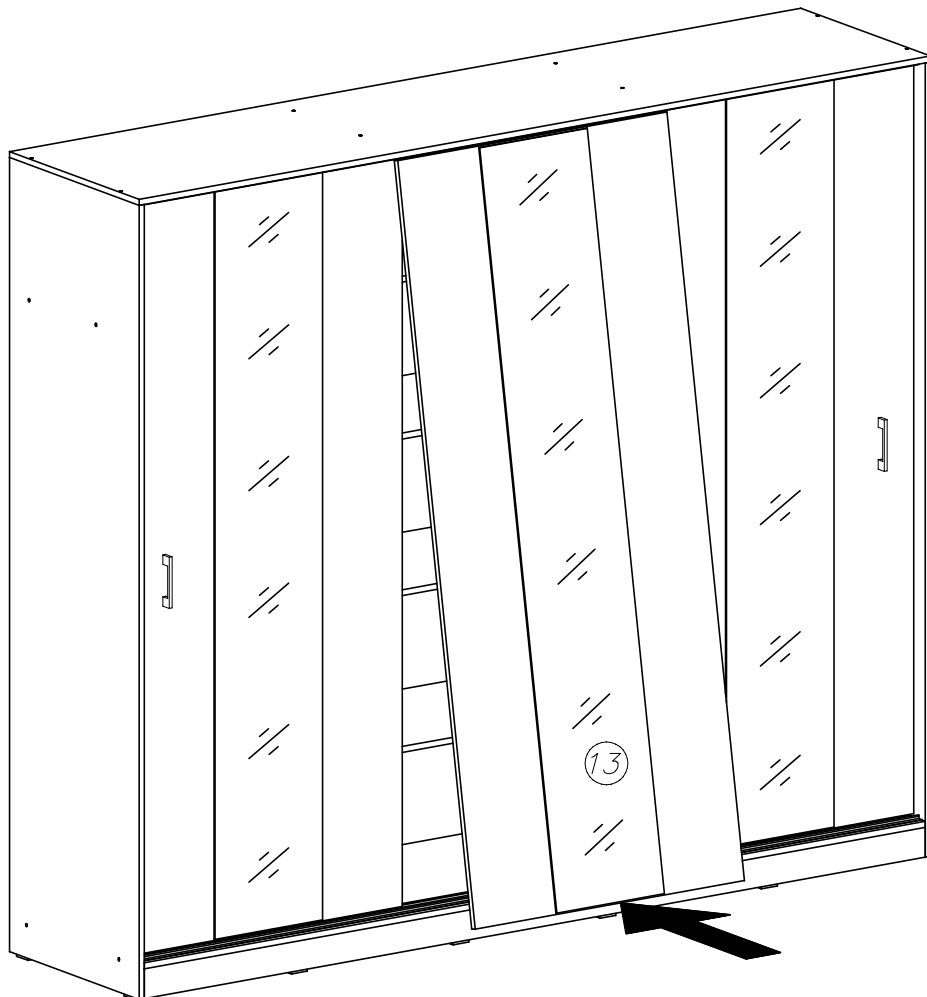
T1

G4

V



VI



VII

