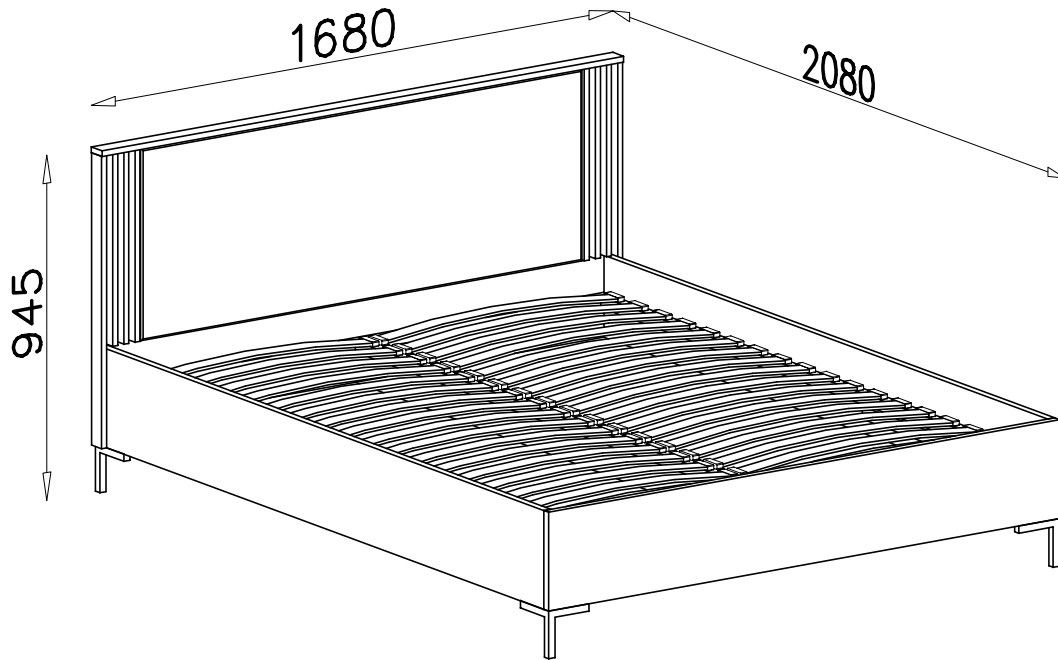
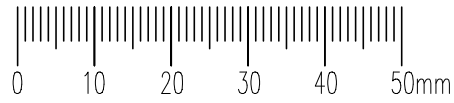
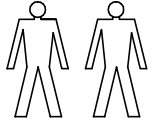
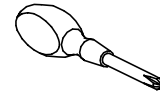
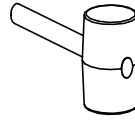
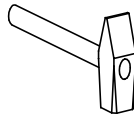
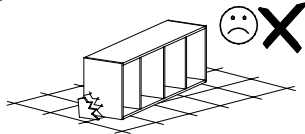
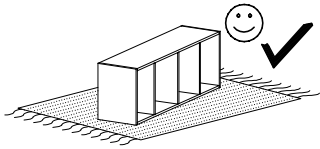
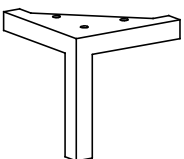


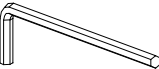

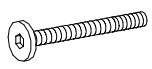

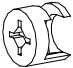
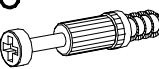
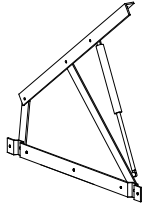
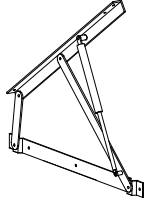

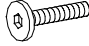
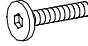

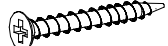





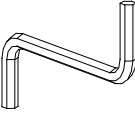

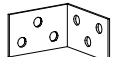
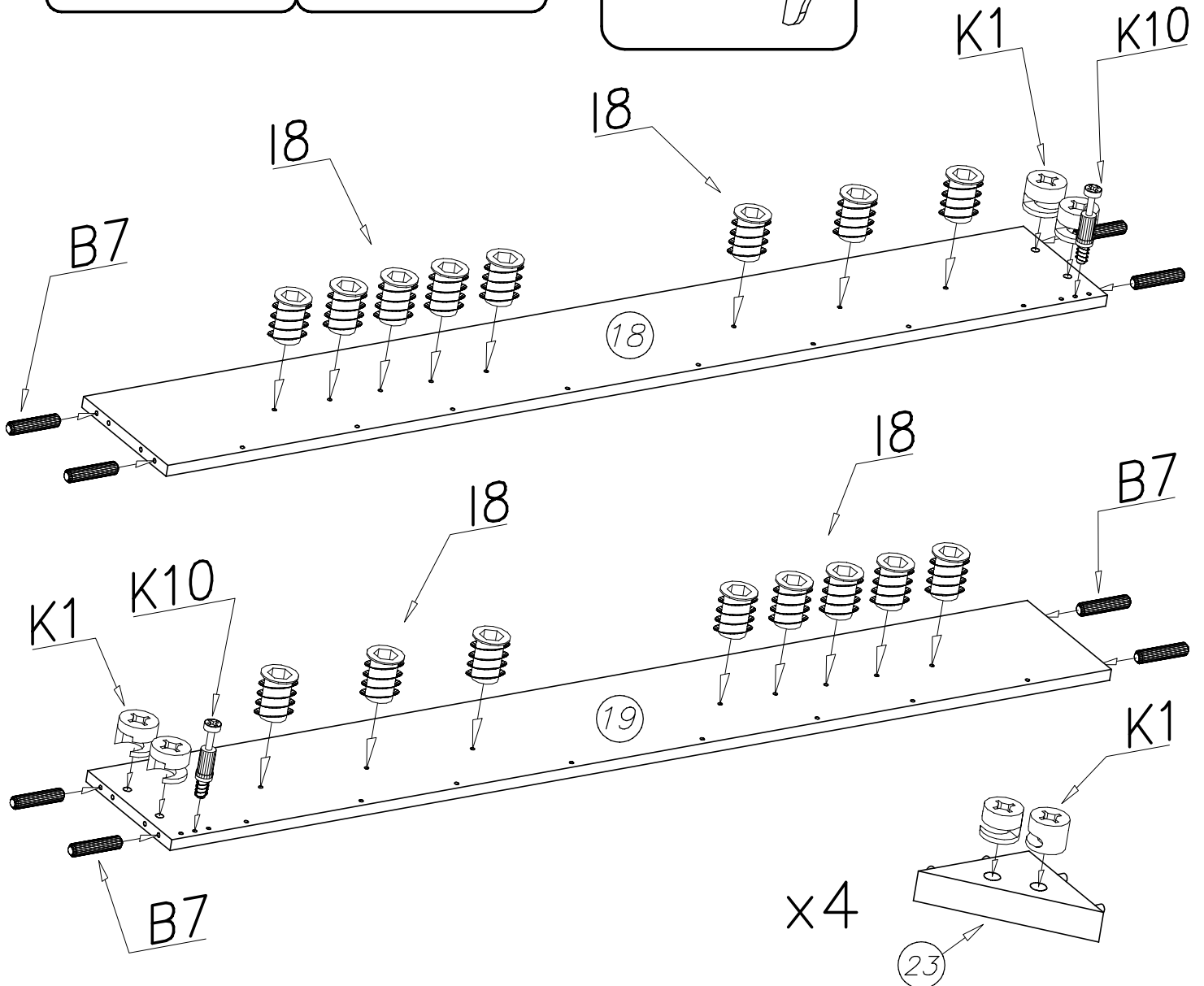
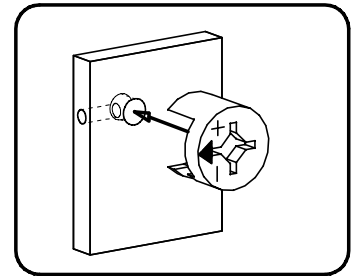
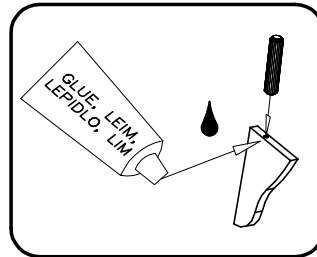
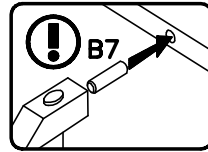
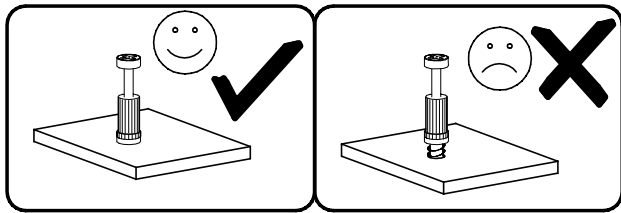
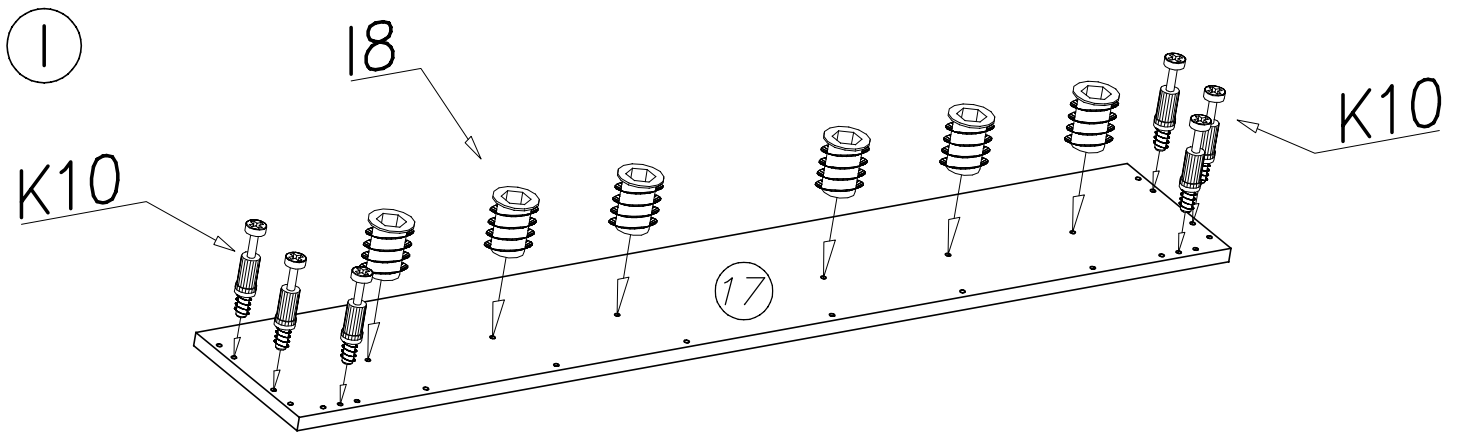


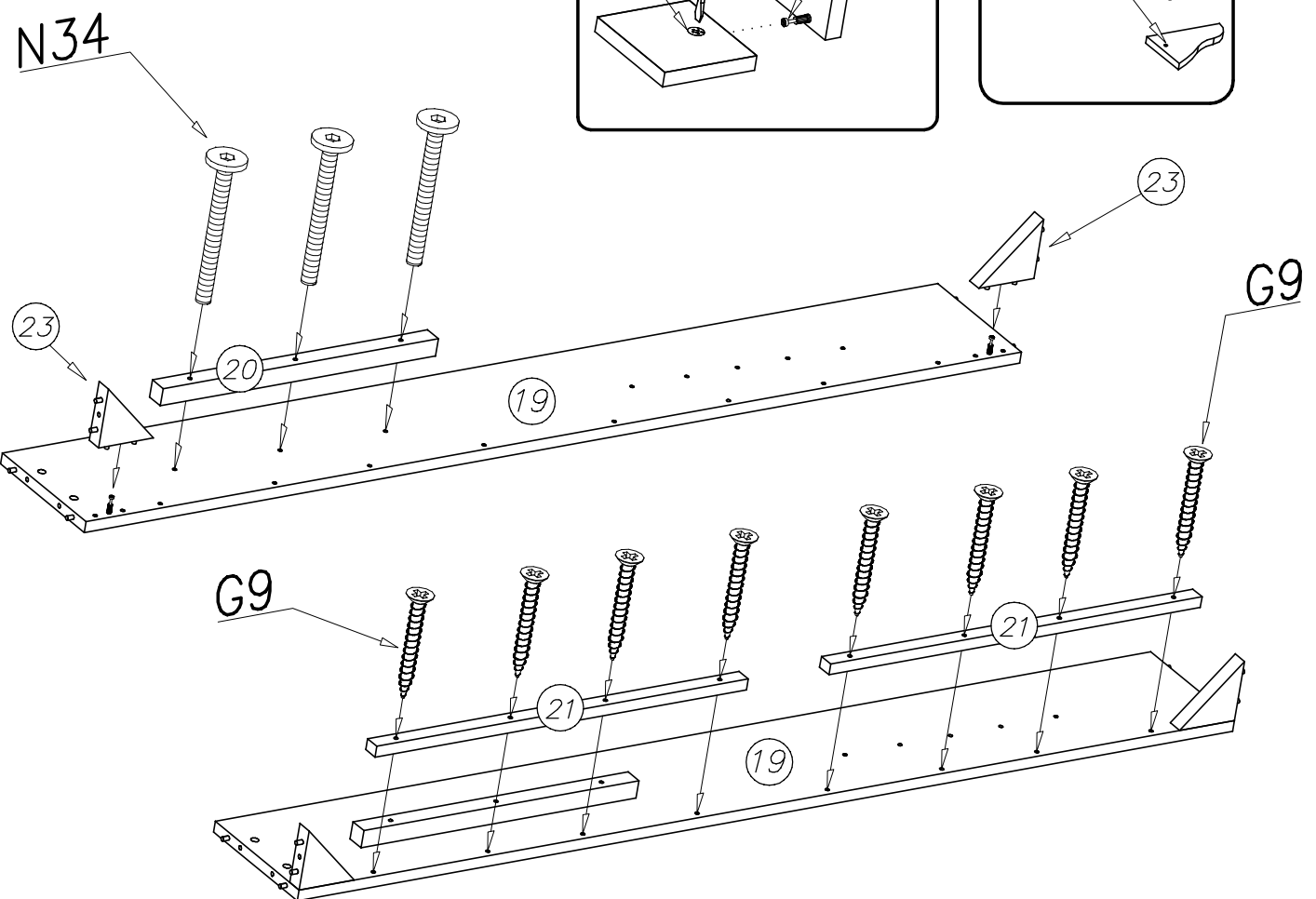
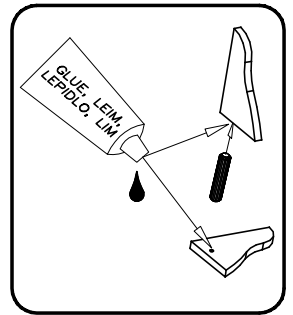
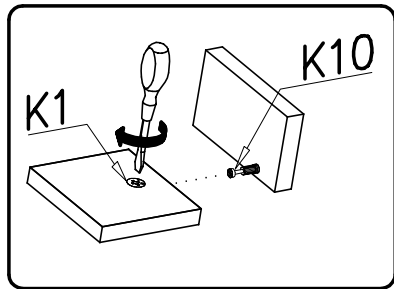
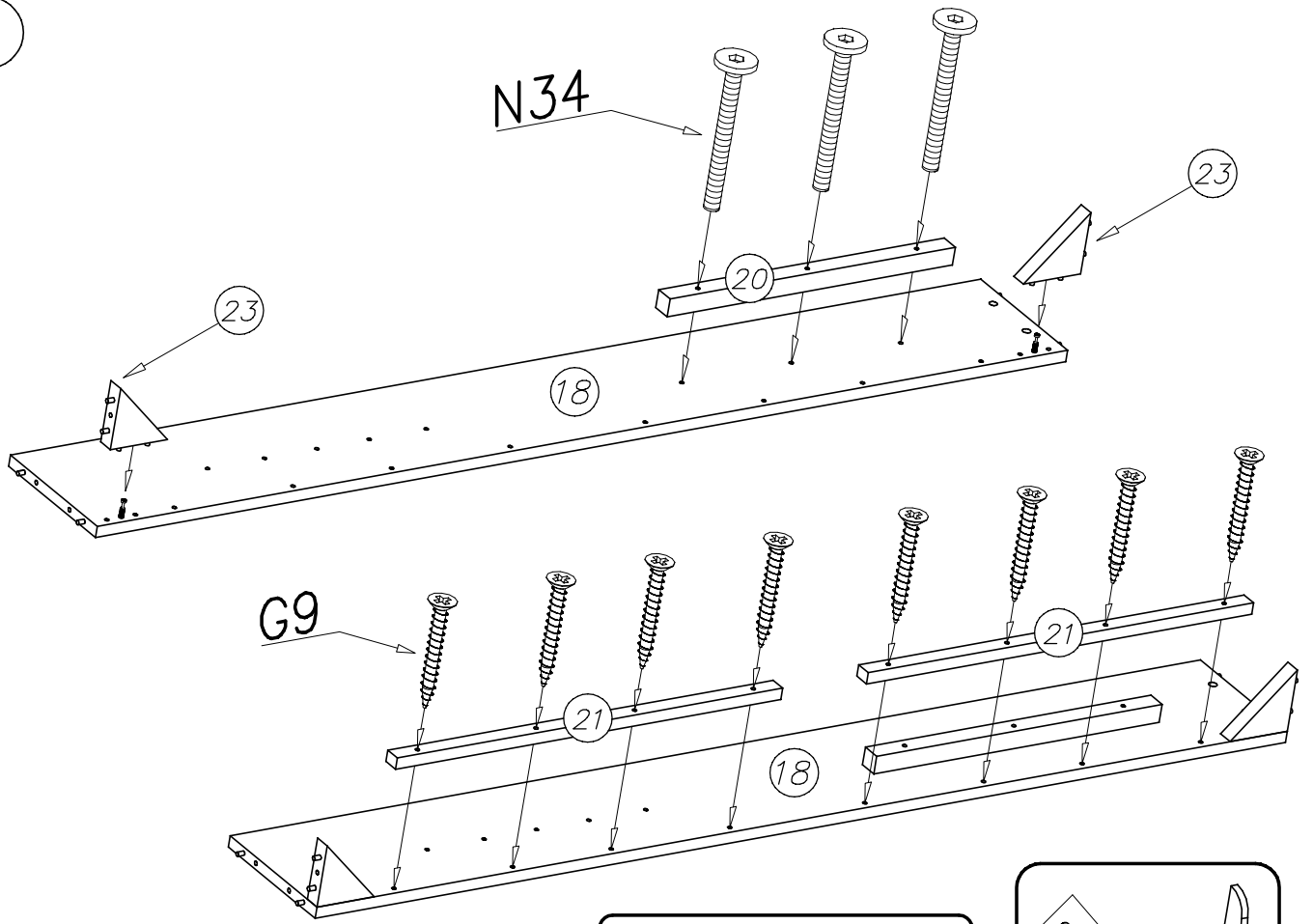
ALLMO AL 19



P13  x4	G44  6x16 x12			
	M8  M6x85 x1	W3  6mm x1	G8  4x30 x24	N34  M6x50 x12
Q5  100mm x1	K1  ø15x12 x12	K10  x12	7L  x1	7P  x1
Q6  128mm x1	N35  M6x25 x6	N36  M6x20 x10		
G11  4x20 x12	G9  3,5x35 x28	I8  x28	A5  ø7x60 x2	B2  ø6x30 x18
A1  ø7x50 x4	B7  ø8x30 x22	W2  x1	W1  GLUE, LEIM, LEPIDLO, LIM x1	M3  50x50x25 x2

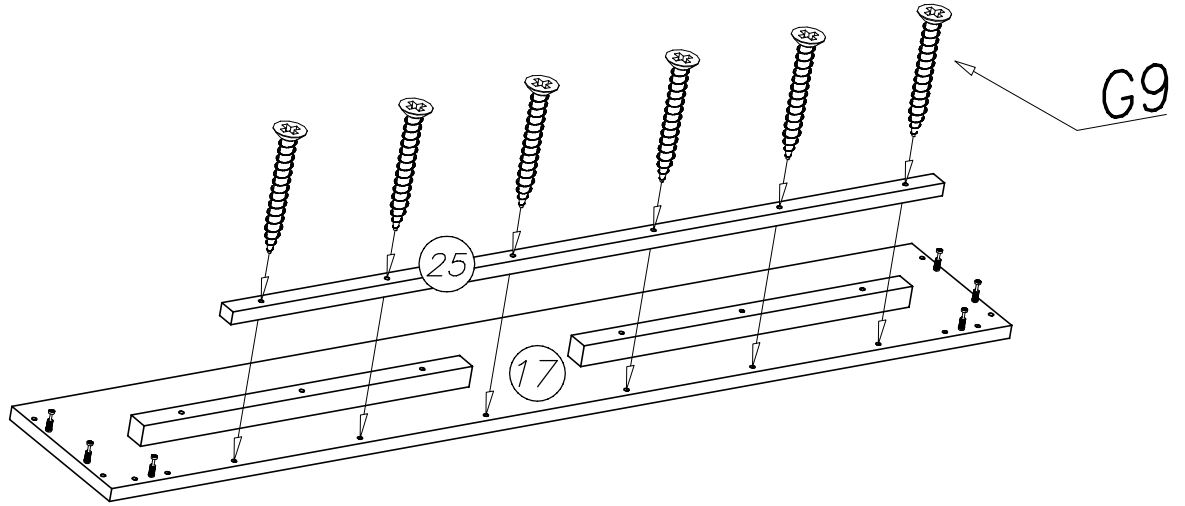
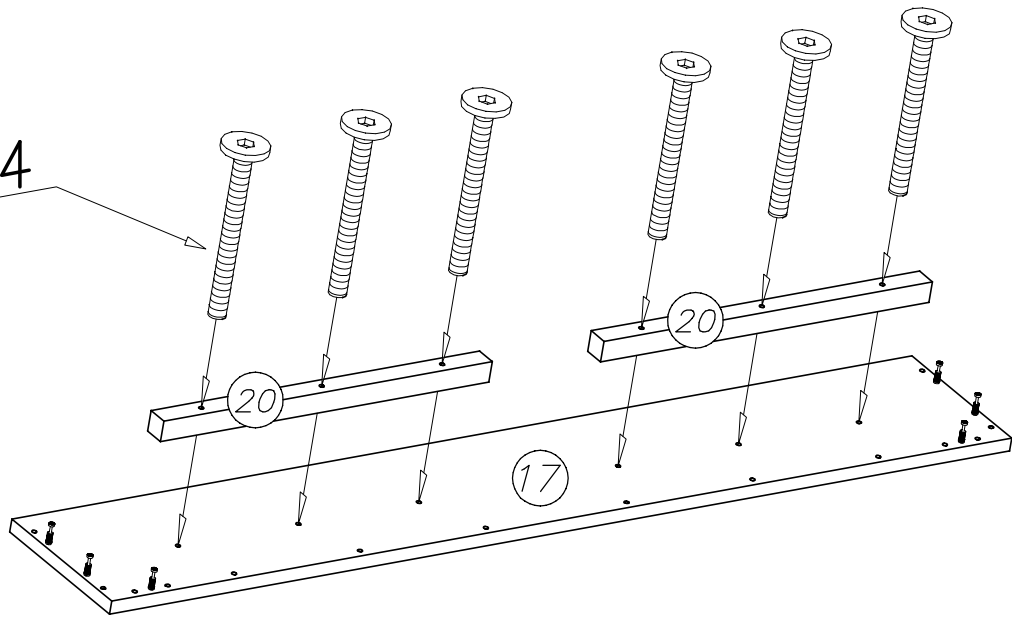


II



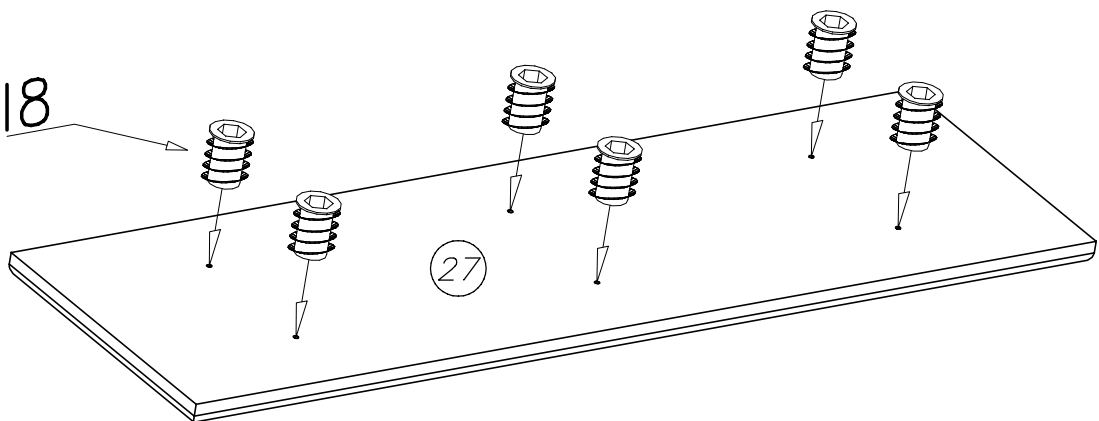
III

N34

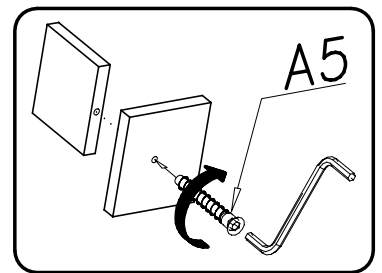
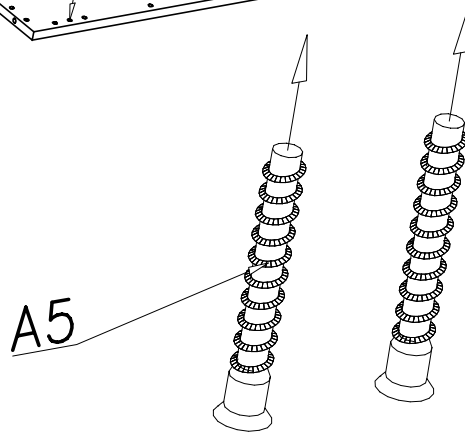
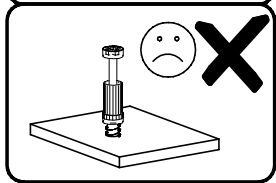
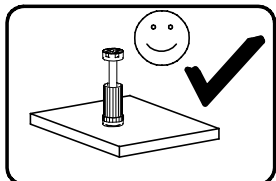
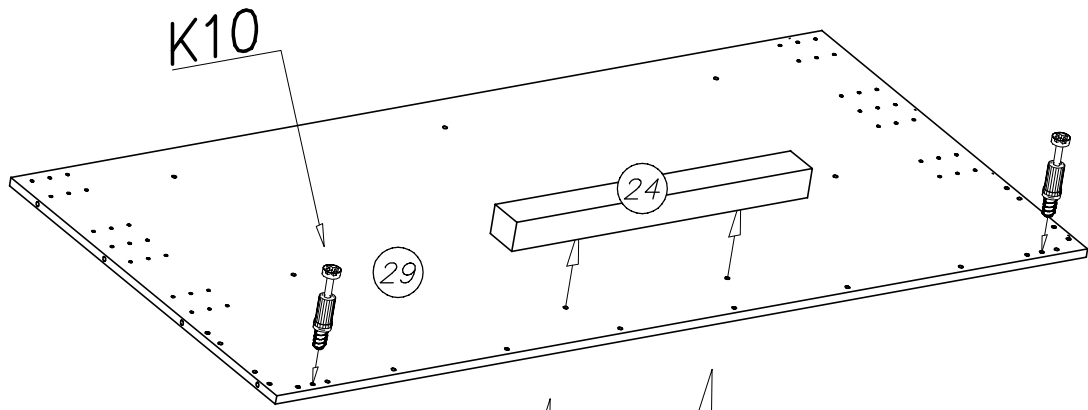


IV

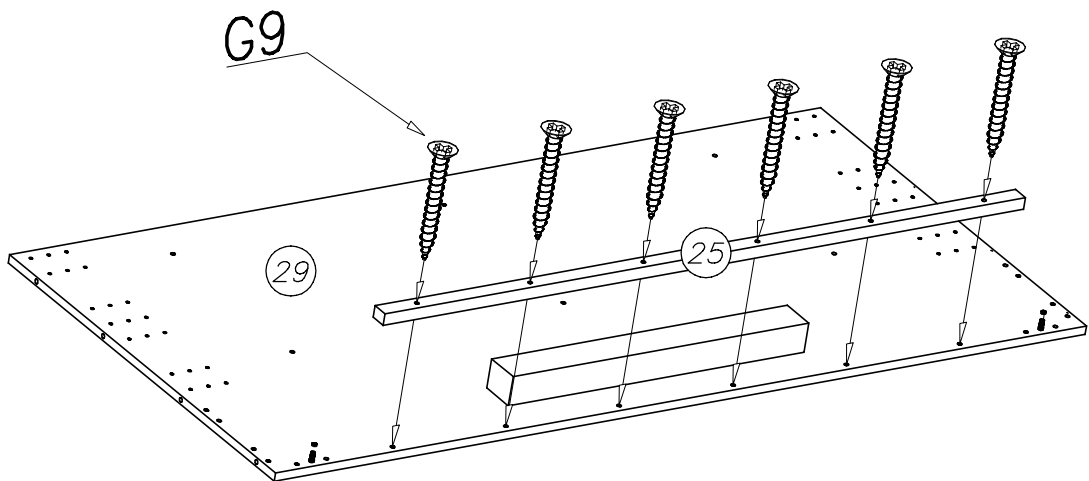
18



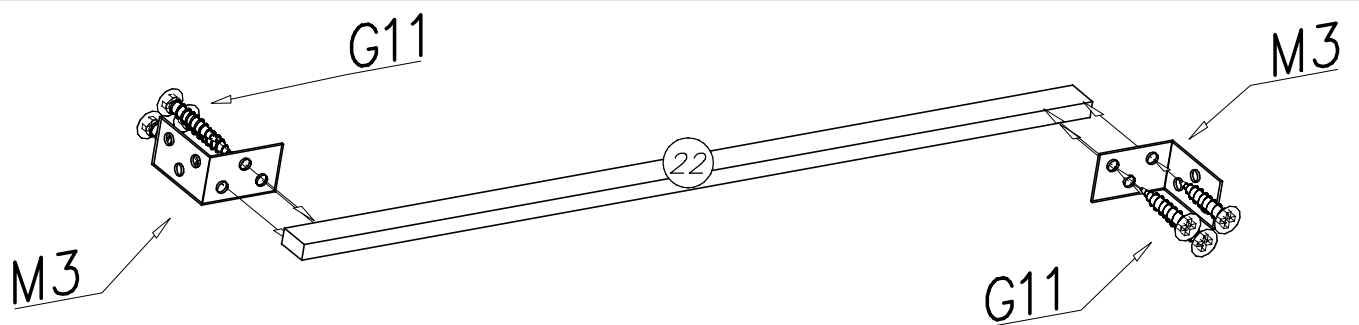
V



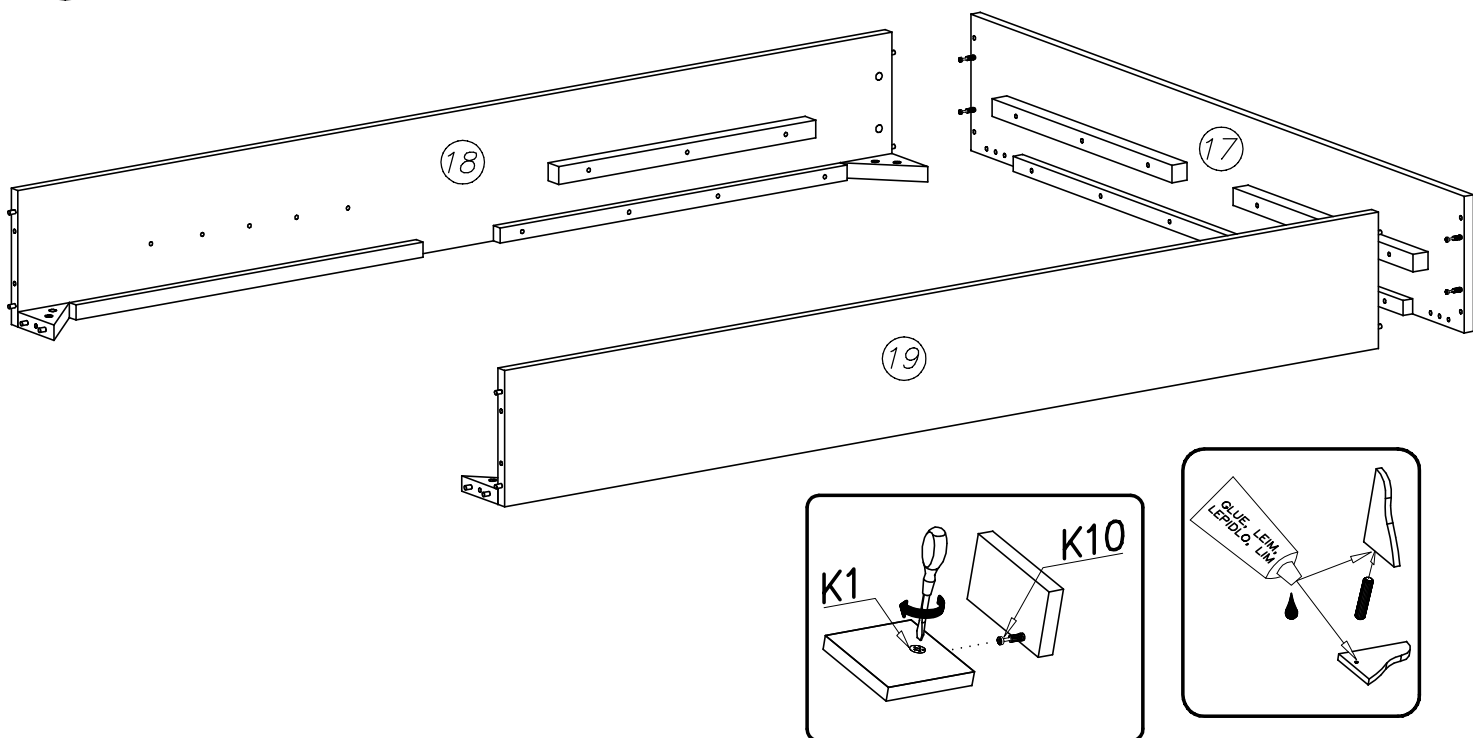
VI



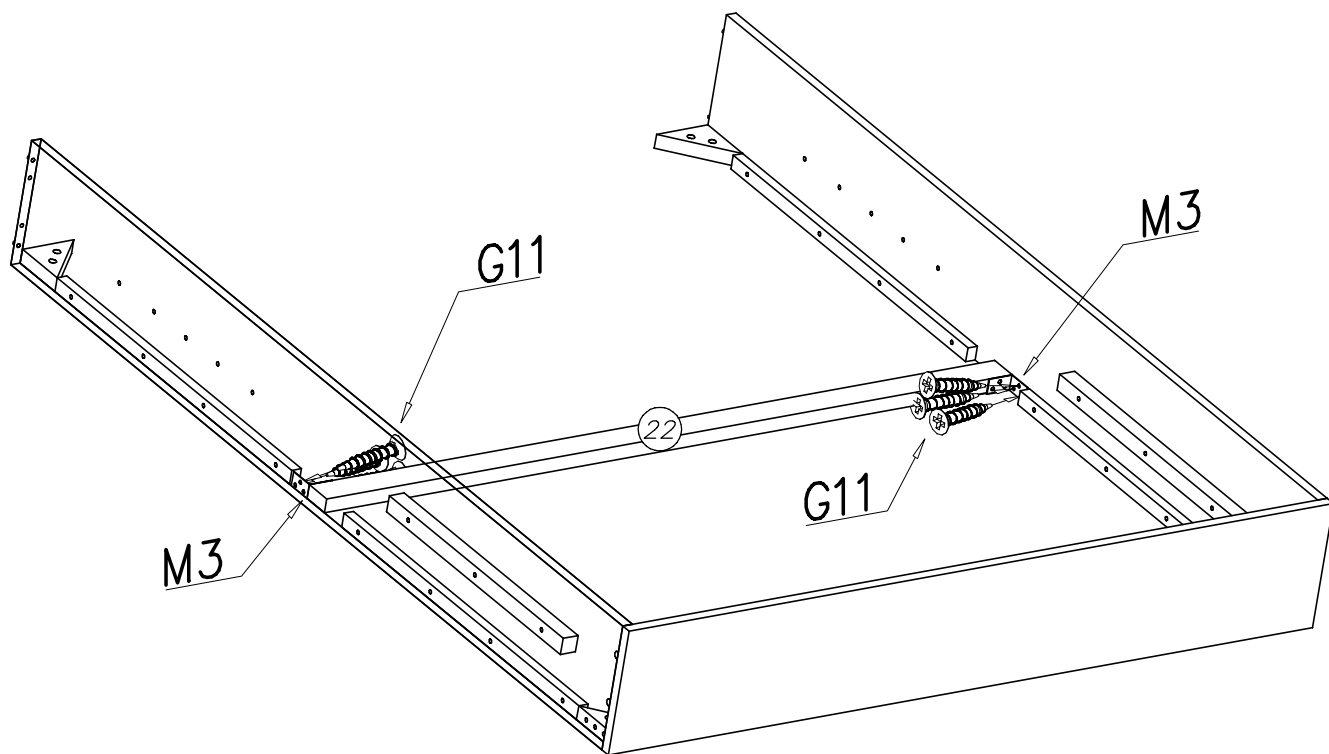
VII



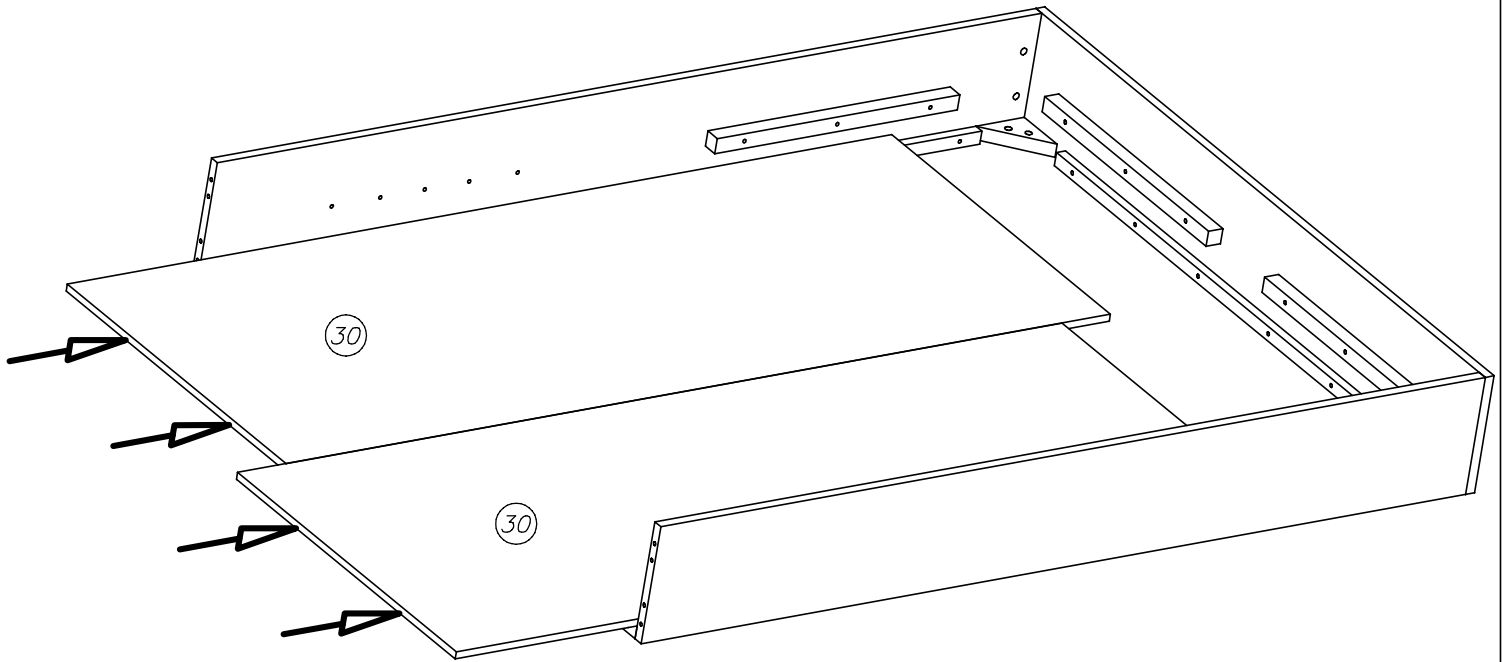
VIII



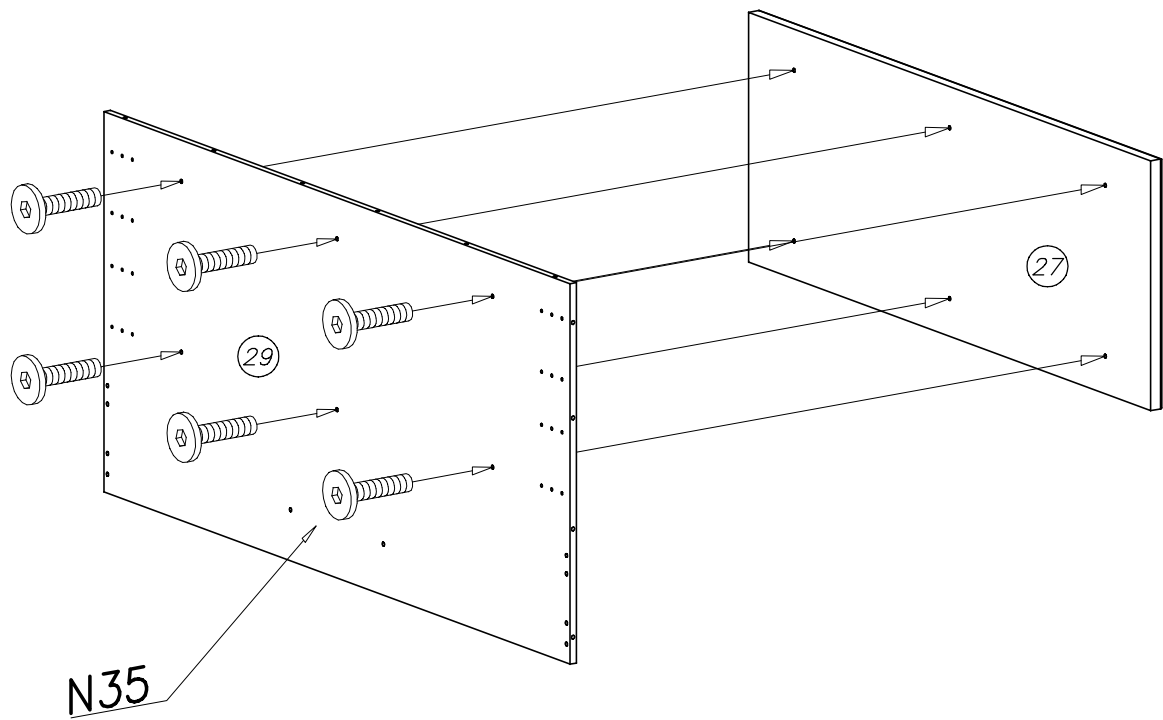
IX



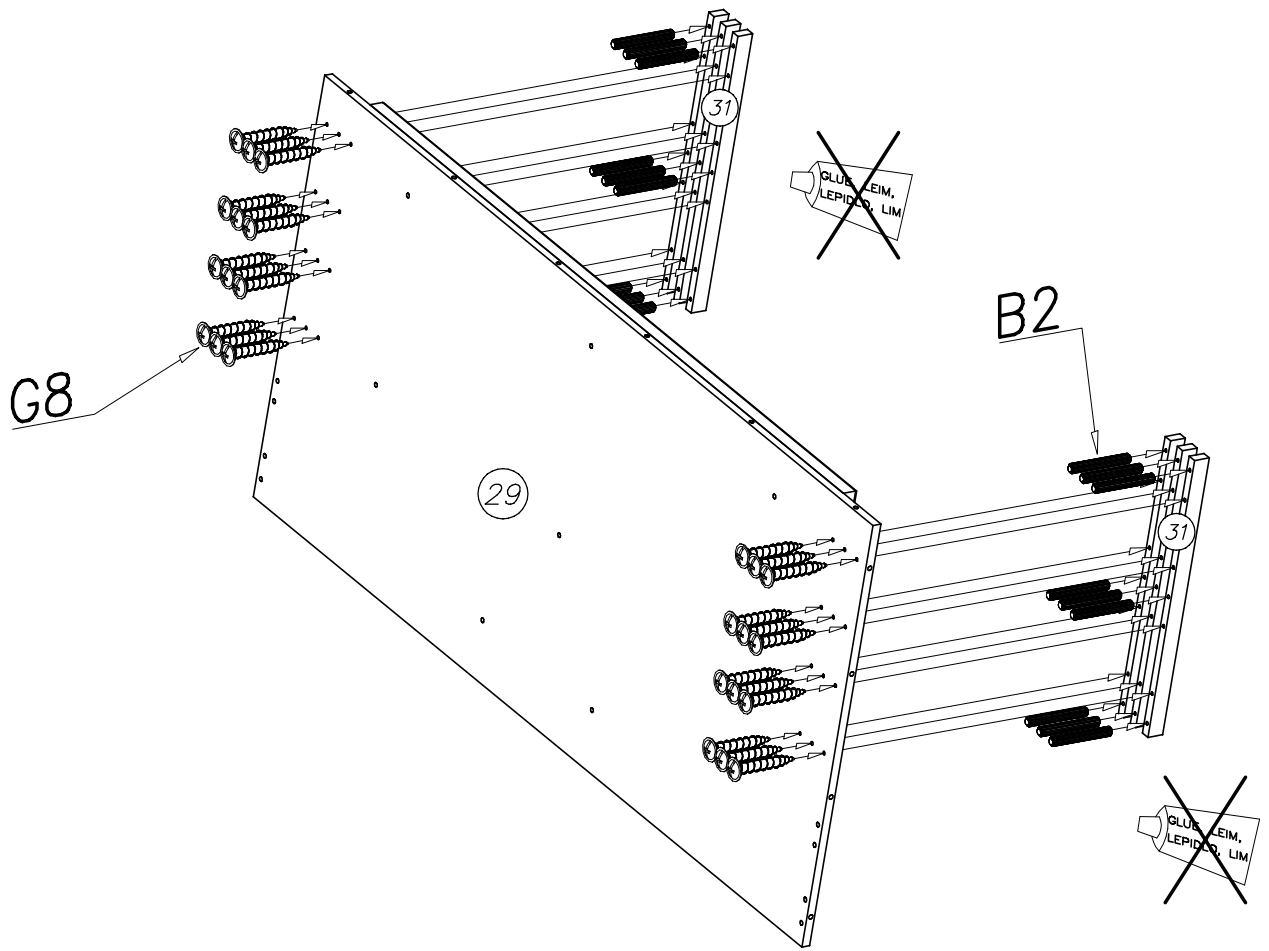
X



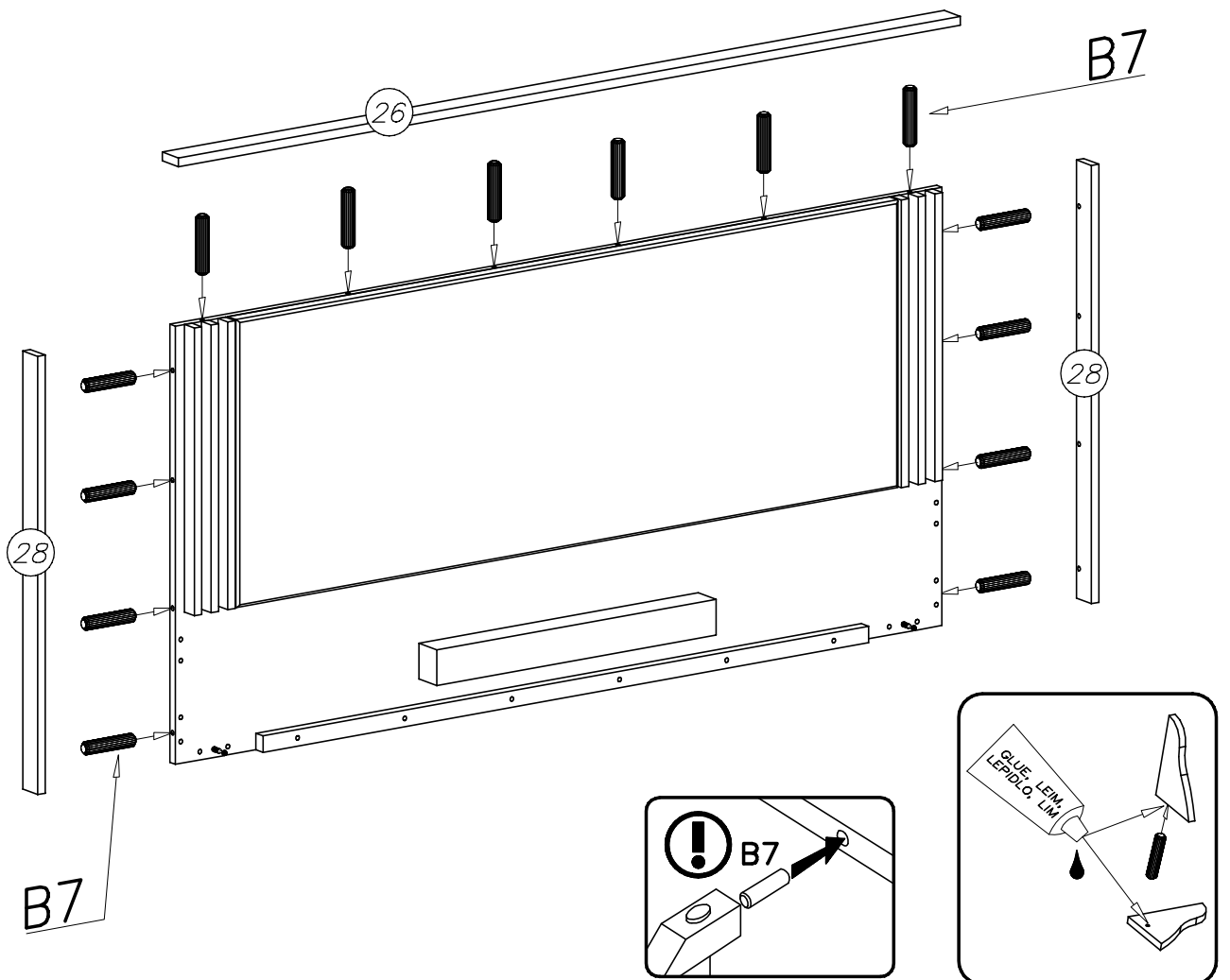
XI



XII



XIII



XIV

